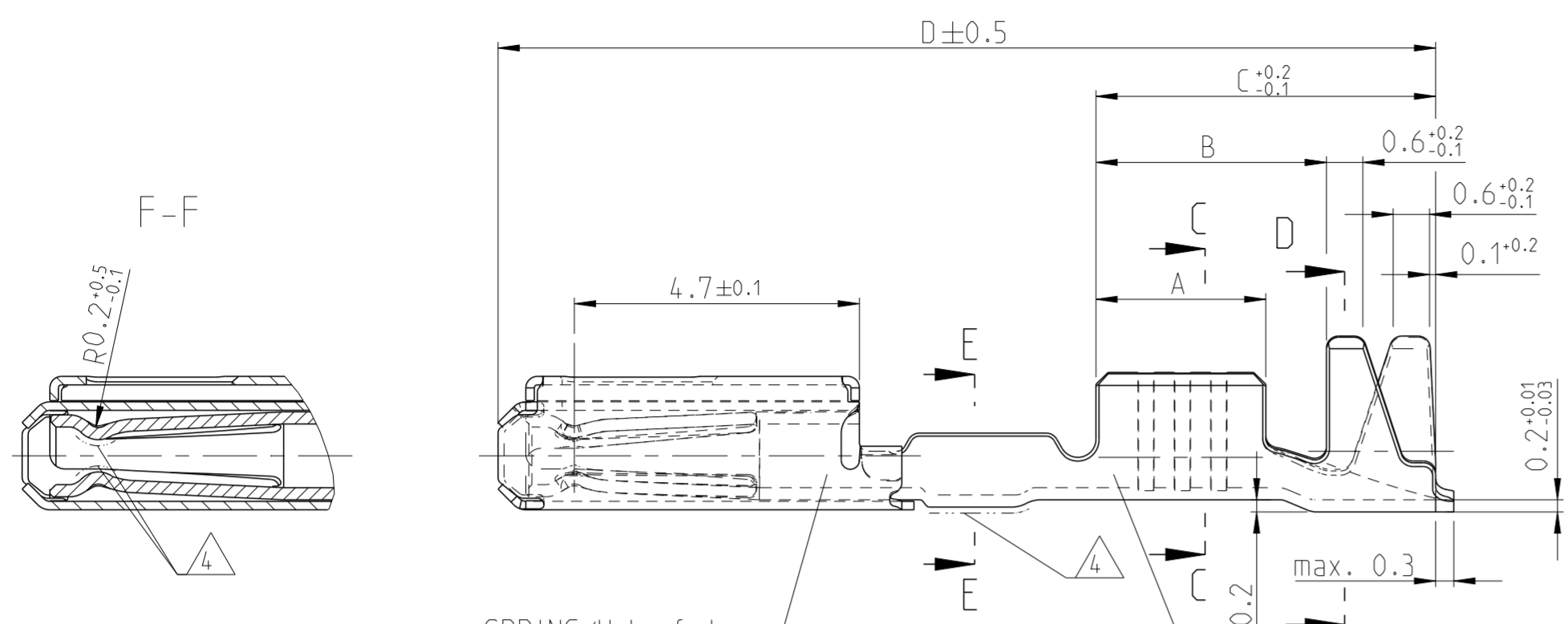


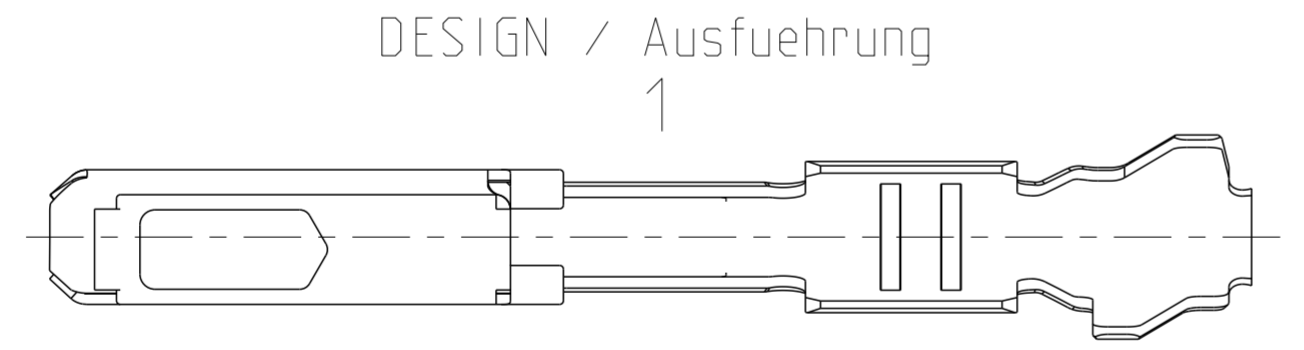
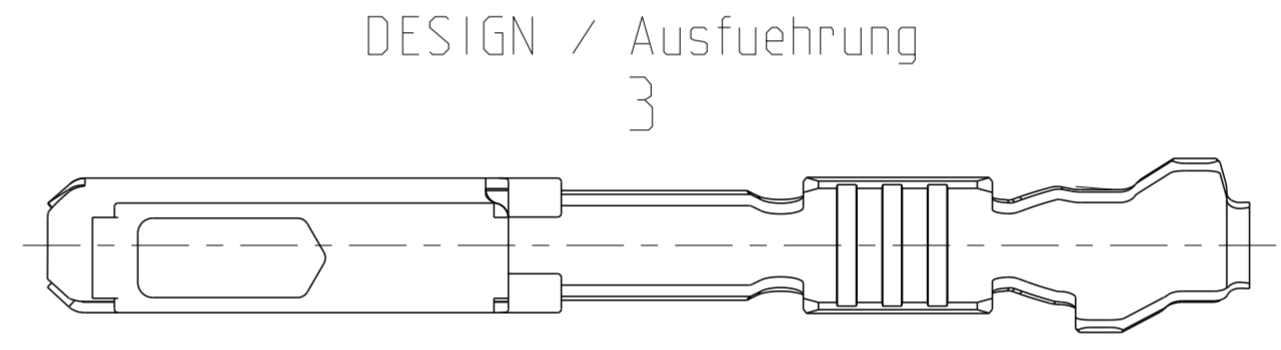
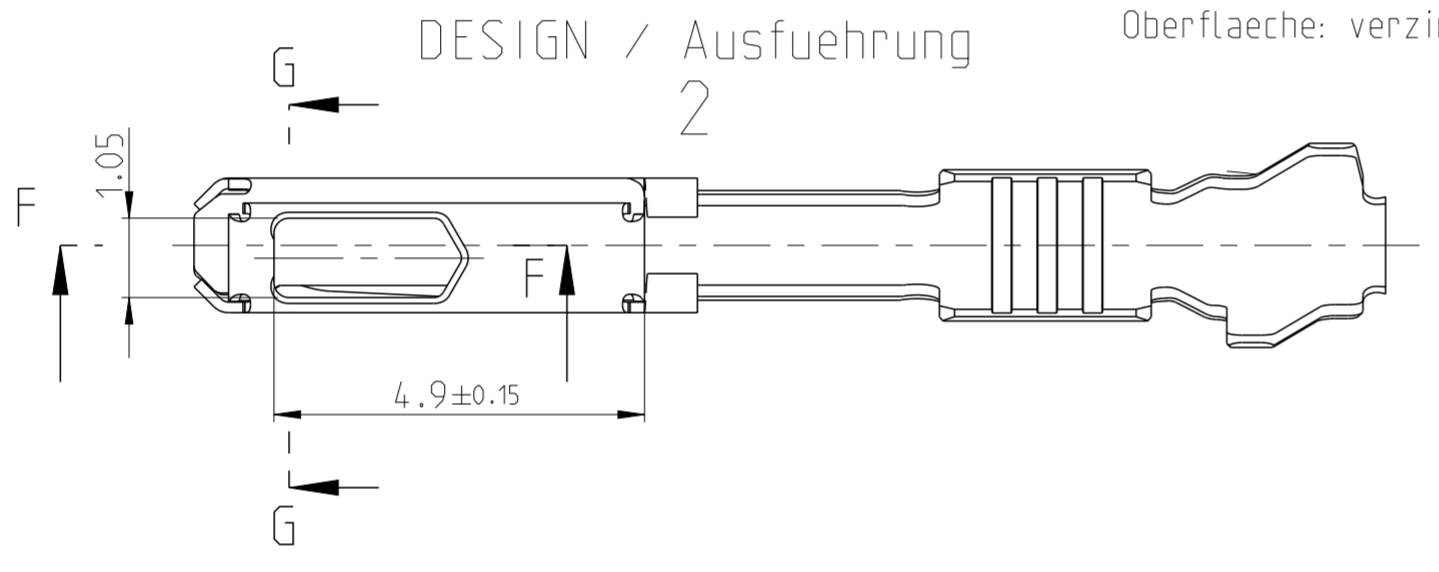
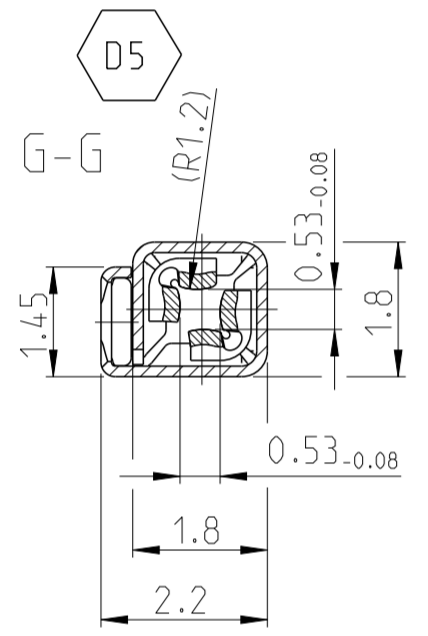
THIS DRAWING IS UNPUBLISHED. RELEASED FOR PUBLICATION 2009
 © COPYRIGHT 2009 ALL RIGHTS RESERVED.

LOC		DIST		REVISIONS			
P	LTR	DESCRIPTION	DATE	DWN	APVD		
A1	-						
	D2	PN 5- -1 NOT YET AVAILABLE (ECR-11-001006)	14 JAN2011	Abr	Brun		
	D3	NEW PROE DRAWING (ECR-12-003912)	01MAR2012	Abr	Brun		
	D4	LP variants removed. ECR-13-015135	30SEP2013	Abr	Brun		
	D5	See PCN E-19-011079	09DEC2019	MAH.	BERG		



SPRING/Ueberfeder
 MATERIAL: X10CrNi 18 8
 SURFACE: PLAIN
 Oberflaeche: blank

BODY/Kontaktkoerper
 MATERIAL: CuNiSi
 SURFACE: TINNED
 Oberflaeche: verzinkt



NOTES
 Bemerkungen

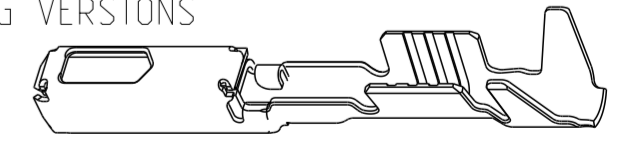
- 1 SUITABLE FOR PIN CONTACT SEE DRAWING: TE: 929453
 Passend zu Stiftkontakt siehe Zeichnung: TE: 929453
- 2 FOR FLR-CONDUCTOR ACCORDING TO DIN 72551-6 ONLY
 Nur fuer FLR-Leitung nach DIN 72551, Teil 6
- 3 DETAILS OF DESIGN ARE LEFT TO MANUFACTURER
 Einzelheiten der Ausfuehrung bleiben dem Hersteller ueberlassen

4 SELECTIVE GOLD PLATED
 Selektiv vergoldet

5 DATE CODE (WEEK/YEAR E.G. WEEK NUMBER 18/YEAR2011)
 AND TE REVISION (E.G. REV. A)
 Datumscode (Woche/Jahr z.B. KW 18/Jahr2011)
 und TE Revision (z.B. Rev. A)



6 Varianten von Design1 werden durch die entsprechenden Versionen von Design2 und Design3 ersetzt
 VARIANTS OF DESIGN1 ARE SUPERSEDED BY CORRESPONDING VERSIONS OF DESIGN2 AND DESIGN3



5:1

ORDER NO. Bestell-Nr. Ausfuehrung	REV	ORDER NO. DESIGN Bestell-Nr. Ausfuehrung	REV	ORDER NO. DESIGN Bestell-Nr. Ausfuehrung	REV	WIRE SIZE RANGE DGB mm ²	SURFACE CONTACT AREA Oberflaeche Kontaktzone	LENGTH Laenge mm	WIRE CRIMP Drahtcrimp mm	INSU. CRIMP Iso' Crimp mm	WEIGHT Gewicht g
5-1241920-1	E	1241920-1	D			0.5-0.75	Au	A = 2.8 B = 3.8 C = 5.6 D = 15.6	E = 2 G = 2.1 Dr = 1	H = 2.7 K = 2.9 L = 0.7 D _{ISO} = 1.6	0.14
		1241918-1	D	5-1241918-1	A	D5 0.25-0.35	Au	A = 2.5 B = 3.6 C = 5.6 D = 15.6	E = 1.8 G = 1.8 Dr = 0.8	H = 2.3 K = 2.3 L = 0.6 D _{ISO} = 1.4	0.14
ORDER NO. DESIGN Bestell-Nr. Ausfuehrung	REV	ORDER NO. DESIGN Bestell-Nr. Ausfuehrung	REV	ORDER NO. DESIGN Bestell-Nr. Ausfuehrung	REV	WIRE SIZE RANGE DGB mm ²	SURFACE CONTACT AREA Oberflaeche Kontaktzone	LENGTH Laenge mm	WIRE CRIMP Drahtcrimp mm	INSU. CRIMP Iso' Crimp mm	WEIGHT Gewicht g
2		1		3							

DIMENSIONS/ Abmessungen

THIS DRAWING IS A CONTROLLED DOCUMENT.		DWN Abraham.G. 06AUG2003	TE Connectivity															
DIMENSIONS: mm		CHK Kampmann.H. 07AUG2003																
TOLERANCES UNLESS OTHERWISE SPECIFIED:		APVD Bleicher.M. 08AUG2003	NAME MQS															
	<table border="1"> <tr><td>Ø PLC</td><td>±</td></tr> <tr><td>1 PLC</td><td>±</td></tr> <tr><td>2 PLC</td><td>±</td></tr> <tr><td>3 PLC</td><td>±</td></tr> <tr><td>4 PLC</td><td>±</td></tr> <tr><td>ANGLES</td><td>±</td></tr> <tr><td>FINISH</td><td>±</td></tr> </table>	Ø PLC	±	1 PLC	±	2 PLC	±	3 PLC	±	4 PLC	±	ANGLES	±	FINISH	±	PRODUCT SPEC 108-18030	SKT CONTACT W. SHORT CIRCUIT AREA Produktgruppenzeichnung. Buchsenkontakt	
Ø PLC	±																	
1 PLC	±																	
2 PLC	±																	
3 PLC	±																	
4 PLC	±																	
ANGLES	±																	
FINISH	±																	
MATERIAL		APPLICATION SPEC 114-18021	SIZE A2	CAGE CODE 00779														
		WEIGHT -	DRAWING NO C-1703000	RESTRICTED TO -														
CUSTOMER DRAWING			SCALE 10:1	SHEET 1 OF 1														
			REV D5															