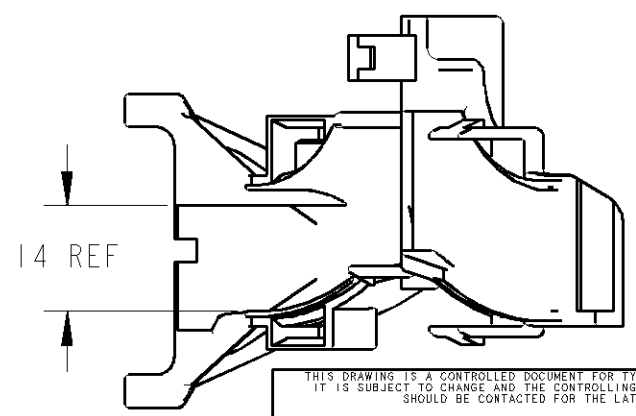
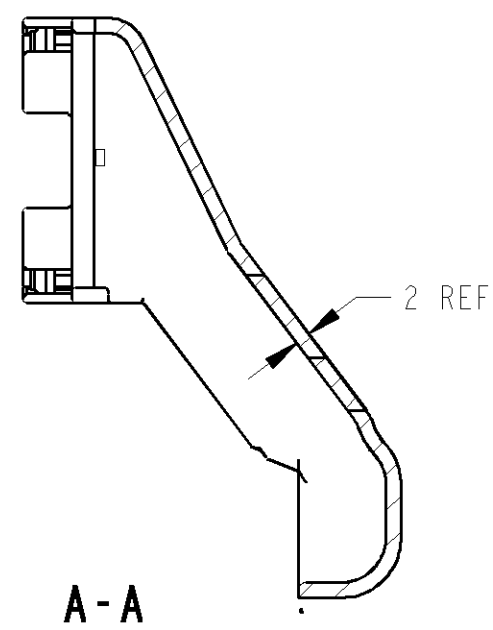
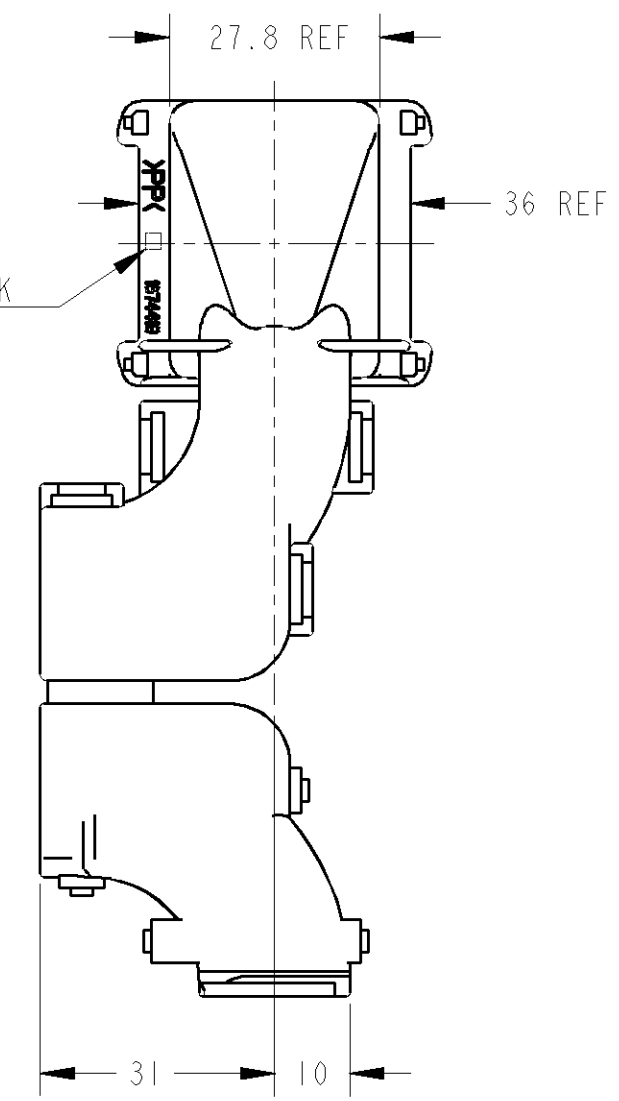
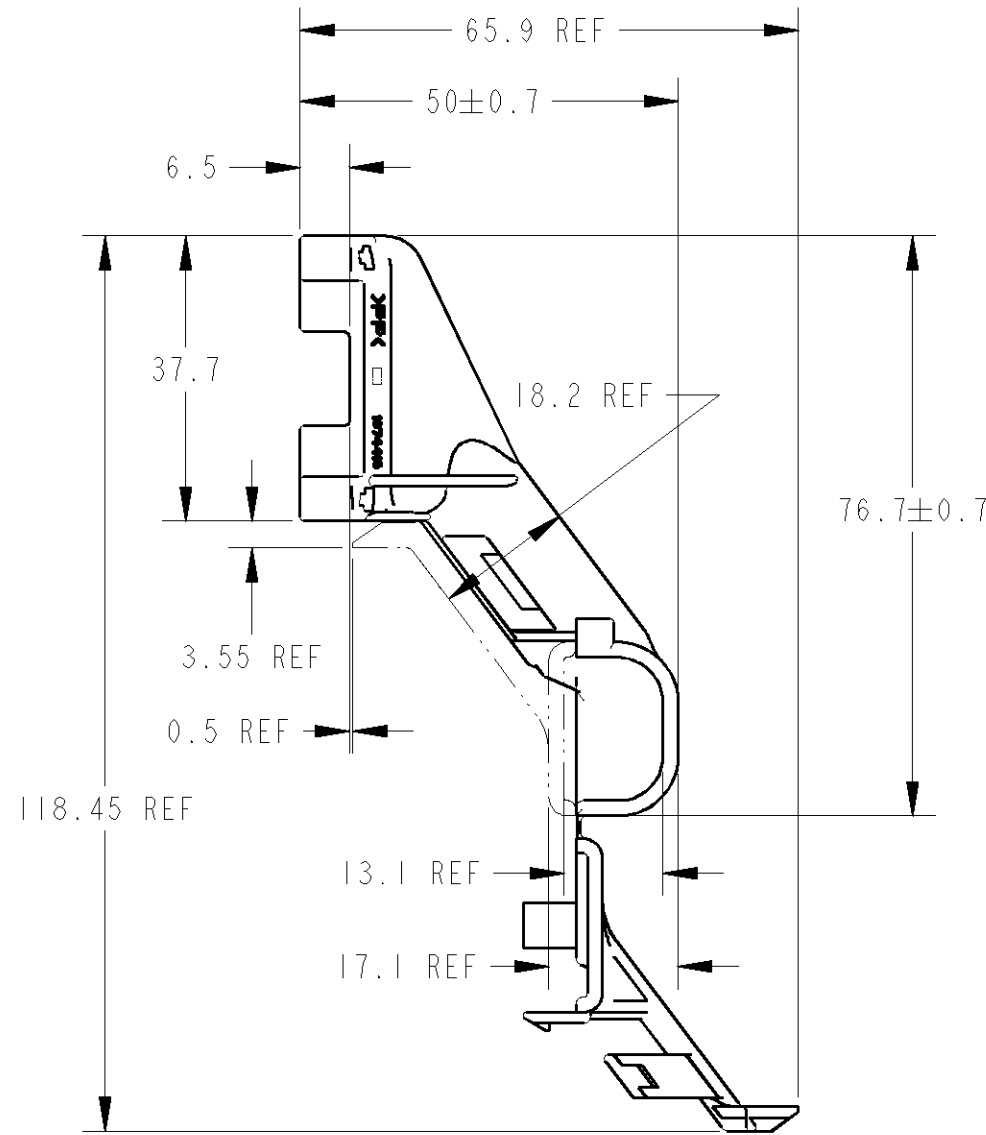
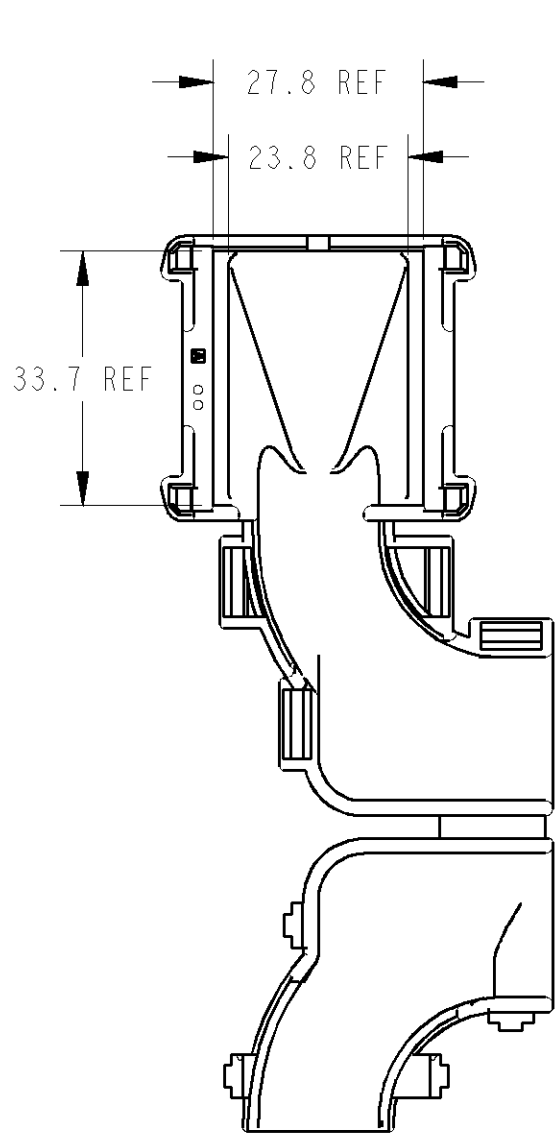


THIS DRAWING IS UNPUBLISHED. RELEASED FOR PUBLICATION 20  
 © COPYRIGHT 20 BY TYCO ELECTRONICS CORPORATION. ALL RIGHTS RESERVED.

LOC	DIST	REVISIONS						
		P	LTR	DESCRIPTION	ECN	DATE	DWN	APVD
J	-		A	RELEASED		17MAY05	K.S	Y.F
			B	REVISED	ECR-10-007504	01JUN10	SF	KB



1. MATING WITH PLUG HOUSING SMOOTHLY.  
 PLUG HOUSING PRODUCT NUMBER ; 1717138

1. 相手ハウジングと支障なく嵌合できること。  
 嵌合相手型番 : 1717138

-2 ; AS SHOWN

<small>THIS DRAWING IS A CONTROLLED DOCUMENT FOR TYCO ELECTRONICS CORPORATION          IT IS SUBJECT TO CHANGE AND THE CONTROLLING ENGINEERING ORGANIZATION          SHOULD BE CONTACTED FOR THE LATEST REVISION.</small>		DWN K.SHIGA 01-Jun-10 CHK Y.NOGUCHI 17MAY05 APVD Y.FUJIWARA 17MAY05		Tyco Electronics Corporation Kawasaki, Japan	
DIMENSIONS: 単位: 概 mm		TOLERANCES UNLESS OTHERWISE SPECIFIED: 一般公差 ±0.5 0-PLC ± 1-PLC ±0.3 2-PLC ±0.10 3-PLC ±0.001 4-PLC ±0.0001 ANGLES ±1.00°		NAME 名称 WIRE COVER 44POSITION C-TYPE 0.64/1.0 SEALED CONNECTOR	
MATERIAL 材料 PP		FINISH 仕上 BLACK		PRODUCT SPEC 製品規格 108-5911	
APPLICATION SPEC 取付適用規格 -		WEIGHT 13.0		SIZE A3	
CUSTOMER DRAWING		SCALE 尺度 .		SHEET OF REV B	