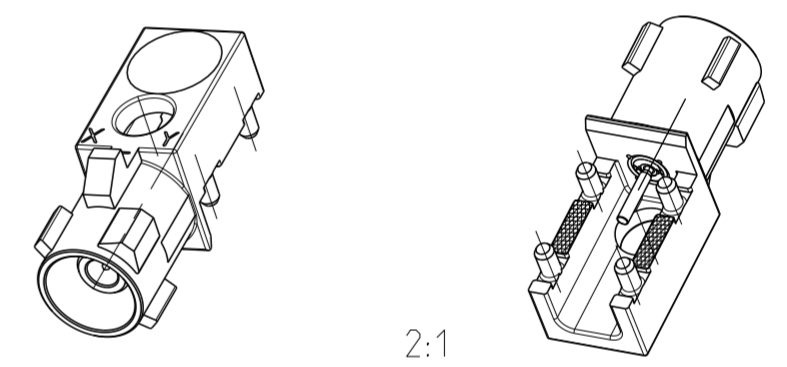
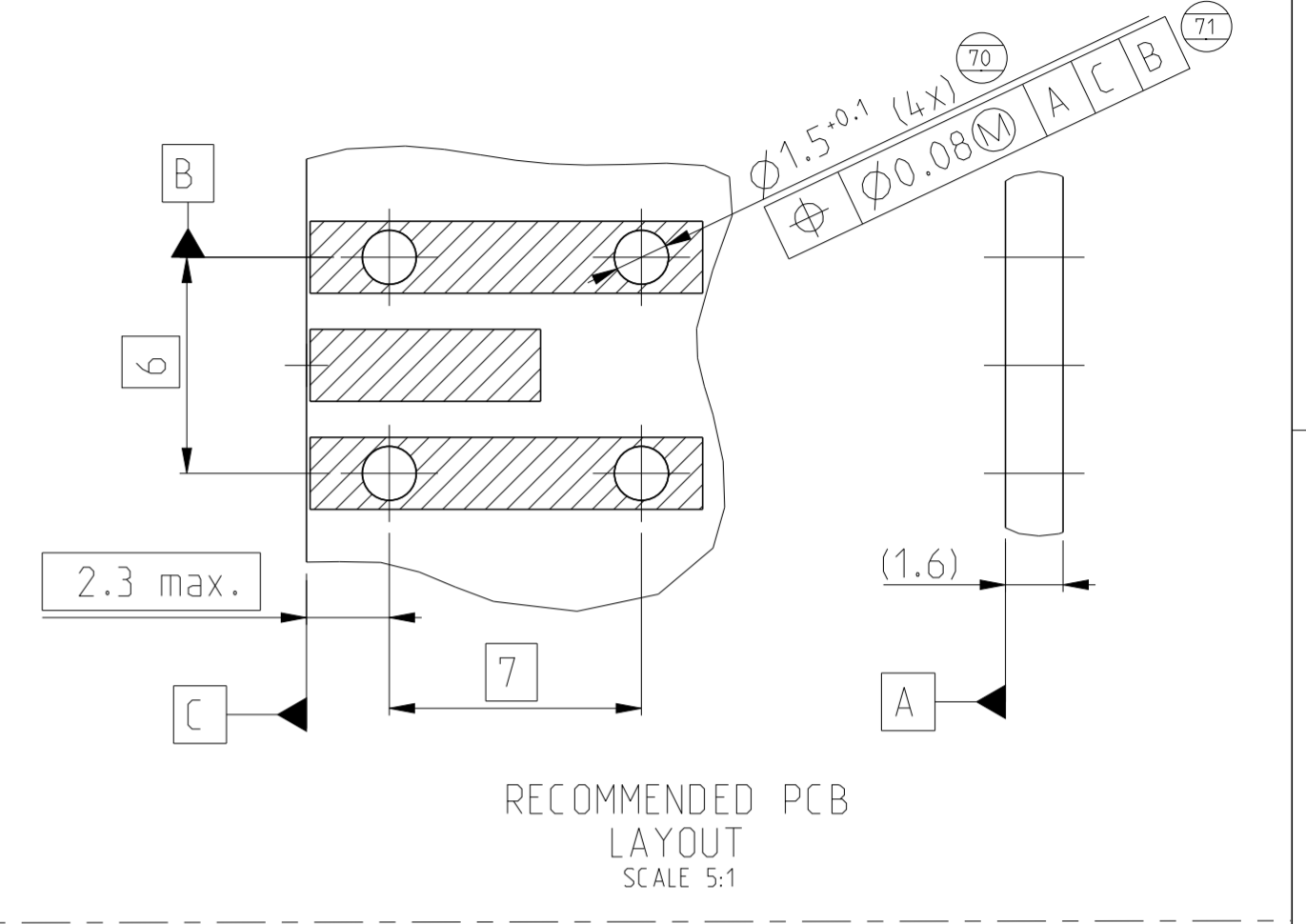
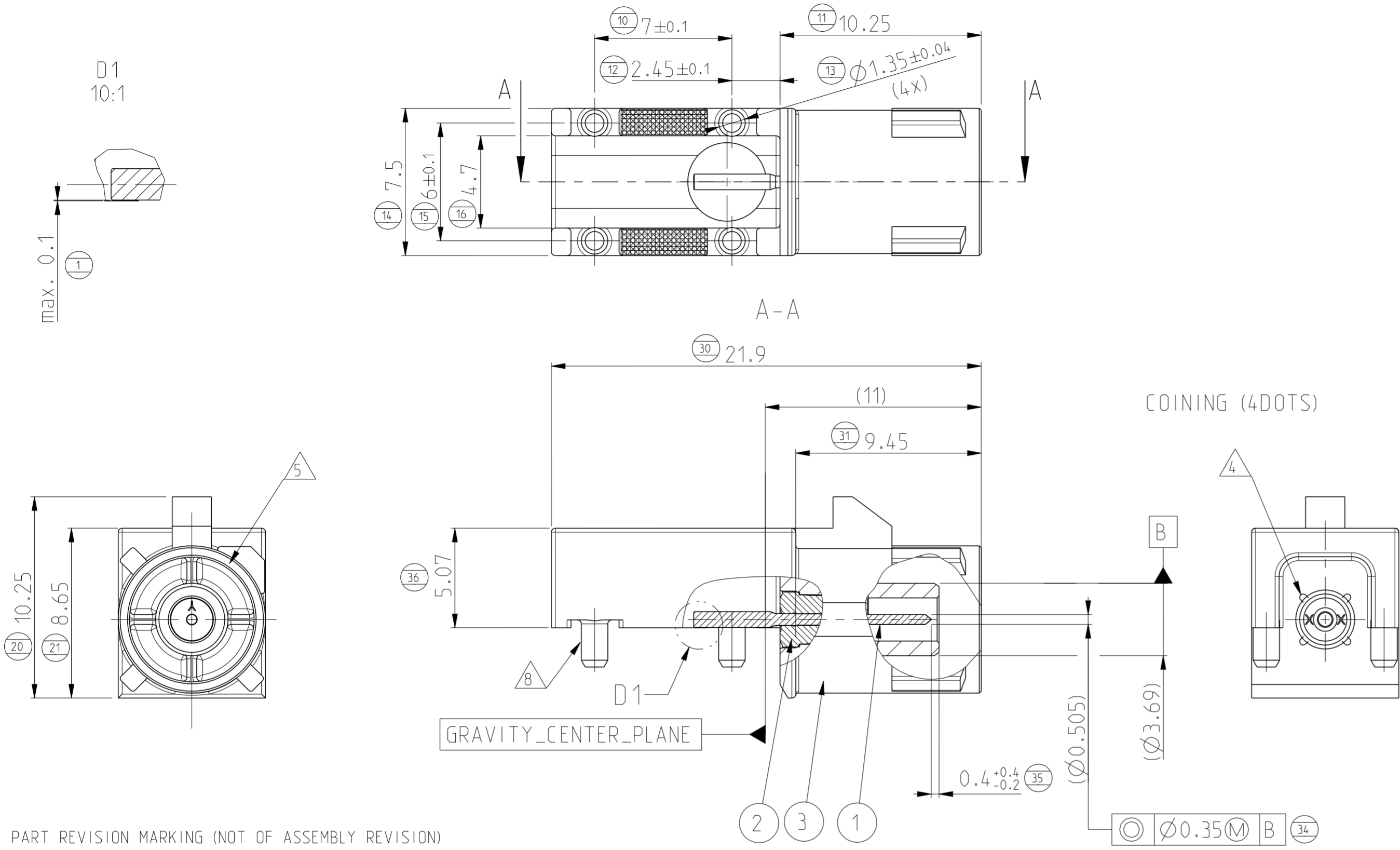
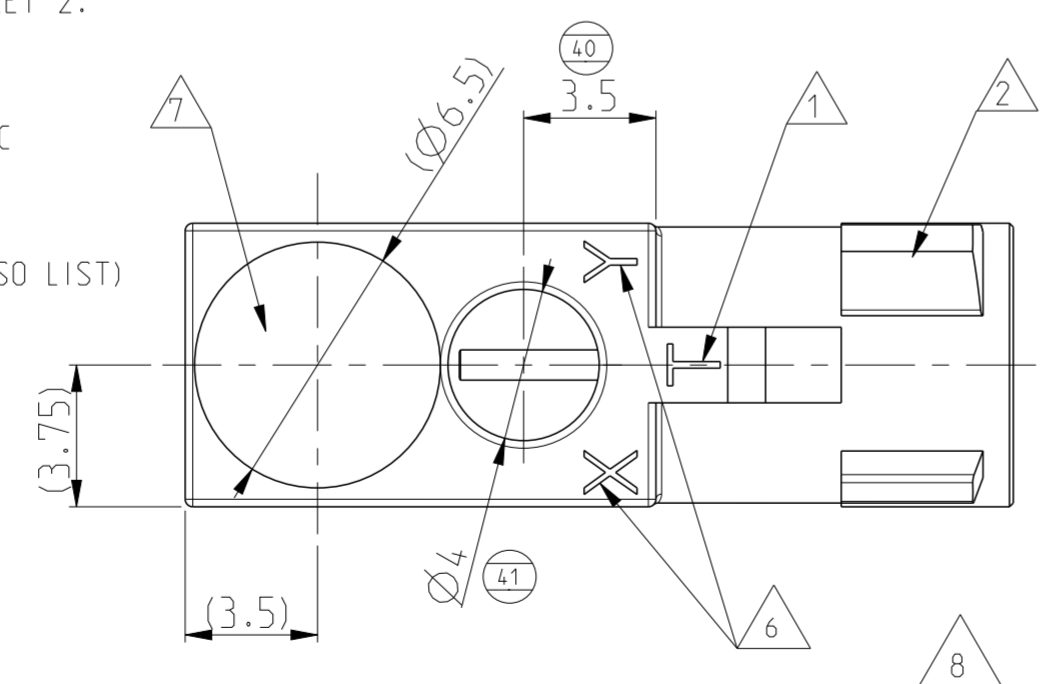


THIS DRAWING IS UNPUBLISHED. RELEASED FOR PUBLICATION 2011  
 © COPYRIGHT 2011 ALL RIGHTS RESERVED.

PROJECT No.		REVISIONS				
P	LTR	DESCRIPTION	DATE	DWN	APVD	
EGATN04036-0030						
PRJ-10-000002375						
	D6	ECR-15-010522	14 JUL2015	JB JH	NR	
	D7	ECR-16-004072	17MAR2016	JB JH	NR	
	D8	ECR-16-012000	22AUG2016	SC K	NR	
	D9	ECR-19-019435	13DEC2019	JJ H	NR	



- 50 1 PART REVISION MARKING (NOT OF ASSEMBLY REVISION)
- 51 2 CODING RIBS FOR CONFIGURATION OF THE MECHANICAL CODINGS ACC. TO DIN72594-1. THE CONFIGURATION OF THE CODINGS IS SHOWN ON SHEET 2.
- 52 3. PACKAGING: BLISTER SMD ESD, SHOWN ON SHEET 3
- 53 4 COINING DOTS FOR FIXING POSITION OF THE DIELECTRIC
- 54 5 COLOR MARKING ACC. TABLE
- 55 6 DASH NUMBER OF PART (DEPENDANT OF CODING, SEE ALSO LIST)
- 56 7 AREA FOR VACUUM PICKER
- 57 8 PLATING THICKNESS - SEE TABLE
- 9. -
- 58 10. FOR PACKAGING INSTRUCTIONS SEE V1670861.



1-1670861-1	Z	RAL5021
1-1670861-0	K	RAL1027
1670861-9	I	RAL1001
1670861-8	H	RAL4003
1670861-7	G	RAL7031
1670861-6	F	RAL8011
1670861-5	E	RAL6002
1670861-4	D	RAL4004
1670861-3	C	RAL5005
1670861-2	B	RAL9001
1670861-1	A	RAL9005
ASSEMBLY PART NUMBER	CODING	SIMILAR COLOR RAL

DESCRIPTION	QTY.	FINISHED SURFACE	MATERIAL	POS.
OUTER SHELL	1	Surface- min. 0.3µm Sn over min. 0.5µm Ni both over min. 2.0µm Cu.	Zn-ALLOY	3
DIELECTRIC	1	-	PA	2
CENTER CONTACT	1	Au-COATED min 0.6µm	CuZn	1

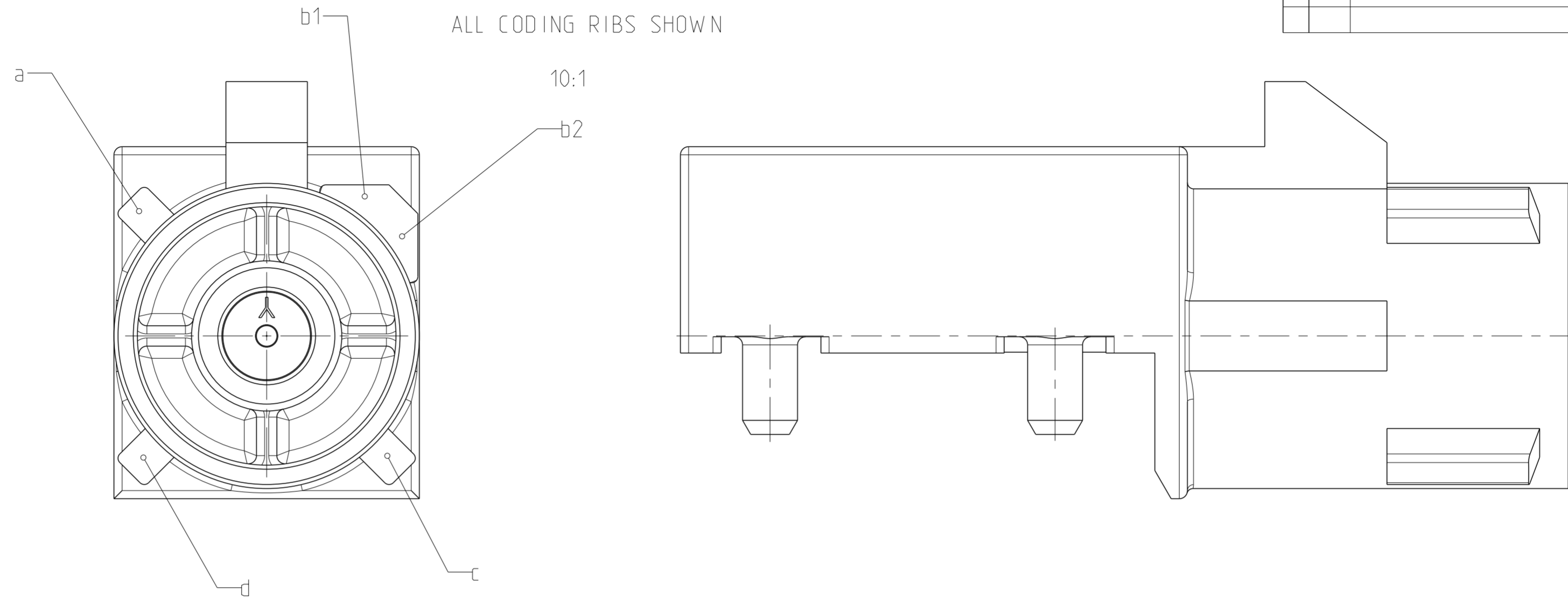
THIS DRAWING IS A CONTROLLED DOCUMENT.		DWN A.Kern 04OCT2006
DIMENSIONS: mm		CHK O.De Cloet 04OCT2006
TOLERANCES UNLESS OTHERWISE SPECIFIED:		APVD W. Mueller 28DEC2006
0 PLC	±0.2	PRODUCT SPEC
1 PLC	±0.2	108-18079
2 PLC	±0.2	APPLICATION SPEC
3 PLC	±0.2	114-18862
4 PLC	±0.2	WEIGHT -3.2 g
ANGLES	±°	Customer Drawing
FINISH	-	

		TE Connectivity	
		NAME - FAKRA PCB 1POS. JACK, RIGHT ANGLED Assembly	
SIZE	CAGE CODE	DRAWING NO	RESTRICTED TO
A2	00779	C-1670861	-
SCALE 5:1		SHEET 1 OF 3	REV D9

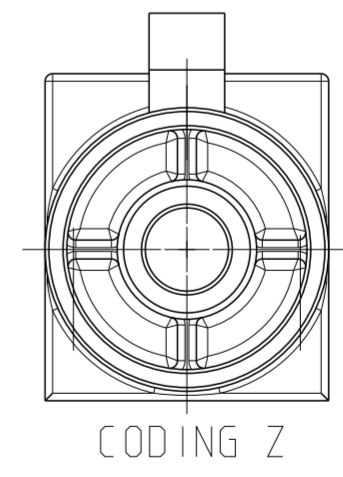
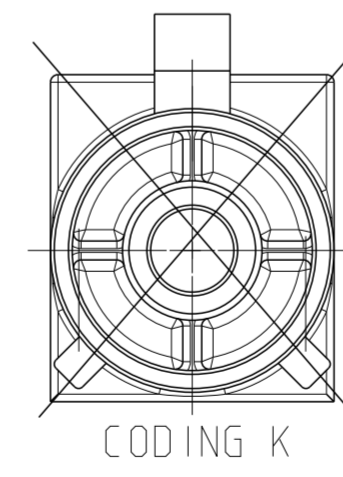
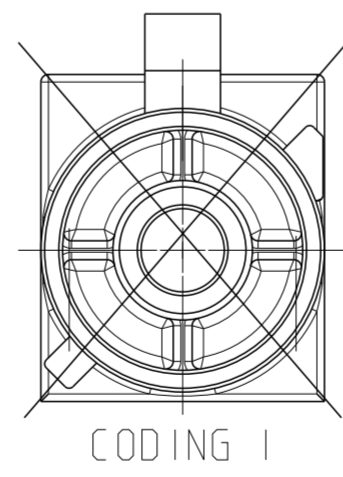
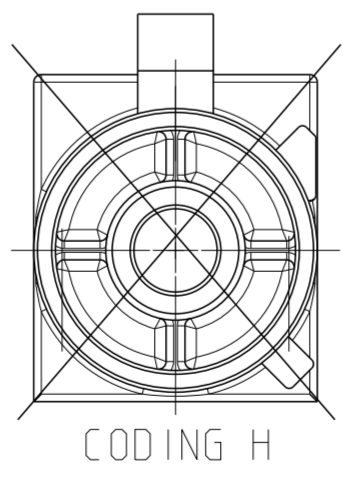
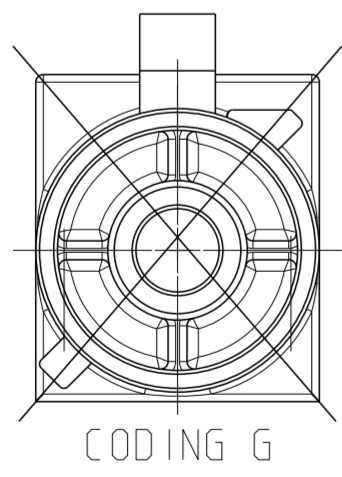
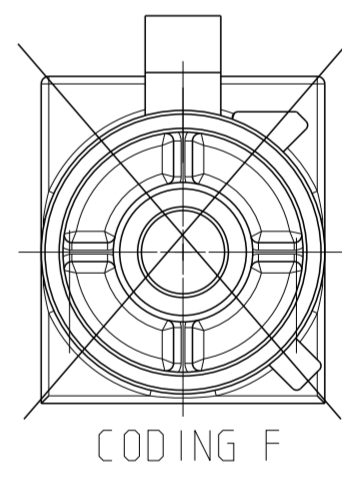
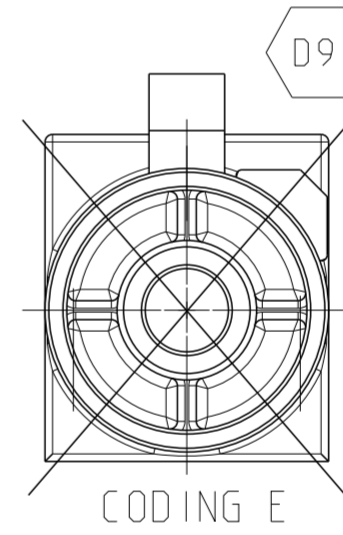
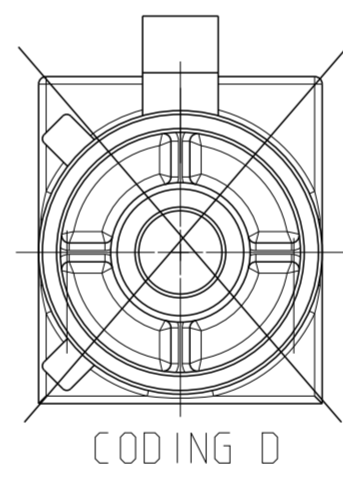
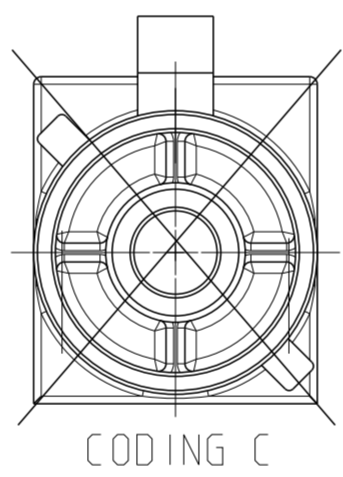
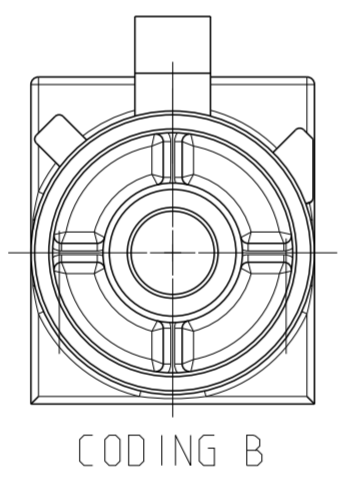
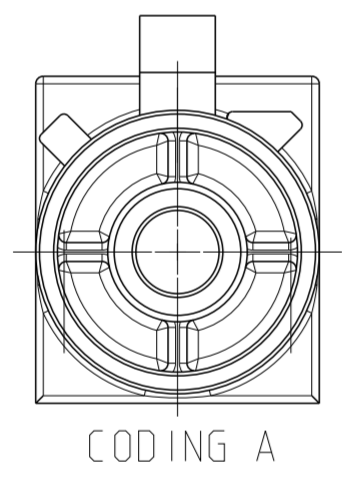
THIS DRAWING IS UNPUBLISHED. RELEASED FOR PUBLICATION 2011  
 © COPYRIGHT 2011 ALL RIGHTS RESERVED.

PROJECT No.  
 EGATN04036-0030  
 PRJ-10-000002375

REVISIONS					
P	LTR	DESCRIPTION	DATE	DWN	APVD
-	-	SEE SHEET 1	-	-	-



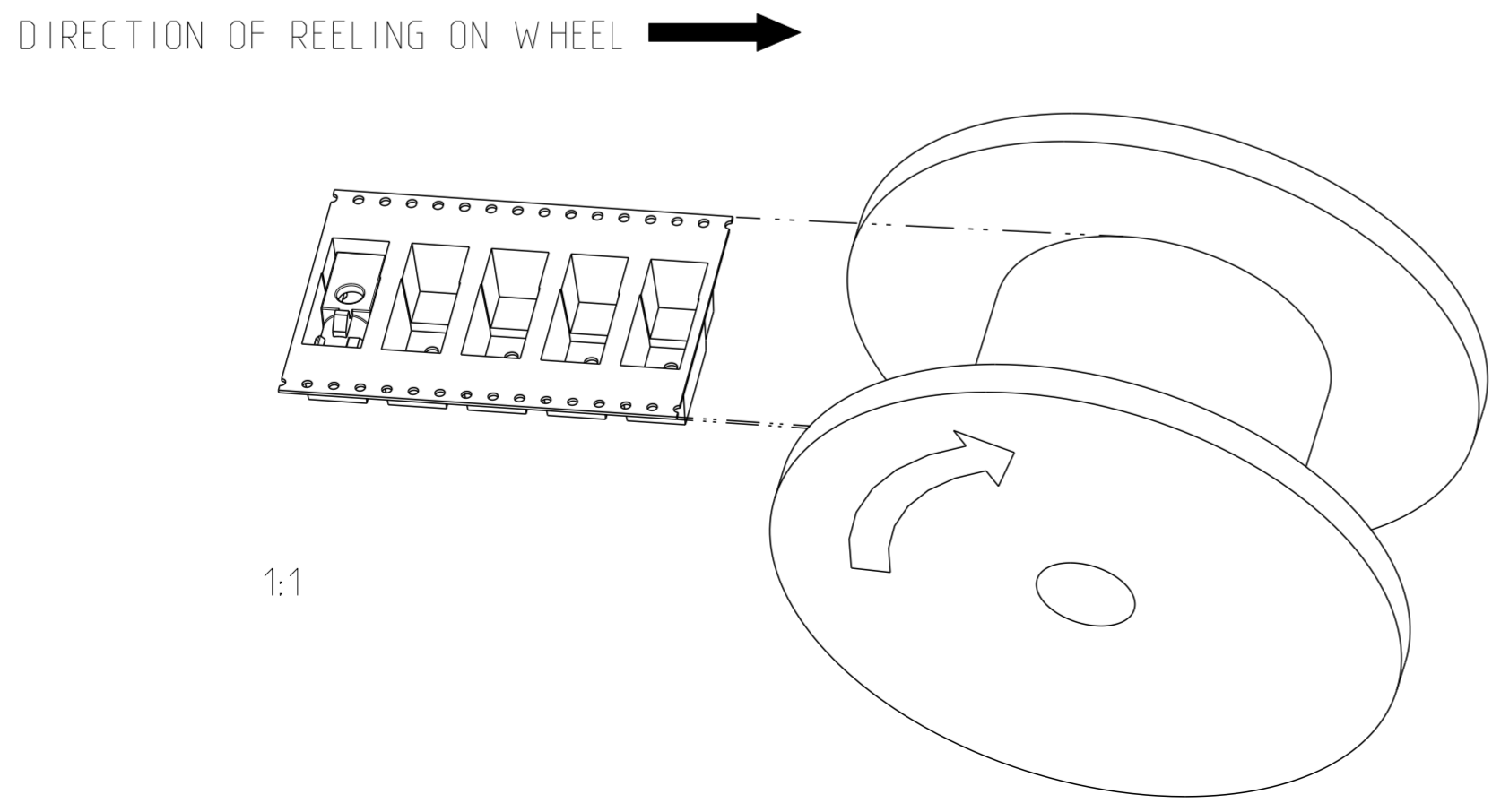
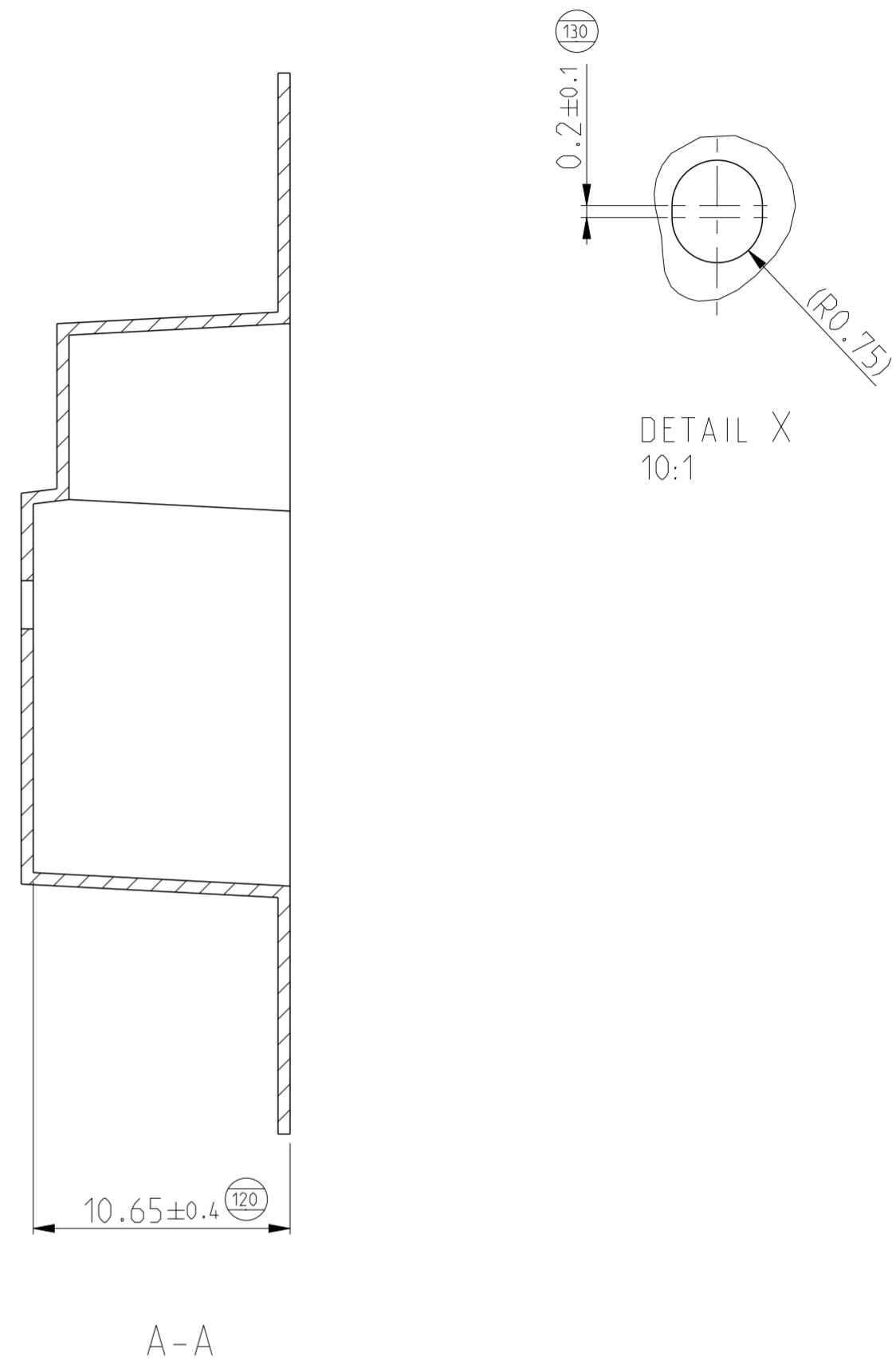
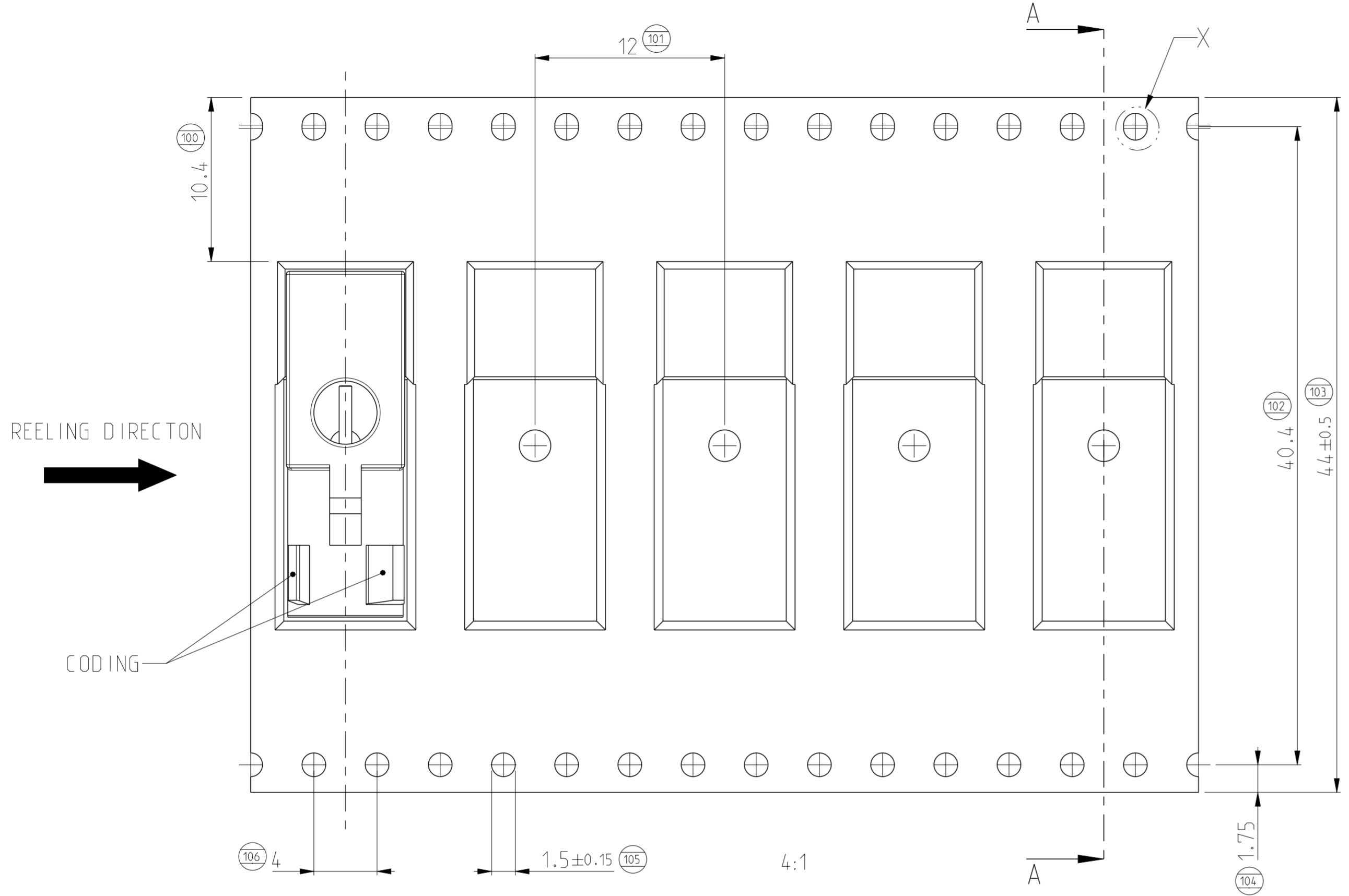
ALL CODING RIBS SHOWN



THIS DRAWING IS A CONTROLLED DOCUMENT.		DWN A.Kern 04OCT2006	TE Connectivity		
DIMENSIONS: mm		CHK O.De Cloet 04OCT2006			
TOLERANCES UNLESS OTHERWISE SPECIFIED:		APVD W. Mueller 28DEC2006	NAME - FAKRA PCB 1POS. JACK, RIGHT ANGLED Assembly		
0 PLC ±0.2 1 PLC ±0.2 2 PLC ±0.2 3 PLC ±0.2 4 PLC ±0.2 ANGLES ±° FINISH -		PRODUCT SPEC 108-18079	SIZE A2	CAGE CODE 00779	DRAWING NO C-1670861
MATERIAL -		APPLIC. SPEC 114-18862	RESTRICTED TO -	SCALE 5:1 SHEET 2 OF 3 REV D9	
-		WEIGHT -3.2 g	Customer Drawing		

THIS DRAWING IS UNPUBLISHED. RELEASED FOR PUBLICATION 2011  
 © COPYRIGHT 2011 ALL RIGHTS RESERVED.

PROJECT No.		REVISIONS				
P	LTR	DESCRIPTION	DATE	DWN	APVD	
		EGATN04036-0030				
		PRJ-10-000002375				
		SEE SHEET 1				



TOLERANCING ISO 8015  
 TOLERIERUNG ISO 8015

THIS DRAWING IS A CONTROLLED DOCUMENT.		DWN A. Kern 04OCT2006	TE Connectivity	
		CHK O. De Cloet 04OCT2006		
		APVD W. Mueller 28DEC2006	NAME FAKRA PCB 1POS. JACK, RIGHT ANGLED Assembly	
DIMENSIONS: mm		PRODUCT SPEC 108-18079	SIZE A2	CAGE CODE 00779
TOLERANCES UNLESS OTHERWISE SPECIFIED:		APPLICATION SPEC 114-18862	DRAWING NO C-1670861	RESTRICTED TO -
MATERIAL		WEIGHT -3.2 g	SCALE 5:1	SHEET 3 OF 3
		Customer Drawing		REV 09