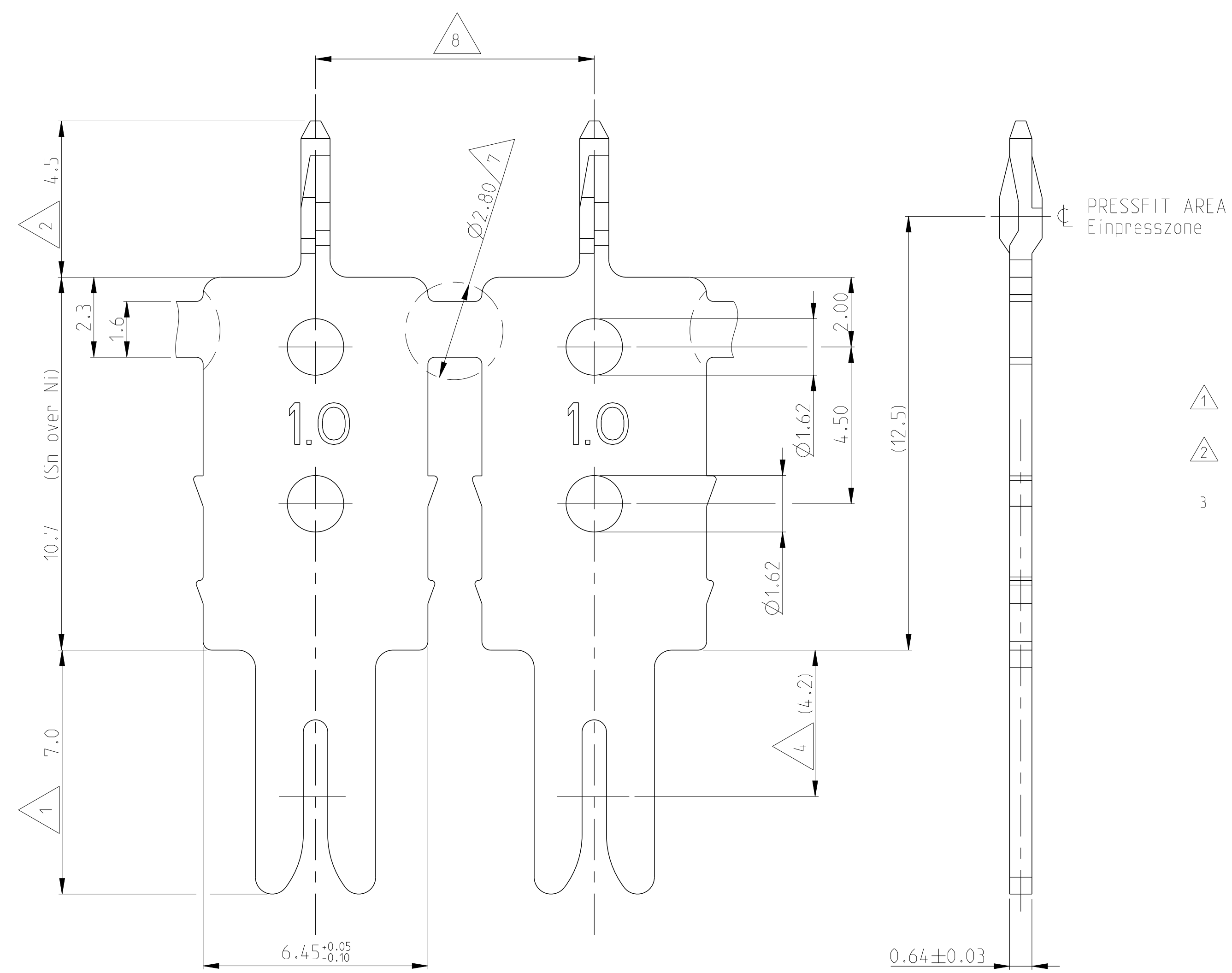
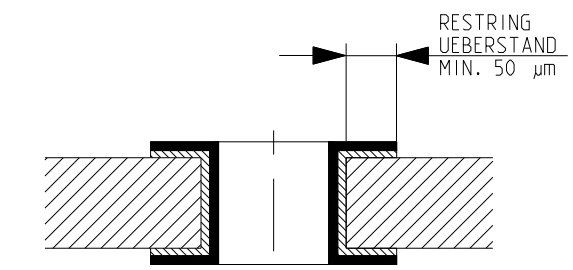


Project-No. PRJ-12-00003478	LOC A1	DIST -	REVISIONS			
			REV	DATE	BY	APPV
	A2		VARIANTE 3-1670195-2 + 3-1670195-3 ADDED	01DEC2012	RM	JRY
	A3		NOTE 5 AND 6 CHANGED	05DEC2013	RM	PNI

CONVERSION KID Umbausatz

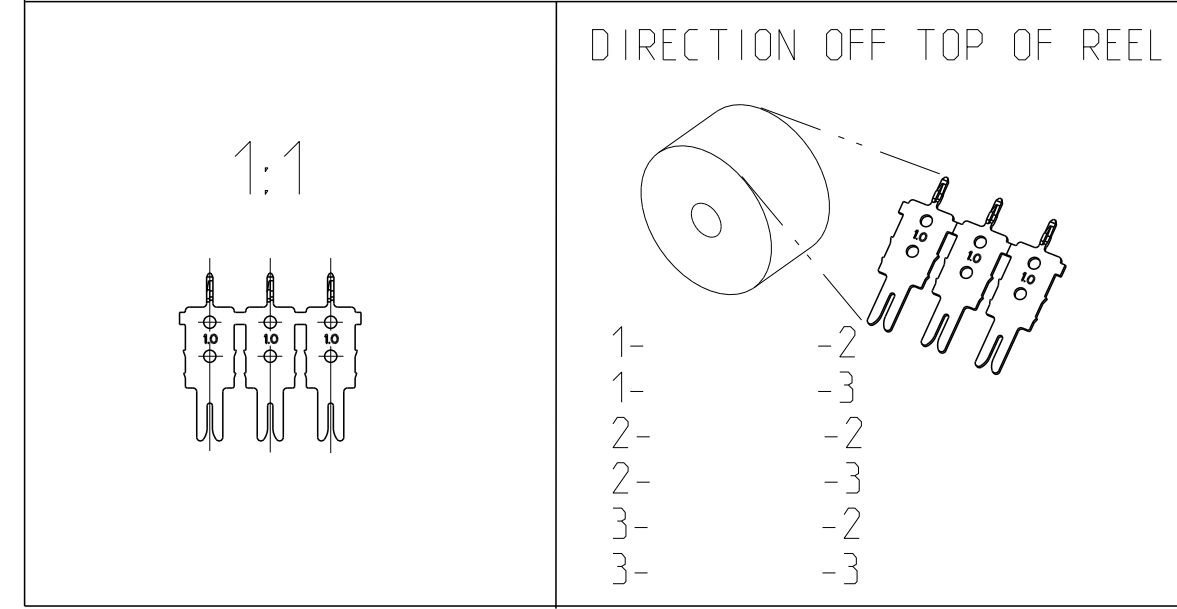
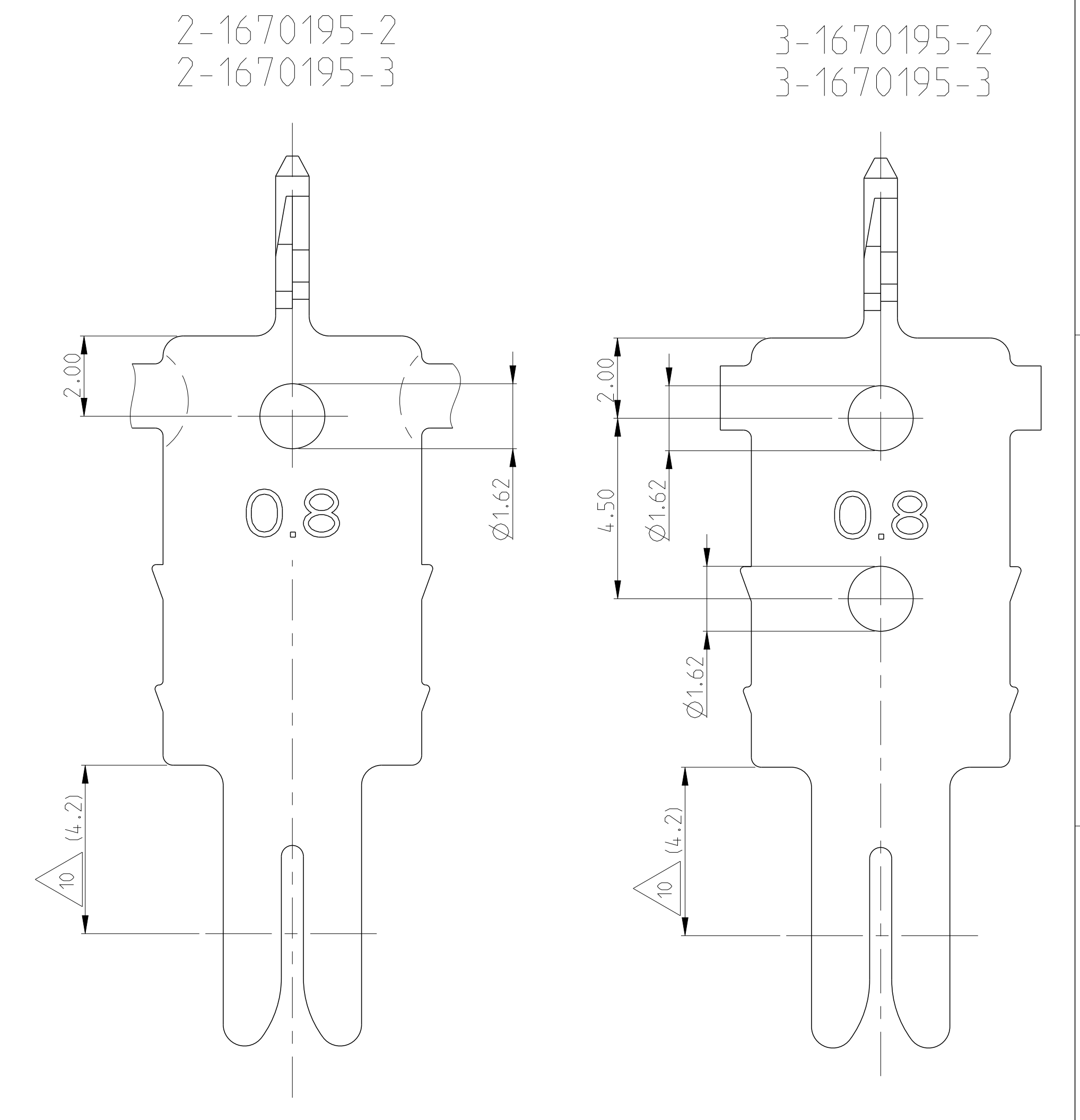


- NOTES:
BEMERKUNGEN:
- 1 2 μm-4 μm Sn OVER 1.3 μm-2.2 μm Ni
2 μm-4 μm Sn UEBER 1.3 μm-2.2 μm Ni
 - 2 0.8 μm-1.8 μm Sn OVER 1.3 μm-2.2 μm Ni
0.8 μm-1.8 μm Sn UEBER 1.3 μm-2.2 μm Ni
 - 3



PLATED THROUGH HOLE SPECIFICATION FOR TIN COATING SPEZIFIKATION FUER DURCHPLATIERTE BOHRUNGEN FUER ZINN BESCHICHTUNG	
COPPER COATING KUPFER SCHICHT	25-50 μm
ZINN COATING ZINN SCHICHT	4-15 μm
DRILLED HOLE Ø1.15±0.025 BOHRLOCH-Ø1.15±0.025	FINISHED HOLE Ø0.94 ^{+0.15} _{-0.15} PLATIRTER LOCH-Ø0.94 ^{+0.15} _{-0.15}
PLATED THROUGH HOLE SPECIFICATION FOR GOLD COATING SPEZIFIKATION FUER DURCHPLATIERTE BOHRUNGEN FUER GOLD BESCHICHTUNG	
COPPER COATING KUPFER SCHICHT	25-50 μm
NICKEL COATING NICKEL SCHICHT	max. 5 μm
GOLD COATING GOLD SCHICHT	max. 0.2 μm
DRILLED HOLE Ø1.15±0.025 BOHRLOCH-Ø1.15±0.025	FINISHED HOLE Ø0.94 ^{+0.15} _{-0.15} PLATIRTER LOCH-Ø0.94 ^{+0.15} _{-0.15}

- 4 CONFLUENT ZONE FOR CU WIRE TIN PLATED Ø1.0±0.05
Kontaktzone fuer Cu Draht verzinkt Ø1.0±0.05
- 5 TO BE REELED ON PANCAKE REEL WITH INTERLEAVING PAPER INTO BOX
Pappspule mit Zwischenlagenpapier in Karton
- 6 TO BE REELED ON PLASTIC REEL WITH INTERLEAVING PAPER INTO BOX
Kunststoffspule mit Zwischenlagenpapier im Karton
- 7 DIMENSION FOR LOOSE PIECE
Mass fuer Einzelteil
- 8 DIE FEED 8±0.03
Werkzeugvorschub 8±0.03
- 9 PRINTED CIRCUIT BOARD THICKNESS 1.6±0.2
Leiterplattendicke 1.6±0.2
- 10 CONFLUENT ZONE FOR CU WIRE TIN PLATED Ø0.8±0.05
Kontaktzone fuer Cu Draht verzinkt Ø0.8±0.05



TE PART NO.	REV.	DESCRIPTION	MATERIAL	SURFACE
3-1670195-3	A	TERMINAL WITH ACTION PIN	Cu Sn 4	Sn
3-1670195-2	A	TERMINAL WITH ACTION PIN	Cu Sn 4	Sn
2-1670195-3	A	TERMINAL WITH ACTION PIN	Cu Sn 4	Sn
2-1670195-2	A	TERMINAL WITH ACTION PIN	Cu Sn 4	Sn
1-1670195-3	A	TERMINAL WITH ACTION PIN	Cu Sn 4	Sn
1-1670195-2	A	TERMINAL WITH ACTION PIN	Cu Sn 4	Sn

THIS DRAWING IS A CONTROLLED DOCUMENT.

DIMENSIONS: mm

TOLERANCES UNLESS OTHERWISE SPECIFIED:
DIMENSIONS: ±0.15 mm

FINISH: SEE TABLE

WEIGHT: -

CUSTOMER DRAWING

OWN: P.Nickelfeld 23JUN2006
CHK: J.Ryll 23JUN2006

NAME: TERMINAL WITH ACTION PIN
Klemme mit ACTION PIN

SIZE: A1 CAGE CODE: 00779 DRAWING NO: 1670195

SCALE: 10:1 SHEET: 1 OF 1 REV: A3

STE TE Connectivity