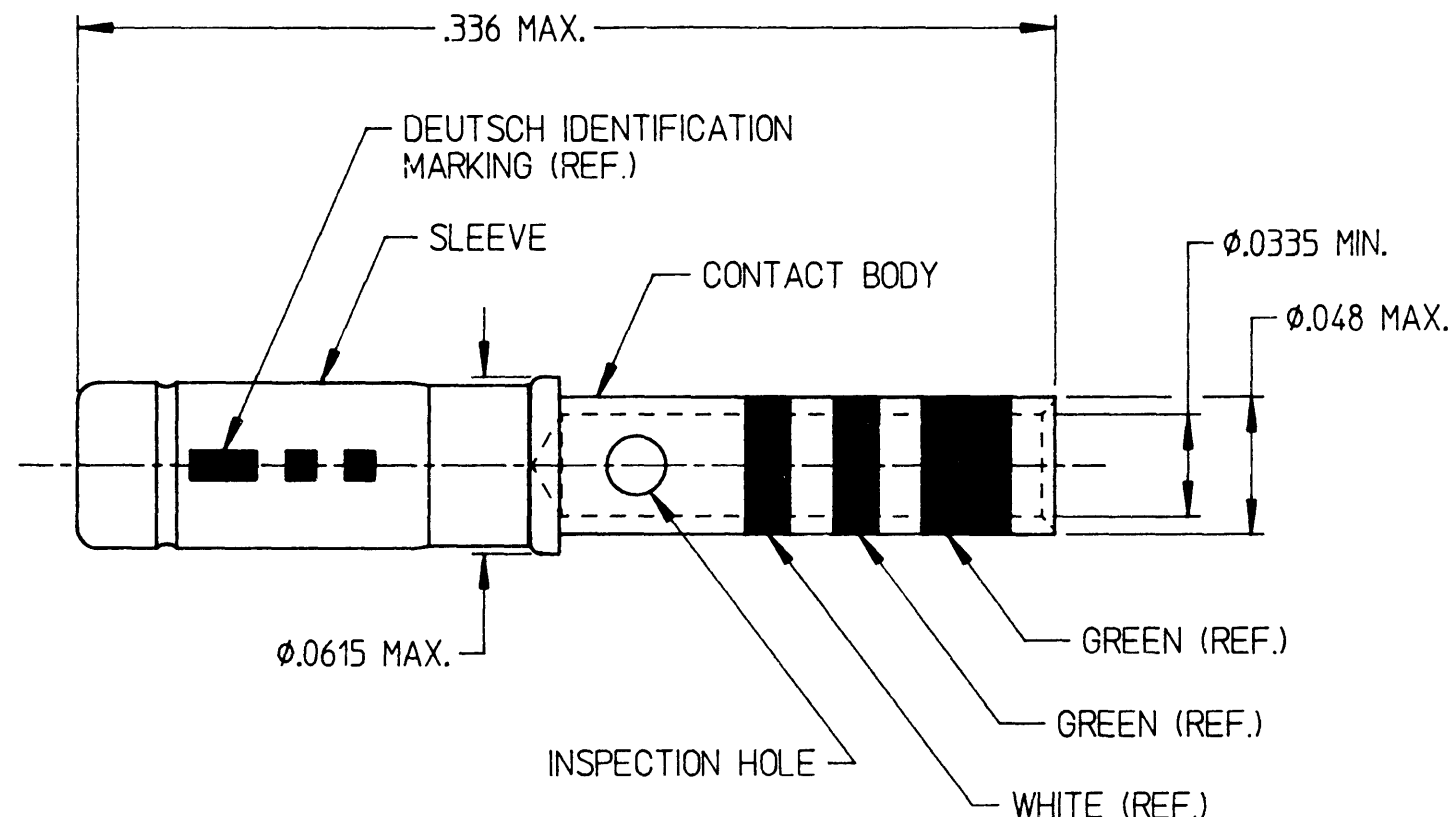


N/C 1662-215-2231

REVISIONS			
REV	DESCRIPTION	DATE	APPROVED
N/C	NEW RELEASE PER E.O. C1007	8-4-92	9



- 3. FINISH: BODY - GOLD PER MIL-G-45204, TYPE II, CLASS I, OVER SUITABLE UNDERPLATE (EXCLUDING SILVER)
SLEEVE - PASSIVATED
- 2. MATERIAL: BODY - COPPER ALLOY PER MIL-C-39029, TYPE A
SLEEVE - STAINLESS STEEL
- 1. ALL DIMENSIONS ARE IN INCHES UNLESS OTHERWISE SPECIFIED.

NOTE:

SIGNATURE & DATE	
DR	R. GROSS 7-28-92
CHK	Jo Powell 8-4-92
PE	R. Gross 7-28-92
APPD	
SCALE	NONE WT

CONTACT, SOCKET
 CTS TYPE
 SIZE 22
 WITH SPECIAL COLOR BANDS
 PER McDONNELL DOUGLAS
 ST449-22B
 ENVELOPE

CP	MATL CODE
DEUTSCH ENGINEERED CONNECTING DEVICES Municipal Airport Banning, California	
B	1662-215-2231
DWG SIZE	CODE 1139 SHEET 1 OF 1

16622152231env