

4

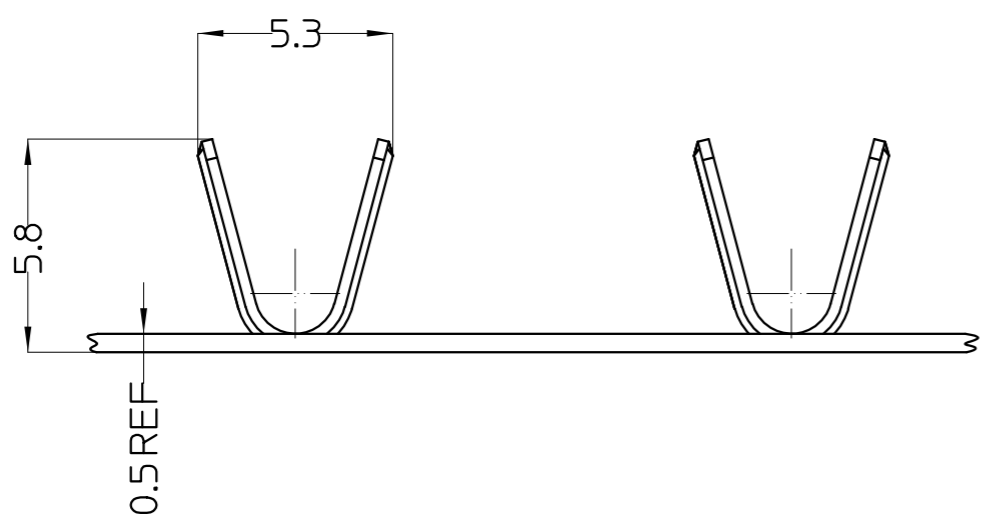
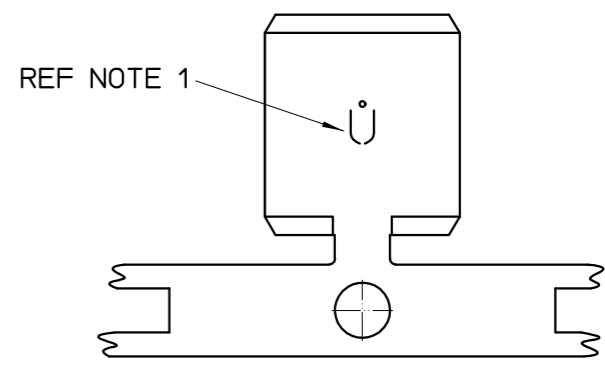
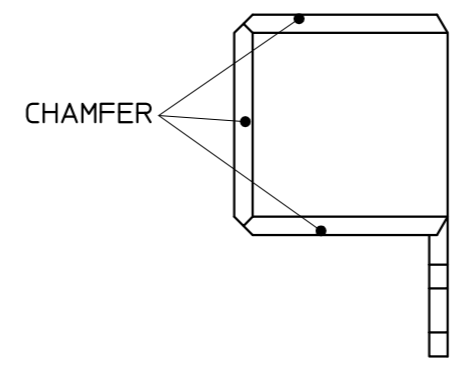
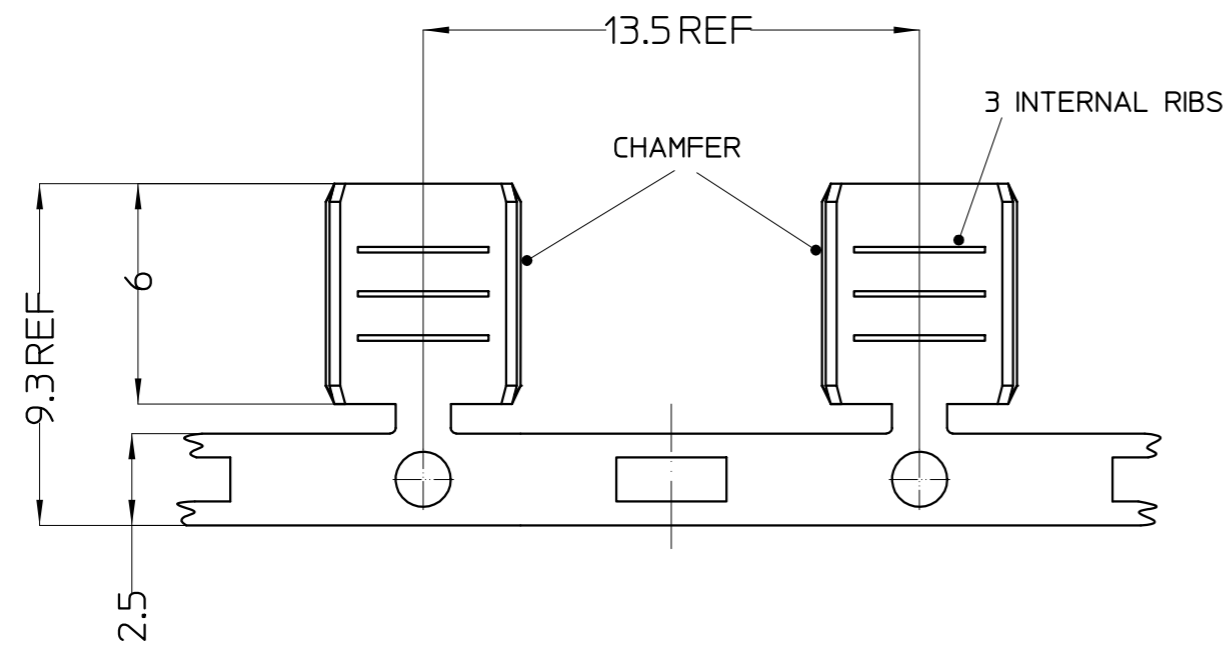
3

2

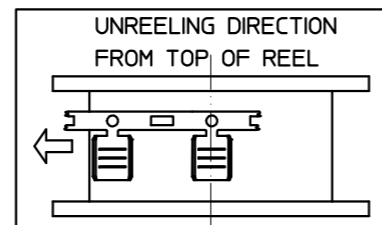
1

THIS DRAWING IS UNPUBLISHED. RELEASED FOR PUBLICATION  
 © COPYRIGHT BY TYCO ELECTRONICS CORPORATION. ALL RIGHTS RESERVED.

LOC	DIST	REVISIONS					
U	-	P	LTR	DESCRIPTION	DATE	DWN	APVD
		-	-				



- NOTES:
- 'UTILUX' OR 'AMP' LOGO STAMPED AS REQUIRED.
  - WIRE RANGE  
CONDUCTOR: 2.3mm<sup>2</sup> - 5.8mm<sup>2</sup>



STRIP FORM	YELLOW BRASS 66/34 PRE-TIN	TERMINAL, SPLICE H29116	1-1659304-0
FINISH	MATERIAL DESC.	DESCRIPTION	PART No.
THIS DRAWING IS A CONTROLLED DOCUMENT.		Tyco Electronics Corporation AUSTRALIA	
ALL DIMENSIONS IN mm:	TOLERANCES UNLESS OTHERWISE SPECIFIED: DIMENSION (mm) TOLERANCE(+/-mm) LESS THAN 10 0.4 OVER 10 TO 30 0.5 OVER 30 TO 80 0.7 OVER 80 TO 250 1.0 ANGLES ±2°	NAME: SPLICE, TERMINAL	
	MATERIAL	FINISH	SIZE A3 CAGE CODE DRAWING NO. 1659304 RESTRICTED TO
	-	-	WEIGHT: - CUSTOMER DRAWING SCALE 5:1 SHEET 1 OF 1 REV 0

THIS INFORMATION IS CONFIDENTIAL AND PROPRIETARY TO TYCO ELECTRONICS CORPORATION AND ITS WORLDWIDE SUBSIDIARIES AND AFFILIATES. IT MAY NOT BE DISCLOSED TO ANYONE OTHER THAN TYCO ELECTRONICS PERSONNEL WITHOUT WRITTEN PERMISSION FROM TYCO ELECTRONICS CORPORATION, HARRISBURG, PENNSYLVANIA, USA.