

4

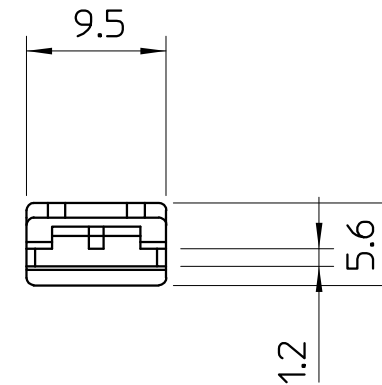
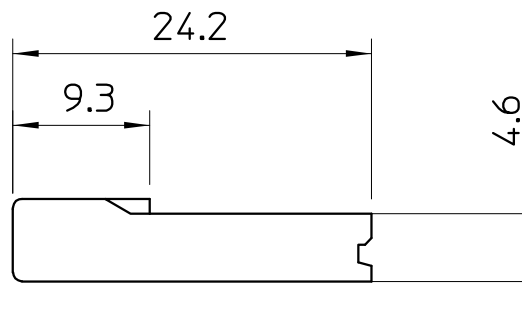
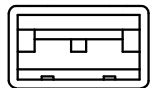
3

2

1

THIS DRAWING IS UNPUBLISHED. RELEASED FOR PUBLICATION
 © COPYRIGHT BY TYCO ELECTRONICS CORPORATION. ALL RIGHTS RESERVED.

LOC	DIST	REVISIONS					
U	-	P	LTR	DESCRIPTION	DATE	DWN	APVD
		A		REVISED PER ECO-14-010933	21JUL2014	NK	RH


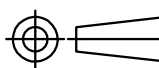


NOTES:

1. INSULATOR TO BE USED WITH THE FOLLOWING RECEPTACLES:

- 1627056 (UTILUX H1971 SERIES)
- 1627057 (UTILUX H1972 SERIES)
- 1627058 (UTILUX H1973 SERIES)
- 1627059 (UTILUX H1974 SERIES)
- 1627194 (UTILUX H953 SERIES)

THIS INFORMATION IS CONFIDENTIAL AND PROPRIETARY TO TYCO ELECTRONICS CORPORATION AND ITS WORLDWIDE SUBSIDIARIES AND AFFILIATES. IT MAY NOT BE DISCLOSED TO ANYONE OTHER THAN TYCO ELECTRONICS PERSONNEL WITHOUT WRITTEN AUTHORIZATION FROM TYCO ELECTRONICS CORPORATION, HARRISBURG, PENNSYLVANIA, USA.

THIS DRAWING IS A CONTROLLED DOCUMENT.		DWN: WR 24NOV05	POLYPROPYLENE NATURAL		INSULATOR H2804	1-1659282-0		
ALL DIMENSIONS IN mm:		CHK: HT 24NOV05	MATERIAL DESC.		DESCRIPTION	PART No.		
TOLERANCES UNLESS OTHERWISE SPECIFIED: DIMENSION (mm) TOLERANCE(+/-mm) LESS THAN 10 0.4 OVER 10 TO 30 0.5 OVER 30 TO 80 0.7 OVER 80 TO 250 1.0 ANGLES REF		APVD: WR 24NOV05	 NAME: INSULATOR, POST FIT					
		PRODUCT SPEC: -						
MATERIAL: REF BLOCK		FINISH: REF BLOCK	APPLICATION SPEC: -	WEIGHT: -	SIZE: A3	CAGE CODE: -	DRAWING NO: © 1659282	RESTRICTED TO: -
CUSTOMER DRAWING					SCALE: 2:1	SHEET: 1 OF 1	REV: A	