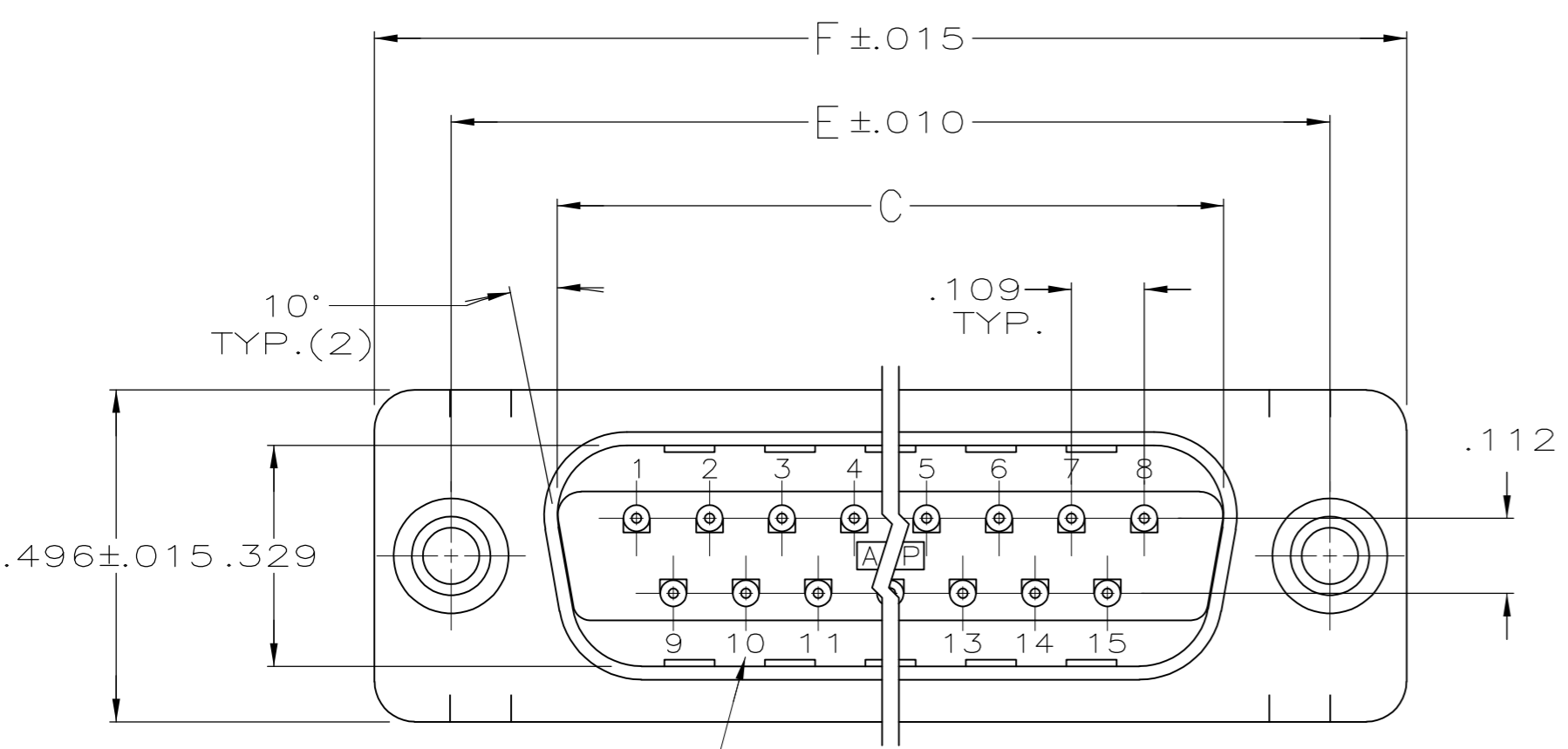


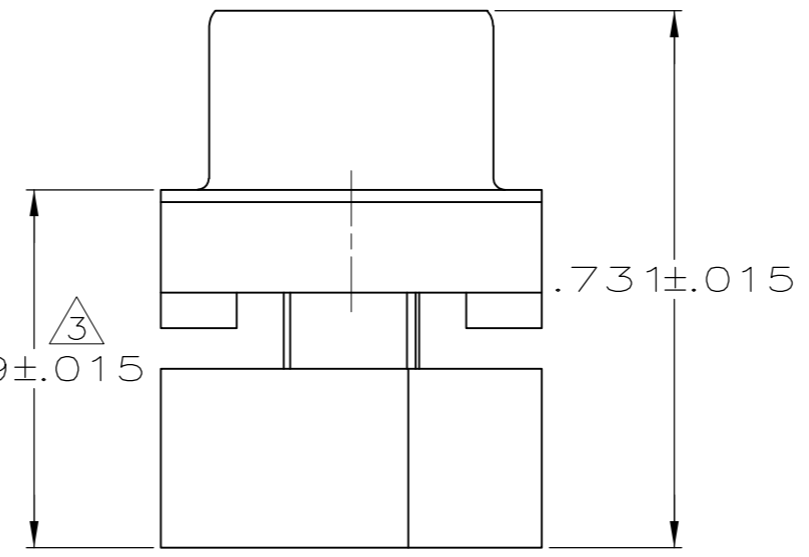
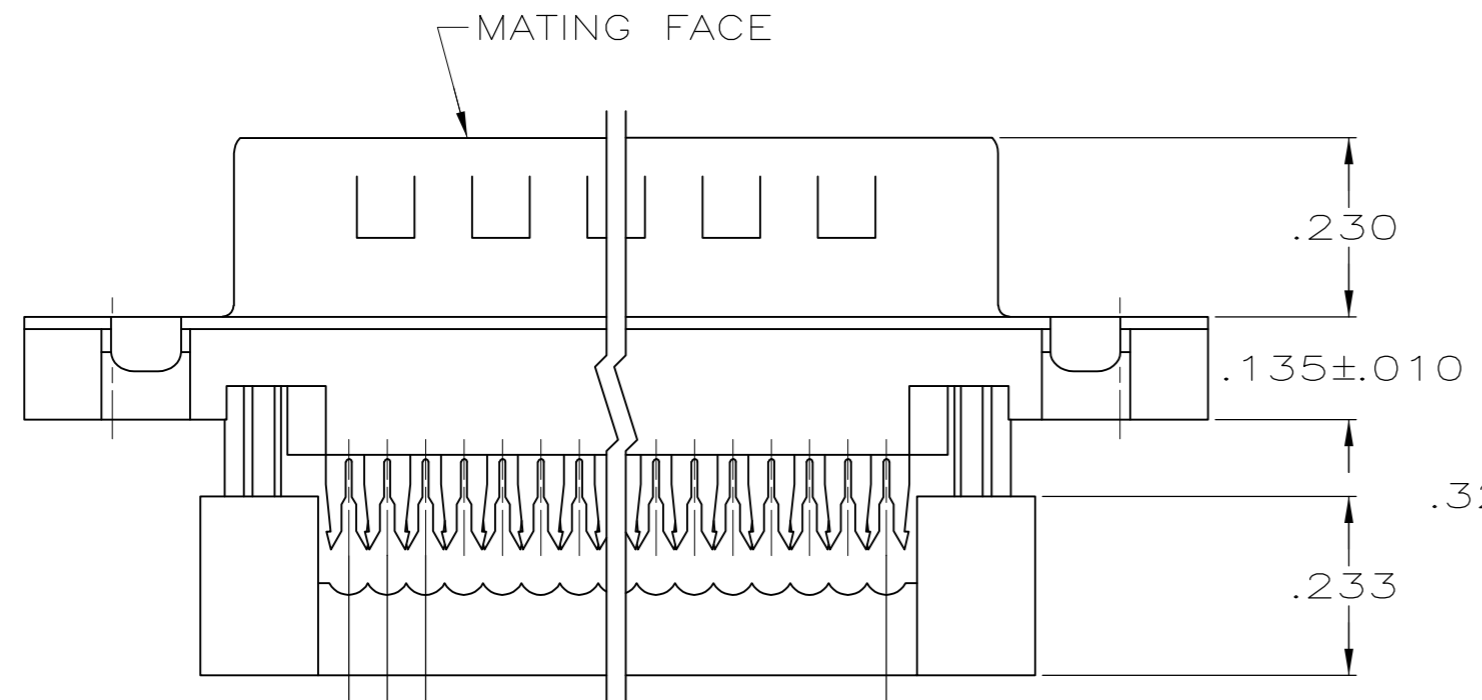
THIS DRAWING IS UNPUBLISHED. RELEASED FOR PUBLICATION
 © COPYRIGHT - By - ALL RIGHTS RESERVED.

LOC		DIST		REVISIONS			
GP	00	P	LTR	DESCRIPTION	DATE	DWN	APVD
		B1		REVISED PER ECO-11-004835	11MAR11	RK	HMR

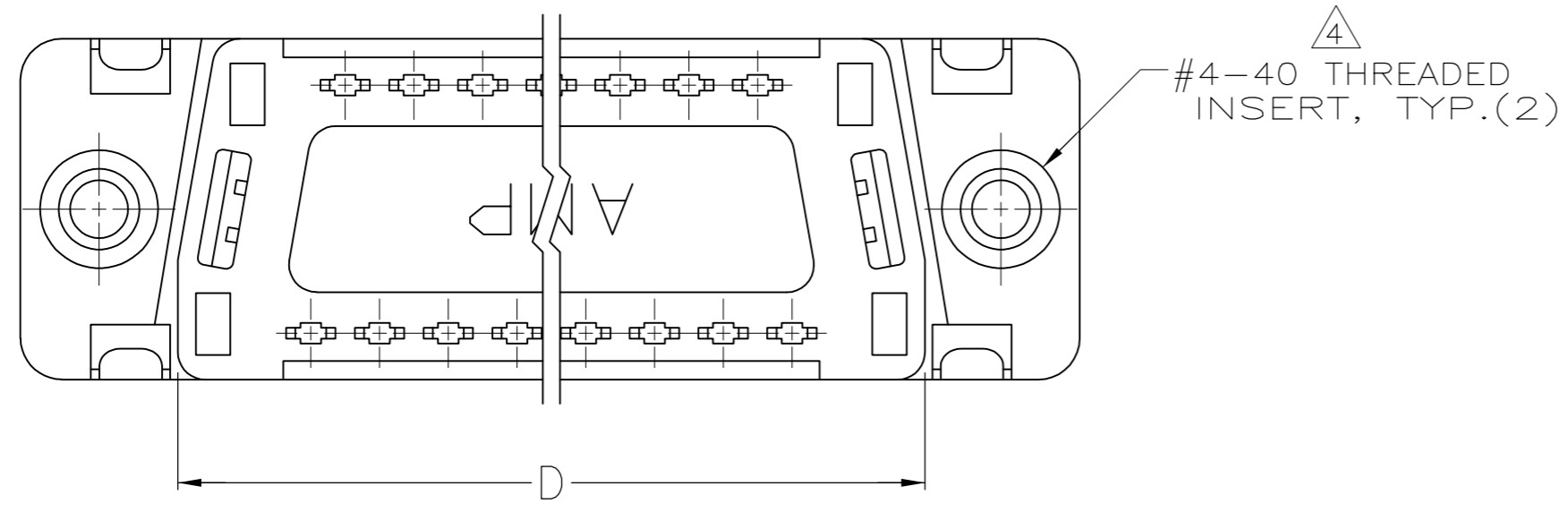


RAISED CAVITY IDENTIFICATION
(15 POSITION SHOWN)

- CONNECTORS COMPLY WITH AMP SPEC. 108-40,012 AND MATE WITH ANY SAME NUMBER POSITION RECEPTACLE CONNECTOR IN AMPLIMITE SERIES.
- CONNECTOR DESIGNED FOR 28 AND 26 AWG STRANDED AND SOLID CONDUCTOR RIBBON CABLE ON .050 ϕ .
- \triangle DIMENSION APPLIES TO TERMINATED CONNECTOR.
- \triangle INSERTS WILL WITHSTAND 6 IN. LBS. TORQUE AND 50 LBS. PULL OUT FORCE FROM MATING FACE SIDE.
- \triangle MOLDED PARTS: FLAME RETARDANT 94V-0 RATED THERMOPLASTIC; COLOR: BLACK.
- \triangle SHELL: STEEL PER QQ-S-698.
- \triangle CONTACTS: PHOS. BRONZE PER QQ-B-750.
- \triangle INSERTS: BRASS PER MIL-C-50.
- \triangle GOLD PLATING PER MIL-G-45204, TIN PLATING PER MIL-T-10727, NICKEL PLATING PER QQ-N-290.
- \triangle SHELL: BRIGHT TIN PLATED.
- \triangle CONTACTS:
 .000030 GOLD ON MATING END, .000100-.000200 MATTE TIN ON TERMINATION END, ALL OVER .000050 NICKEL ON ENTIRE CONTACT.
 OR
 GOLD FLASH OVER PALLADIUM-NICKEL ON MATING END, .000030 MIN TOTAL, .000100-.000200 MATTE TIN ON TERMINATION END, ALL OVER .000050 NICKEL ON ENTIRE CONTACT.



.050 REF.
 .100 REF.
 A SPACES AT .050 = B



1.216	.984	.759	.666	.400	8	9	1658608-4
1.541	1.312	1.087	.994	.700	14	15	1658608-3
2.090	1.852	1.623	1.534	1.200	24	25	1658608-2
2.732	2.500	2.275	2.183	1.800	36	37	1658608-1
F	E	D	C	B	A	NO.OF POS.	PART NUMBER

THIS DRAWING IS A CONTROLLED DOCUMENT.

DWN	L. BAUM	6/12/03
CHK	C. ROHDE	6/12/03
APVD	M. WALMSLEY	6/12/03

TE Connectivity

PLUG ASSEMBLY, FRONT METAL SHELL, THREADED INSERTS, LEAD-FREE, AMPLIMITE HDF

SIZE	A2	CAGE CODE	00779	DRAWING NO	C=1658608	RESTRICTED TO	-
WEIGHT	-	SCALE	4:1	SHEET	1 of 1	REV	B1

CUSTOMER DRAWING