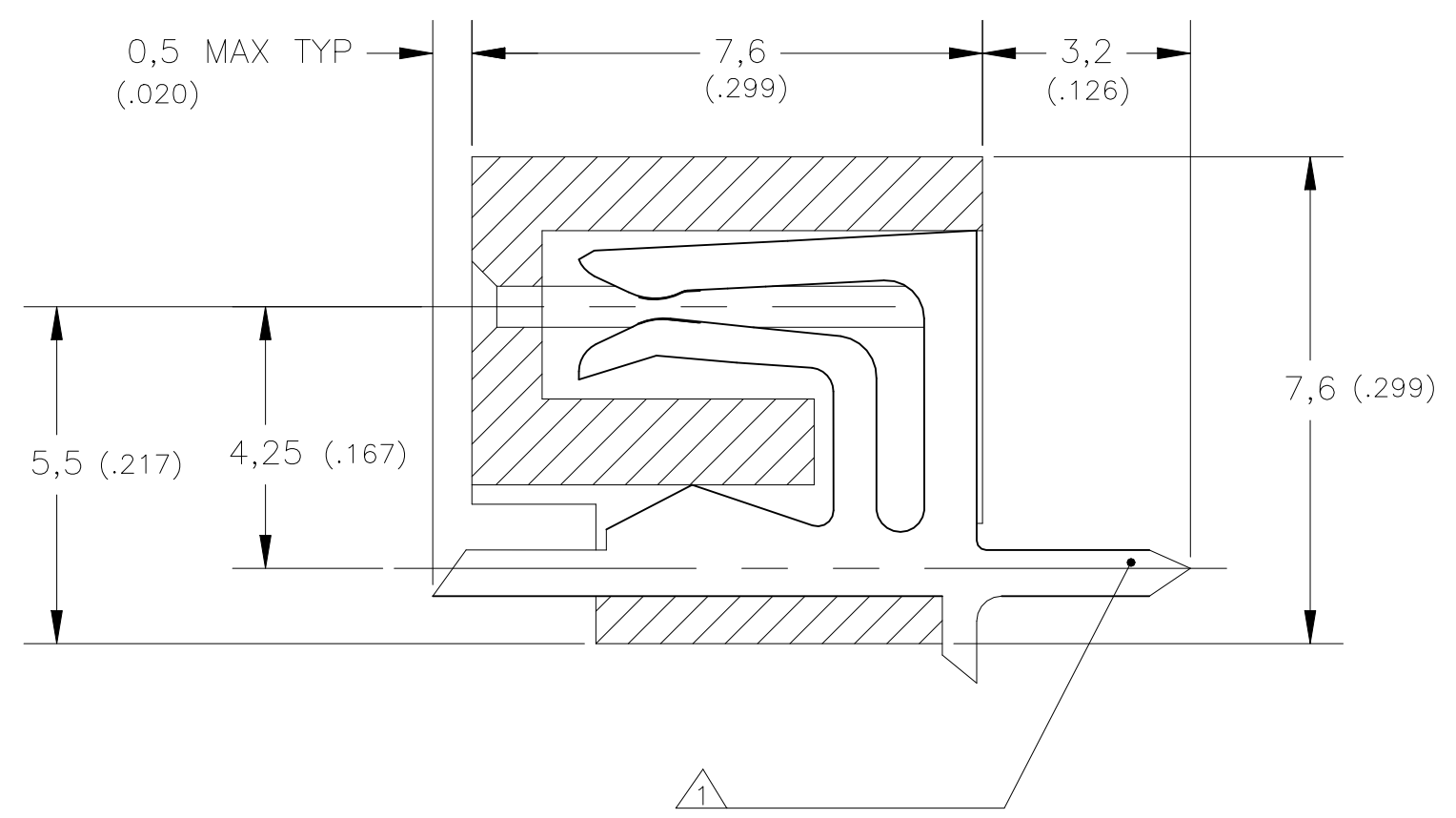
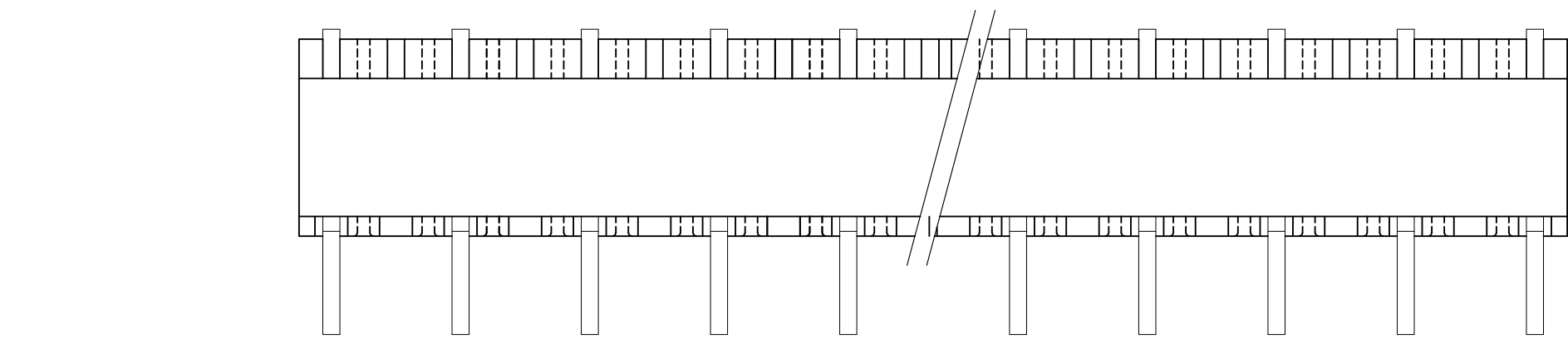
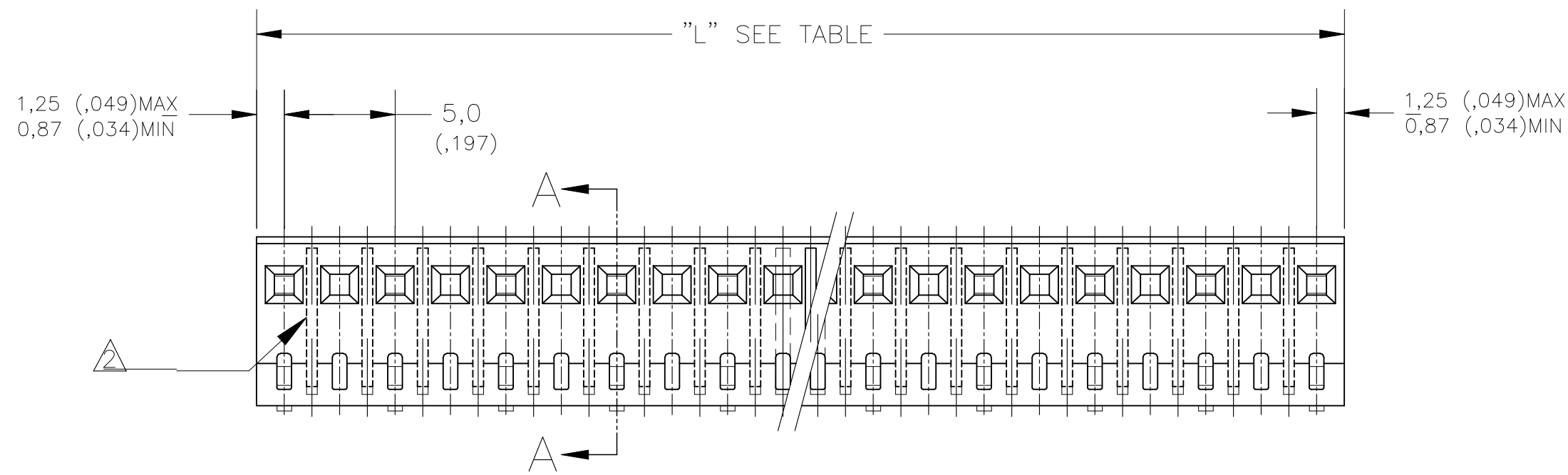


REVISIONS					
P	LTR	DESCRIPTION	DATE	DWN	APVD
F		Resin color changed from grey to black	21APR2022	SM	RMR



NOTES:

- 1 PREFERRED HOLE SIZE: $0,8^{+0,1}$ ($.031^{+.004}$) $0,9^{+0,1}$ ($.035^{+.004}$) $1,0^{+0,1}$ ($0.039^{+.004}$)
DEPENDING ON NUMBER OF POSITIONS OF CONNECTOR. FOR MORE INFORMATION PLEASE CONTACT PRODUCT ENGINEERING DEPARTMENT.
- 2 VERSIONS WITH OR WITHOUT SLOTS BETWEEN CAVITIES CAN BE USED INDIFFERENTLY
- 3 OBSOLETE

PART NUMBER	NUMBER OF LOADED POS.	"L" MAX.	
		mm	(inches)
163685-1	3	12,6	0.497
3 163685-2	4	17,6	0.694
3 163685-3	5	22,6	0.890
3 163685-4	6	27,6	1.087
3 163685-5	7	32,6	1.284
3 163685-6	8	37,6	1.481
3 163685-7	9	42,6	1.678
163685-8	10	47,6	1.875
3 163685-9	11	52,6	2.071
3 1-163685-1	12	57,6	2.268
3 1-163685-2	13	62,6	2.465
3 1-163685-3	14	67,6	2.662
3 1-163685-4	15	72,6	2.859
3 1-163685-5	16	77,6	3.055
3 1-163685-6	17	82,6	3.253
3 1-163685-7	18	87,6	3.449
3 1-163685-8	19	92,6	3.646
3 1-163685-9	20	97,6	3.843

MATERIAL HOUSING: BLACK CRASTIN SK643FR
RECEPTACLES: BRASS; TIN PLATED OVER NICKEL BARRIER

THIS DRAWING IS A CONTROLLED DOCUMENT.		DWN	16-03-1973	TE TE Connectivity	
DIMENSIONS: mm (INCHES)		CHK	-		
TOLERANCES UNLESS OTHERWISE SPECIFIED:		APVD	-	NAME	
0 PLC ± -		PRODUCT SPEC	-	C.I.S FEMALE CONNECTOR ASSEMBLY	
1 PLC ± -		APPLICATION SPEC	-	PITCH 5,0mm TOP ENTRY	
2 PLC ± .02		SIZE	A2	CAGE CODE	00779
3 PLC ± .005		DRAWING NO	C=163685		RESTRICTED TO
4 PLC ± .0005		WEIGHT	-	SCALE	4:1
ANGLES ± 0°, 30°		CUSTOMER DRAWING	SHEET		1 OF 1
FINISH		REV		F	