

4

3

2

1

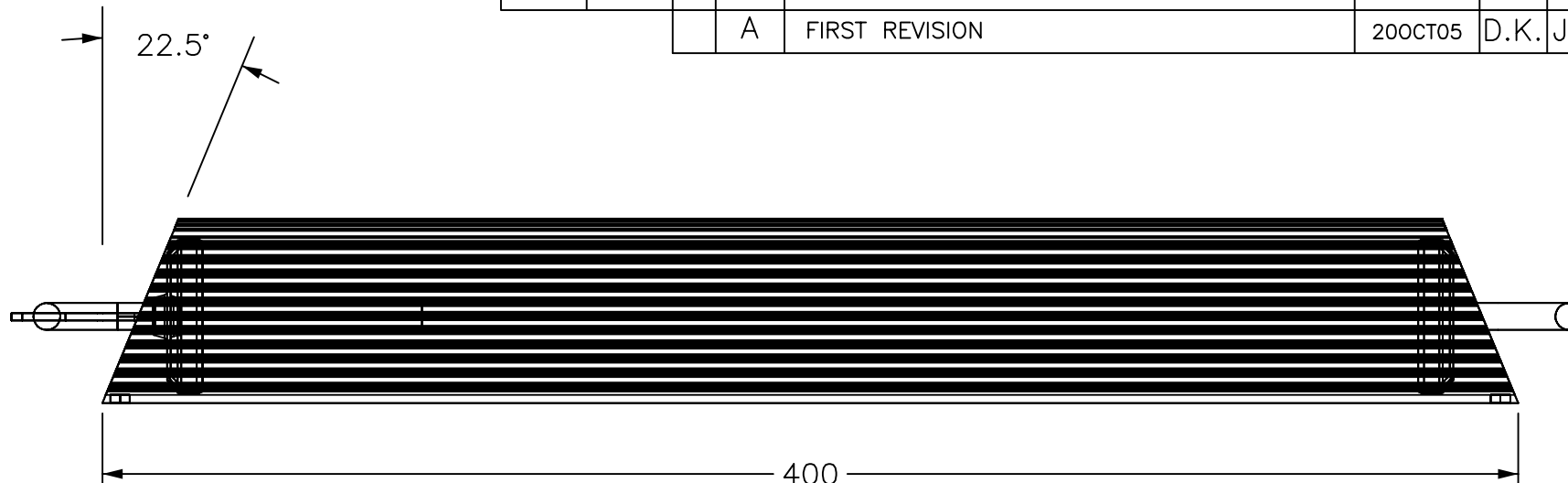
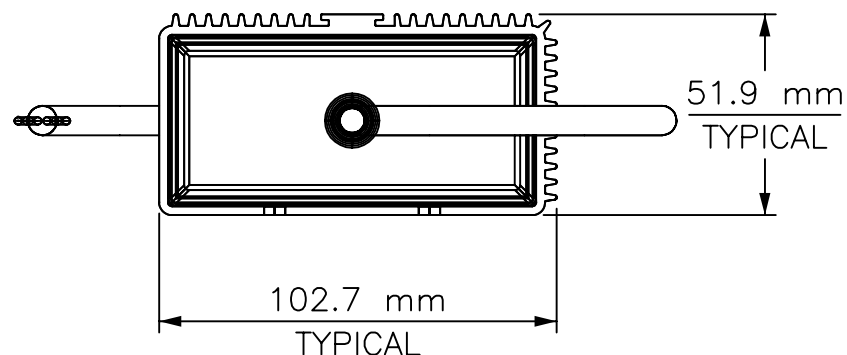
THIS DRAWING IS UNPUBLISHED.

RELEASED FOR PUBLICATION

OCT .2005.

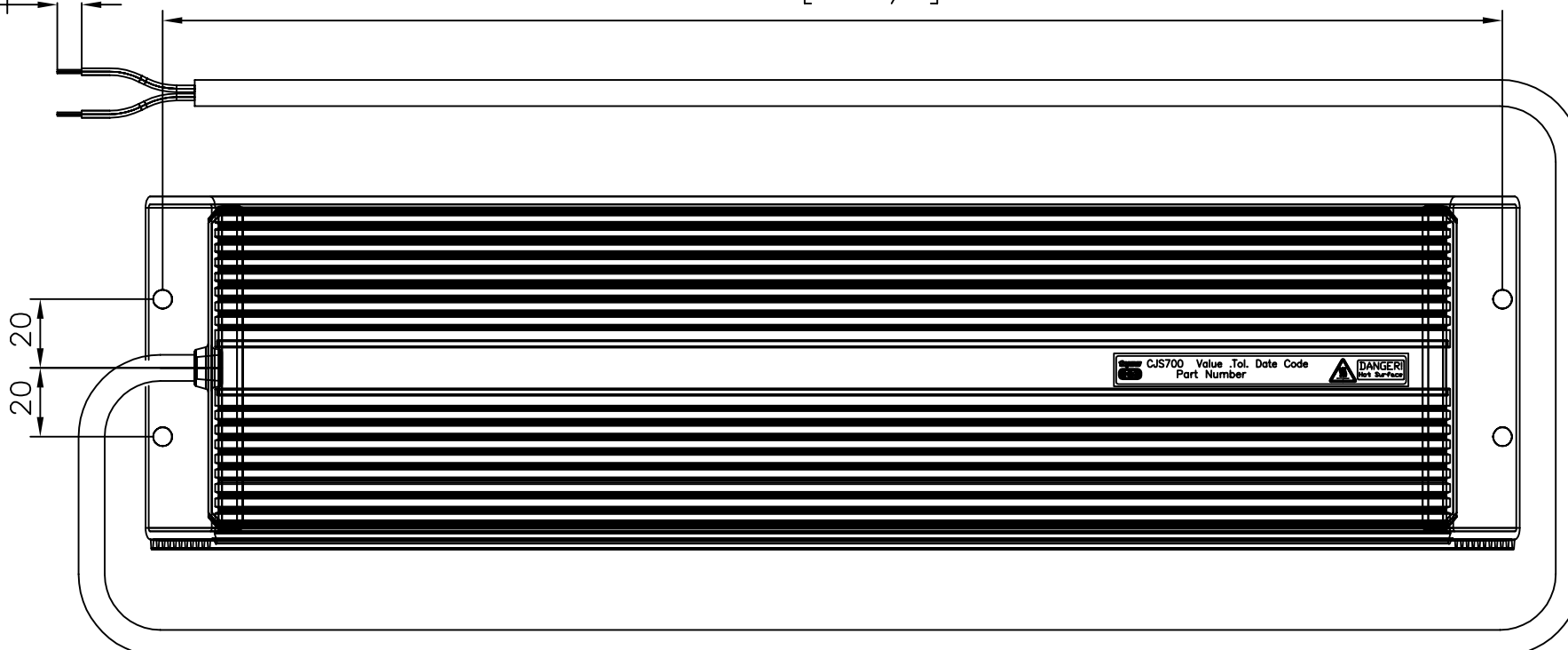
© COPYRIGHT 2005 BY TYCO ELECTRONICS CORPORATION. ALL RIGHTS RESERVED.

LOC	DIST	REVISIONS					
E	B	P	LTR	DESCRIPTION	DATE	DWN	APVD
		A		FIRST REVISION	20OCT05	D.K.	J.C.



5mm STRIP LENGTH

390 [43 3/4]



FOR A SPECIFIC PN FOR A RESISTANCE VALUE AND TOLERANCE, PLEASE REFER TO DMF.

CABLE:Silicone Rubber Insulated
 2 core x 30/0.25mm nickel plated copper conductors
 Inner cores R.T.I. 0.6mm Grade GPC – Colour Blue
 Outer sheath to O.D. 6.7mm Grade GPC – Colour Black
 CONTACT TYCO FOR INFORMATION ON CABLE LENGTH

RoHS Compliant

THIS DRAWING IS A CONTROLLED DOCUMENT.		DWN DAVE KENNEDY 19OCT05	tyco Electronics		Tyco Electronics Corporation Dorcan, Swindon, SN3 5HH	
DIMENSIONS: INCHES		CHK J CATCHPOLE 20OCT05	NAME CJS700			
TOLERANCES UNLESS OTHERWISE SPECIFIED:		APVD J CATCHPOLE 20OCT05	PRODUCT SPEC -			
MATERIAL		APPLICATION SPEC -	SIZE A3	CAGE CODE 00779	DRAWING NO C=1630302	RESTRICTED TO -
FINISH		WEIGHT -	CUSTOMER DRAWING		SCALE NTS	SHEET 1 OF 1 REV A