

THIS DRAWING IS UNPUBLISHED.

RELEASED FOR PUBLICATION

ALL RIGHTS RESERVED.

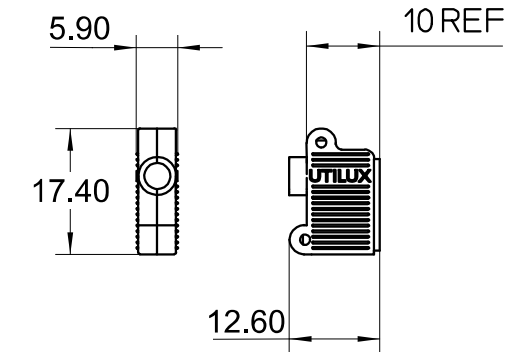
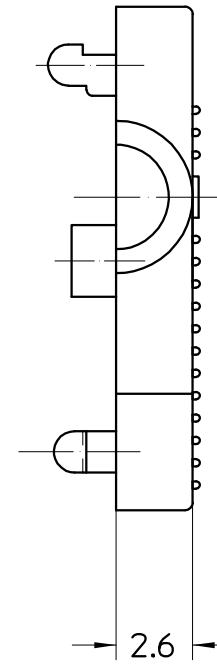
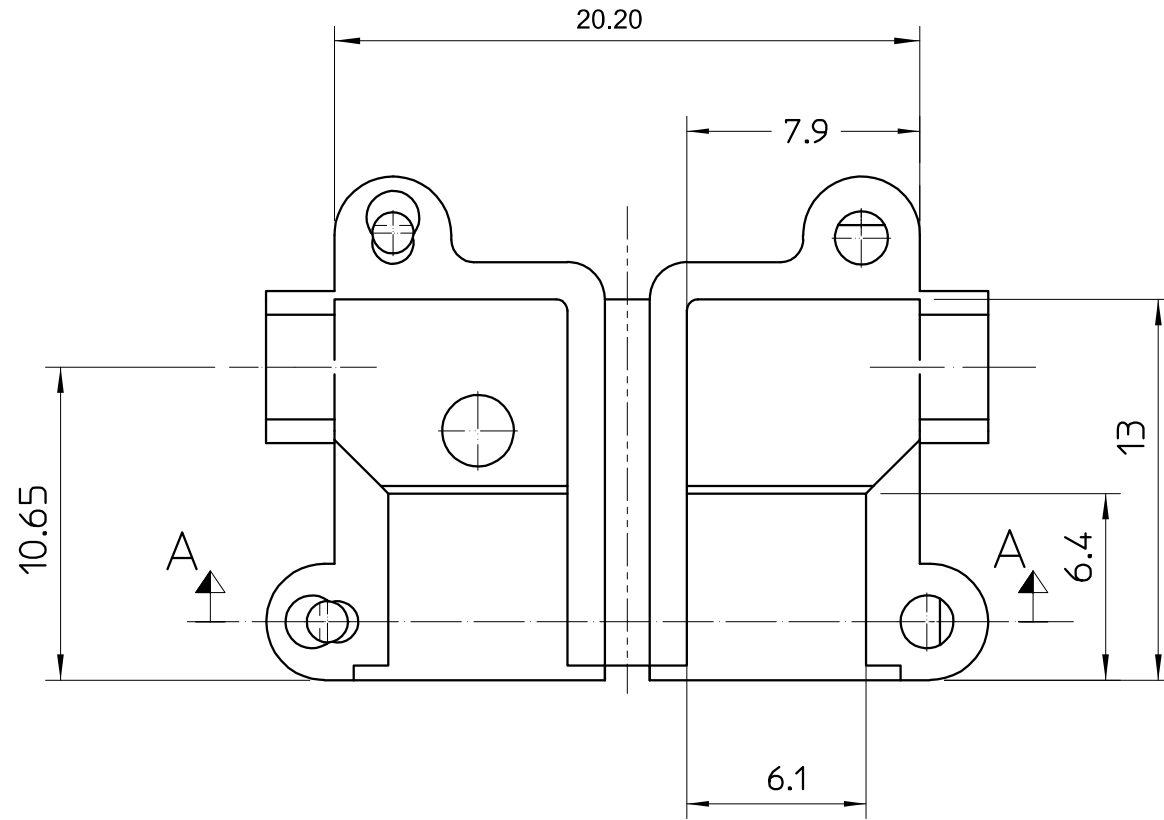
COPYRIGHT

LOC
U

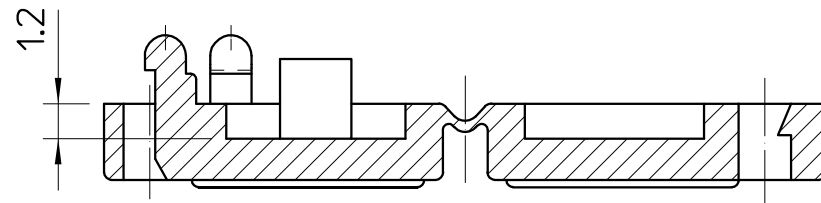
DIST
-

REVISIONS

P	LTR	DESCRIPTION	DATE	DWN	APVD
A		REVISED PER ECO-14-016770	08NOV2014	NK	RH



SCALE 1:1



A-A

NOTES:

1. TO SUIT QC 4.8 FLAG RECEPTACLE P/No1-1627016-0/-2/-3 (UTX P/No H1145).

NYLON 66 NATURAL	INSULATOR, -POST-FIT (H2094)	1-1627070-1
MATERIAL DESC.	DESCRIPTION (UTXP/N:)	PART No.

THIS DRAWING IS A CONTROLLED DOCUMENT.		DWN: V.MEDOVIKOV 01 OCT 08	TE TE Connectivity		
ALL DIMENSIONS IN mm:		CHK: W.RIEDE 01 OCT 08			
	TOLERANCES UNLESS OTHERWISE SPECIFIED: DIMENSION (mm) TOLERANCE(+mm) LESS THAN 10 0.4 OVER 10 TO 30 0.5 OVER 30 TO 80 0.7 OVER 80 TO 250 1.0 ANGLES ±2°	APVD: W.RIEDE 01 OCT 08	NAME:		
		MATERIAL REF BLOCK	FINISH REF BLOCK	PRODUCT SPEC:	INSULATOR, -POST-FIT
APPLICATION SPEC:	WEIGHT: -			SIZE A3	CAGE CODE
CUSTOMER DRAWING			SCALE 4:1	SHEET 1 OF 1	REV A