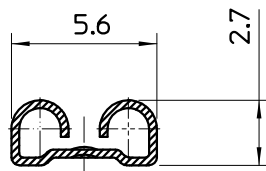
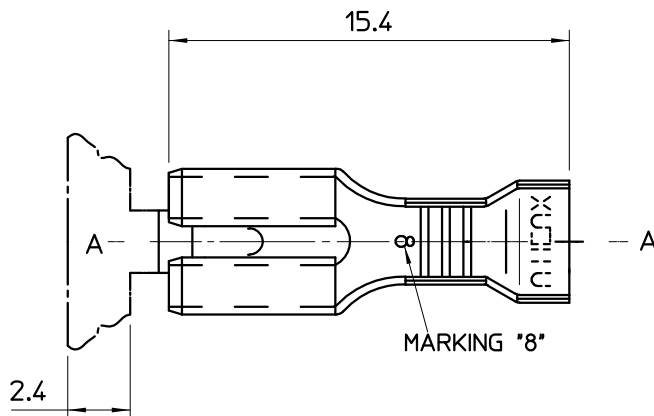


THIS DRAWING IS UNPUBLISHED. RELEASED FOR PUBLICATION  
 COPYRIGHT BY TYCO ELECTRONICS CORPORATION. ALL RIGHTS RESERVED.

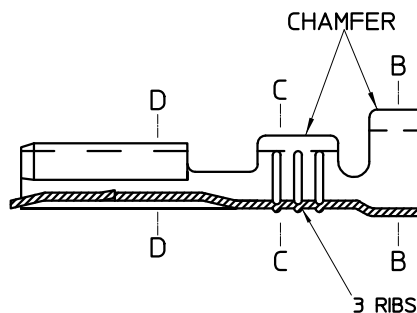
LOC		DIST		REVISIONS			
P	LTR	DESCRIPTION	DATE	DWN	APVD		

NOTES:

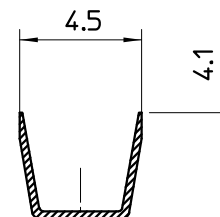
- 1. WIRE SIZE RANGE:  
 CONDUCTOR: 0.5mm<sup>2</sup> - 1.0mm<sup>2</sup>  
 INSULATION DIA.: 3.2mm MAX.



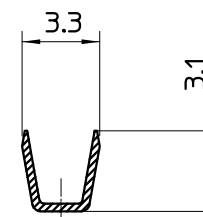
SECTION D-D



SECTION A-A



SECTION B-B



SECTION C-C

LOOSE PIECE	BRASS PRE-TIN	RECEPTACLE H1968	1-1627055-1
STRIP FORM	BRASS PRE-TIN	RECEPTACLE H1968	1-1627055-0
REMARKS	MATERIAL DESC.	DESCRIPTION	PART No.

THIS DRAWING IS A CONTROLLED DOCUMENT.		DWN: W. Riede 21.10.04	Tyco Electronics Corporation AUSTRALIA				
ALL DIMENSIONS IN mm:		CHK: H. Thai 21.10.04					
TOLERANCES UNLESS OTHERWISE SPECIFIED: DIMENSION (mm) TOLERANCE(mm) LESS THAN 10 0.4 OVER 10 TO 30 0.5 OVER 30 TO 80 0.7 OVER 80 TO 250 1.0 ANGLES ±2°		APVD: W. Riede 21.10.04	NAME: RECEPTACLE QC4.8x0.8				
		PRODUCT SPEC: -	SIZE: A3	CAGE CODE: -	DRAWING NO: 1627055	RESTRICTED TO: -	
MATERIAL: -		APPLICATION SPEC: -	CUSTOMER DRAWING		SCALE: 5:1	SHEET: 1 OF 1	REV: 0

THIS INFORMATION IS CONFIDENTIAL AND PROPRIETARY TO TYCO ELECTRONICS CORPORATION. IT IS TO BE KEPT SECRET AND NOT DISCLOSED TO ANYONE OTHER THAN TYCO ELECTRONICS PERSONNEL WITHOUT WRITTEN AUTHORIZATION FROM TYCO ELECTRONICS CORPORATION, MEMPHIS, PENNSYLVANIA, USA.