

4

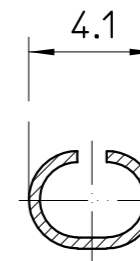
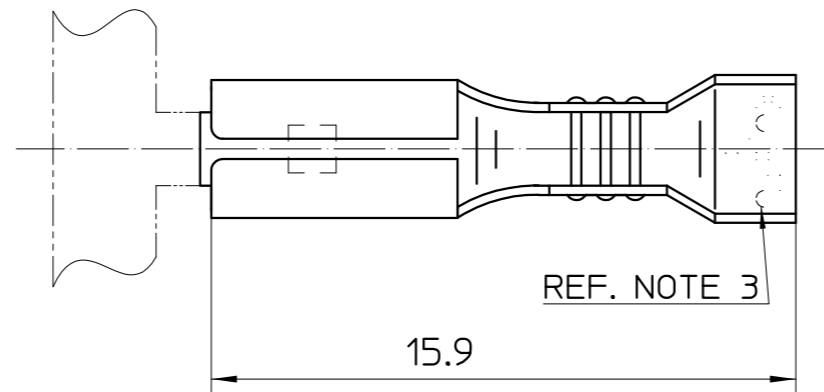
3

2

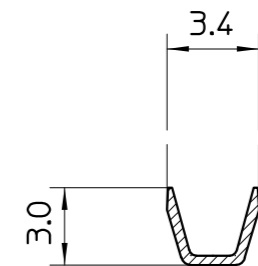
1

THIS DRAWING IS UNPUBLISHED. RELEASED FOR PUBLICATION
 © COPYRIGHT BY TYCO ELECTRONICS CORPORATION. ALL RIGHTS RESERVED.

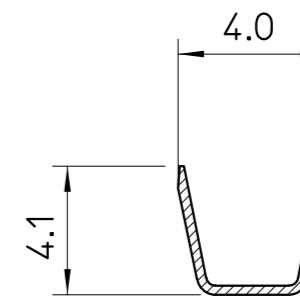
LOC	DIST	REVISIONS					
U	-	P	LTR	DESCRIPTION	DATE	DWN	APVD
		A		REDRAWN - WAS UTX DRG N° 01.01867D.01	10 SEP 08	V.M.	W.R.



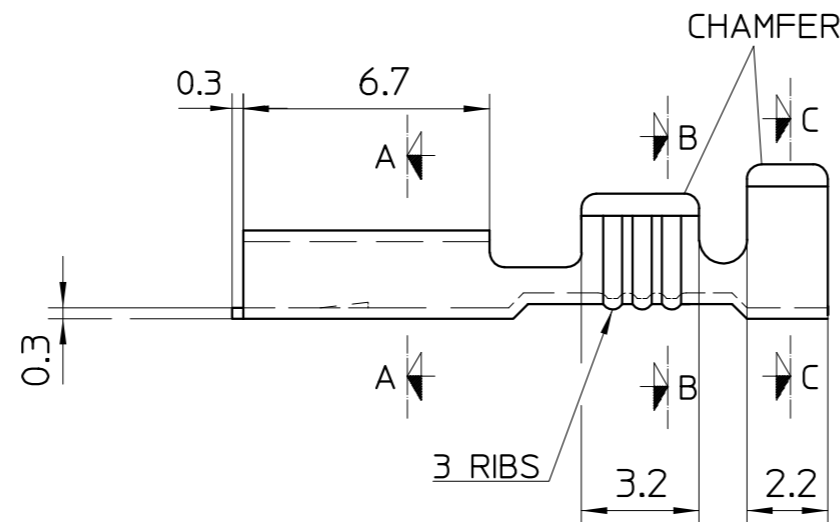
A-A



B-B



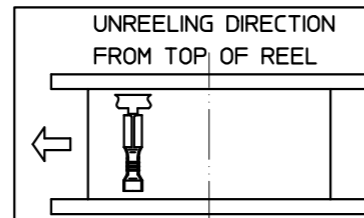
C-C



NOTES:

- WIRE RANGE:
 CONDUCTOR: 0.4-1.0mm².
 INSULATION: ϕ 3.3mm. MAX.
- RECEPTACLE TO SUIT ϕ 2.36mm PIN TERMINAL.
- 'UTILUX' OR 'AMP' LOGO STAMPED AS REQUIRED.

THIS INFORMATION IS CONFIDENTIAL AND PROPRIETARY TO TYCO ELECTRONICS CORPORATION AND ITS WORLDWIDE SUBSIDIARIES AND AFFILIATES. IT MAY NOT BE DISCLOSED TO ANYONE OTHER THAN TYCO ELECTRONICS PERSONNEL WITHOUT WRITTEN AUTHORIZATION FROM TYCO ELECTRONICS CORPORATION, HARRISBURG, PENNSYLVANIA, USA.



THIS DRAWING IS A CONTROLLED DOCUMENT.

ALL DIMENSIONS IN mm:	TOLERANCES UNLESS OTHERWISE SPECIFIED: DIMENSION (mm) TOLERANCE(+/-mm) LESS THAN 10 0.4 OVER 10 TO 30 0.5 OVER 30 TO 80 0.7 OVER 80 TO 250 1.0 ANGLES $\pm 2^\circ$
-----------------------	---

MATERIAL: REF BLOCK
 FINISH: NATURAL

DWN:	V.MEDOVIKOV 10 SEP 08
CHK:	W.RIEDE 10 SEP 08
APVD:	W.RIEDE 10 SEP 08
PRODUCT SPEC:	-
APPLICATION SPEC:	-
WEIGHT:	-

BRASS C26000	RECEPTACLE, PIN (H1867D)	1-1627042-1
MATERIAL DESC.	DESCRIPTION (UTXP/N:)	PART No.

		Kingsgrove AUSTRALIA	
NAME: RECEPTACLE, PIN			

SIZE	CAGE CODE	DRAWING NO	RESTRICTED TO
A3		©-1627042	-

CUSTOMER DRAWING SCALE 5:1 SHEET 1 OF 1 REV A