

4

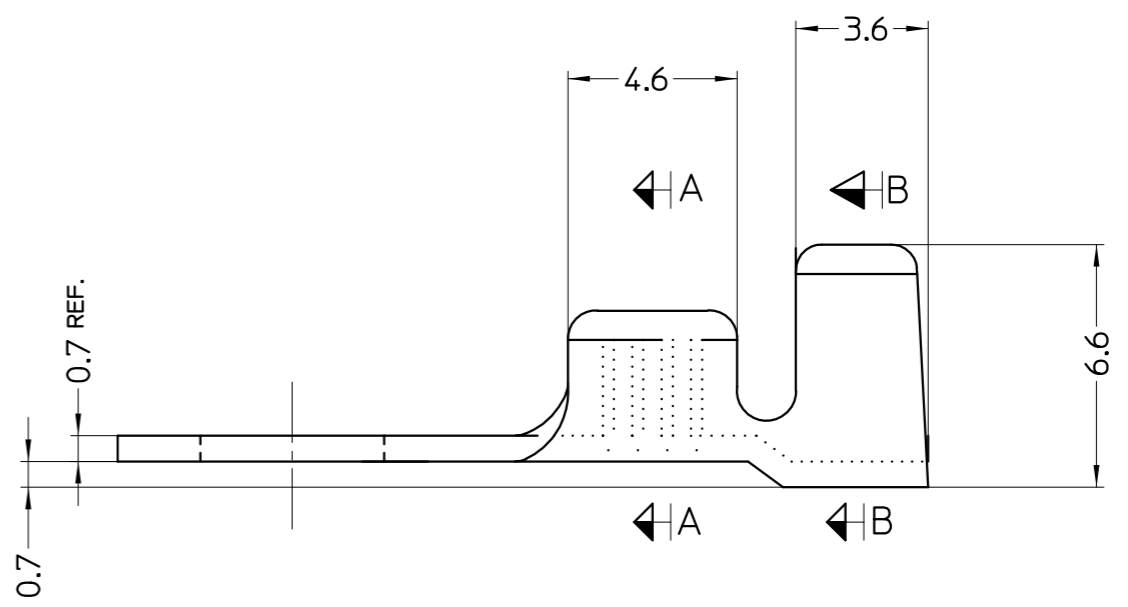
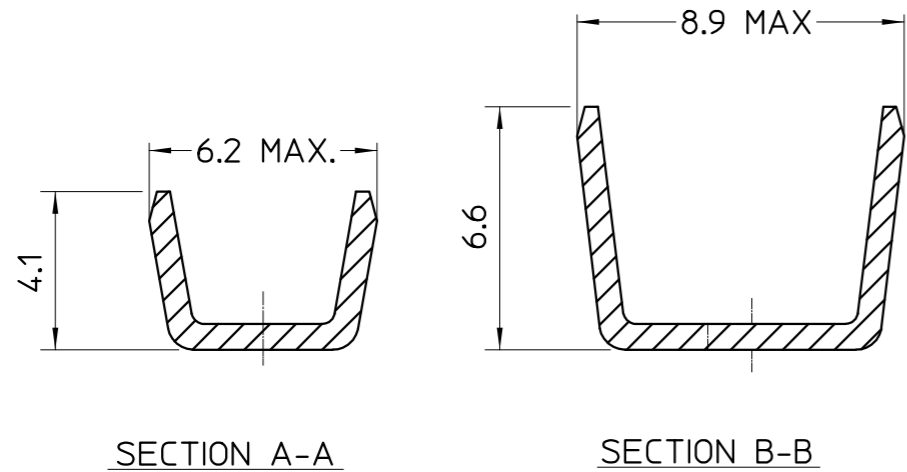
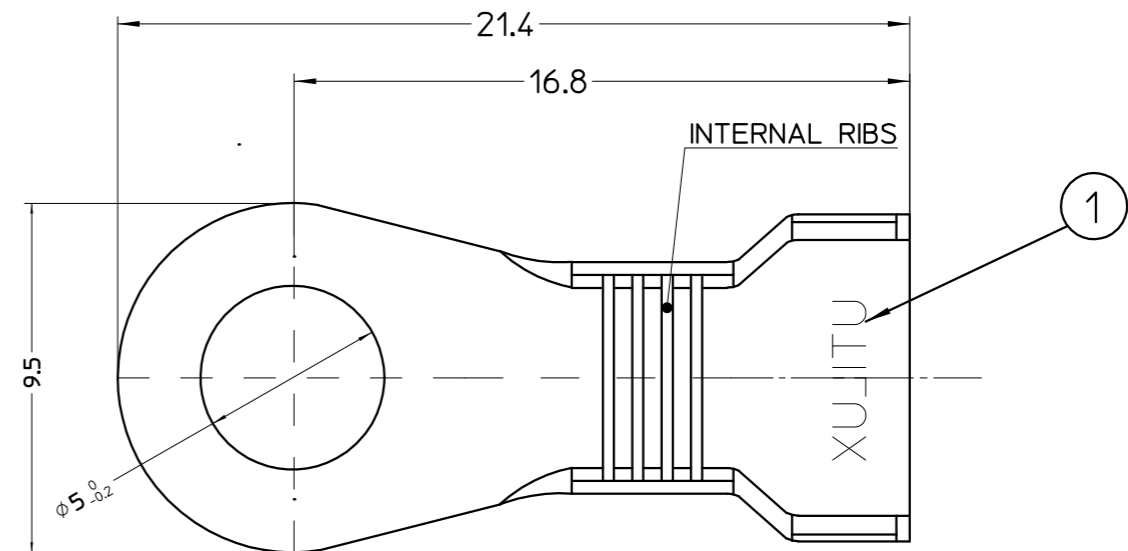
3

2

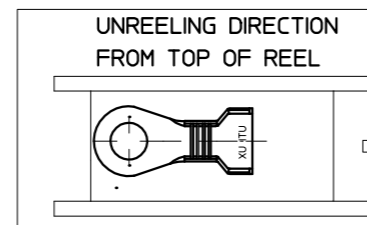
1

THIS DRAWING IS UNPUBLISHED. RELEASED FOR PUBLICATION
 © COPYRIGHT BY TYCO ELECTRONICS CORPORATION. ALL RIGHTS RESERVED.

LOC	DIST	REVISIONS					
		P	LTR	DESCRIPTION	DATE	DWN	APVD
U	-	-	-	-	-	-	-



- NOTES:
- 'UTILUX' OR 'AMP' LOGO STAMPED AS REQUIRED.
 - WIRE SIZE RANGE:
 CONDUCTOR: (2 x 0.5mm²) - 2.5 mm²
 INSULATION: ϕ 4.6mm max.



THIS DRAWING IS A CONTROLLED DOCUMENT.		DWN: HT 20-03-07	Tyco Electronics Corporation AUSTRALIA			
ALL DIMENSIONS IN mm:		CHK: WR 20-03-07				
TOLERANCES UNLESS OTHERWISE SPECIFIED: DIMENSION (mm) TOLERANCE (+mm) LESS THAN 10 0.4 OVER 10 TO 30 0.5 OVER 30 TO 80 0.7 OVER 80 TO 250 1.0 ANGLES \pm 2°		APVD: WR 20-03-07				
MATERIAL REF. BLOCK		PRODUCT SPEC: -	NAME: TERMINAL, RING/EYE			
FINISH REF. BLOCK		APPLICATION SPEC: -				
MATERIAL: BRASS 70/30 FINISH: PRE-TIN		WEIGHT: -	SIZE: A3	CAGE CODE: -	DRAWING NO: ©-1627038	RESTRICTED TO: -
CUSTOMER DRAWING			SCALE: NTS	SHEET: 1 OF 1	REV: 0	

THIS INFORMATION IS CONFIDENTIAL AND PROPRIETARY TO TYCO ELECTRONICS CORPORATION AND ITS WORLDWIDE SUBSIDIARIES AND AFFILIATES. IT MAY NOT BE DISCLOSED TO ANYONE OTHER THAN TYCO ELECTRONICS PERSONNEL WITHOUT WRITTEN AUTHORIZATION FROM TYCO ELECTRONICS CORPORATION, HARRISBURG, PENNSYLVANIA, USA.