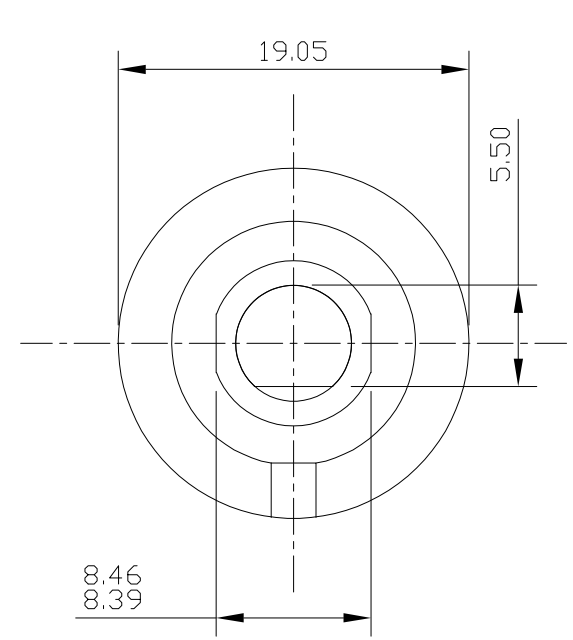
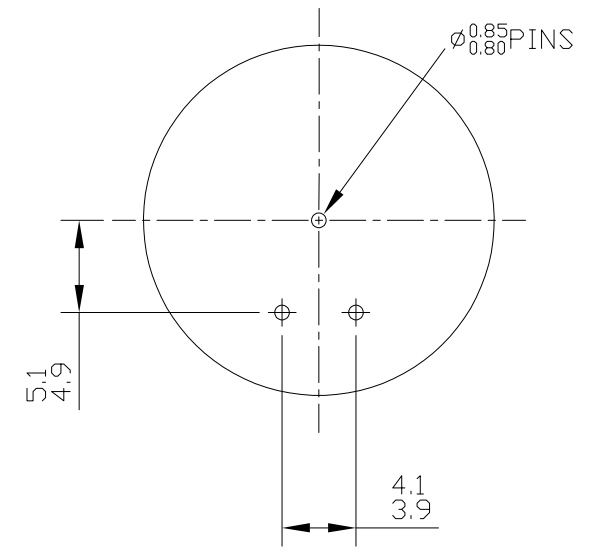
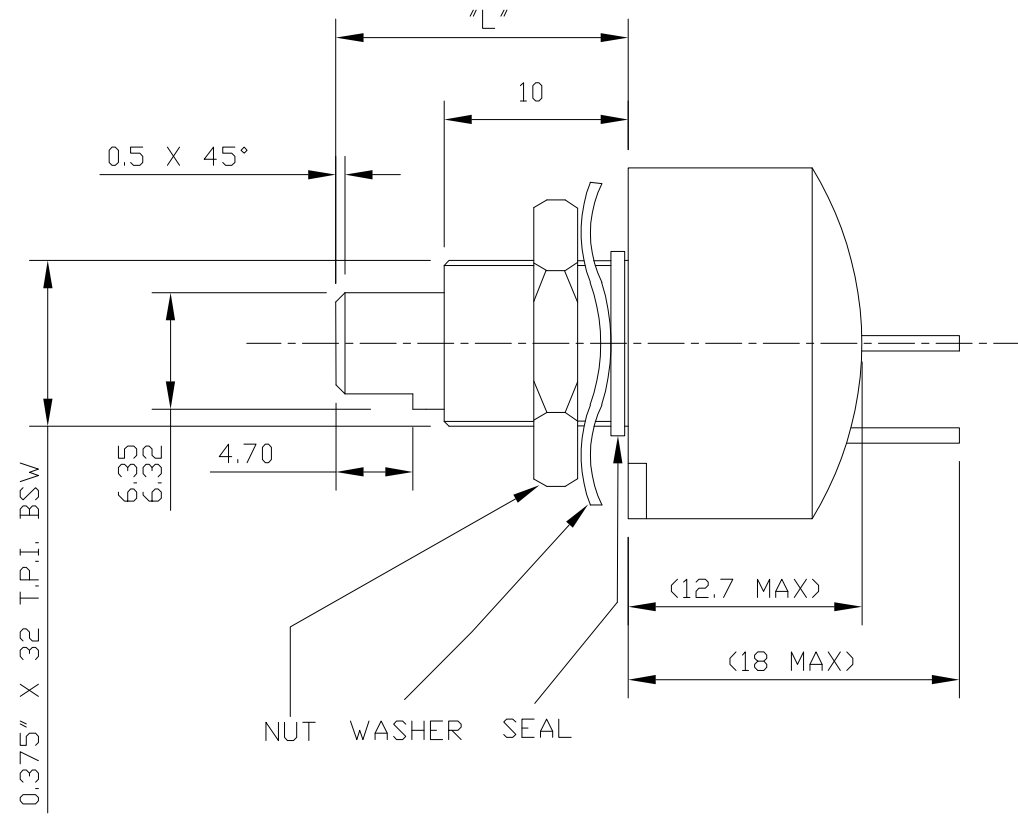


THIS DRAWING IS UNPUBLISHED. RELEASED FOR PUBLICATION
 © COPYRIGHT - By - ALL RIGHTS RESERVED.

LOC	DIST	REVISIONS					
E	B	P	LTR	DESCRIPTION	DATE	DWN	APVD
		K		INITIAL RELEASE	16AUG2014	KR	TN



END VIEW ON SHAFT
 (NUT, WASHER & SEAL
 DELETED FOR CLARITY)
 WITH WIPER IN MID POSITION



TECHNICAL SPECIFICATION

- ISOLATION VOLTAGE : 450V DC
- ELECTRICAL ROTATION : 210°
- TERMINAL RESISTANCE : < 3 OHMS
- INSULATION RESISTANCE : >1 G OHMS
- VOLTAGE PROOF : 630V AC PEAK
- MECHANICAL ROTATION : 270°
- STARTING TORQUE : < 40 mNm
- END STOP TORQUE : 800 mNm
- TCR (20°C TO 70°C) : 0.75%
- CLAMATIC CATEGORY : 40/070/56
- SHAFT : SEE DATA SHEET FOR OPTIONS.
FLATTED SHAFT SHOWN

FOR MORE INFORMATION PLEASE SEE DATA SHEET
 FOR TYPE M SERIES POTENTIOMETERS

RoHS Compliant

THIS DRAWING IS A CONTROLLED DOCUMENT.		DWN RAGHAVENDRA K 16AUG2014	TE Connectivity		
DIMENSIONS: mm		CHK ALLAN P 16AUG2014			
TOLERANCES UNLESS OTHERWISE SPECIFIED:		APVD TONY N 16AUG2014	NAME GENERAL ASSEMBLY MCU POTENTIOMETER		
0 PLC ± 1 1 PLC ± 0.4 2 PLC ± 0.13 3 PLC ± - 4 PLC ± - ANGLES ± 0.5		PRODUCT SPEC -	SIZE A3		
MATERIAL -		APPLICATION SPEC -	CAGE CODE 00779	DRAWING NO C-1625931	RESTRICTED TO -
FINISH -		WEIGHT -	CUSTOMER DRAWING		SCALE NTS
		SHEET 1 OF 1		REV K	