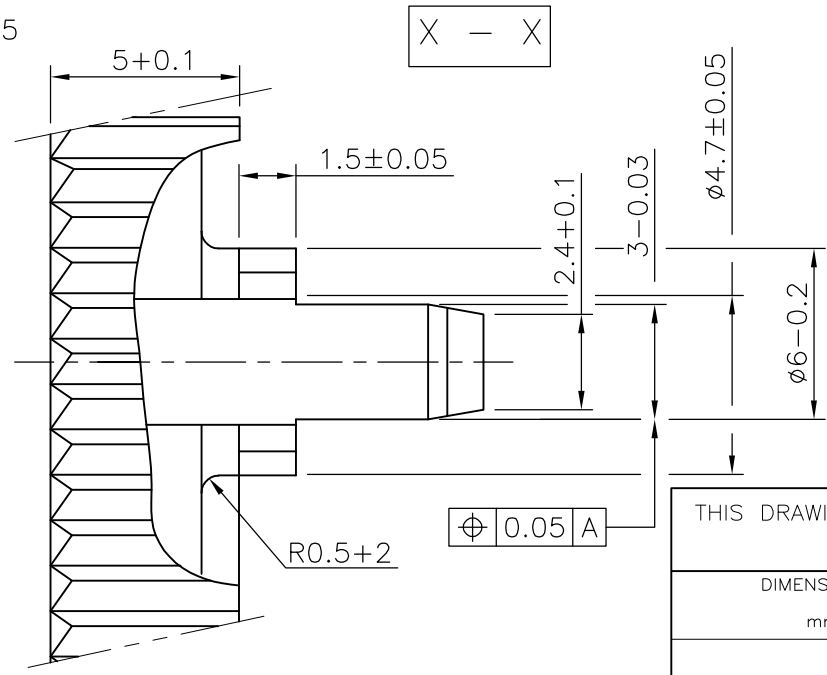
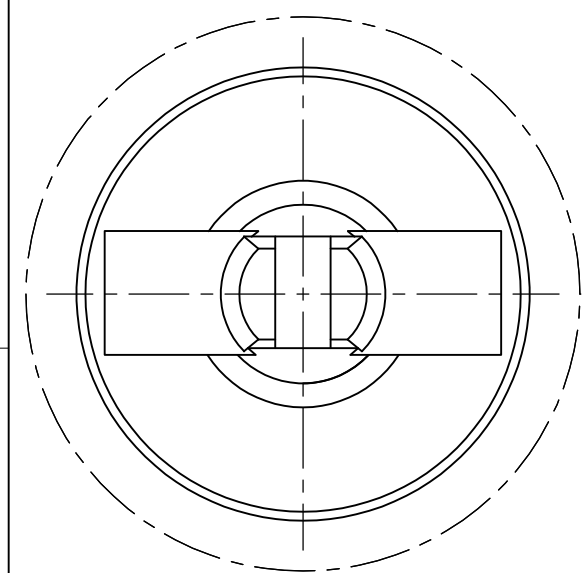
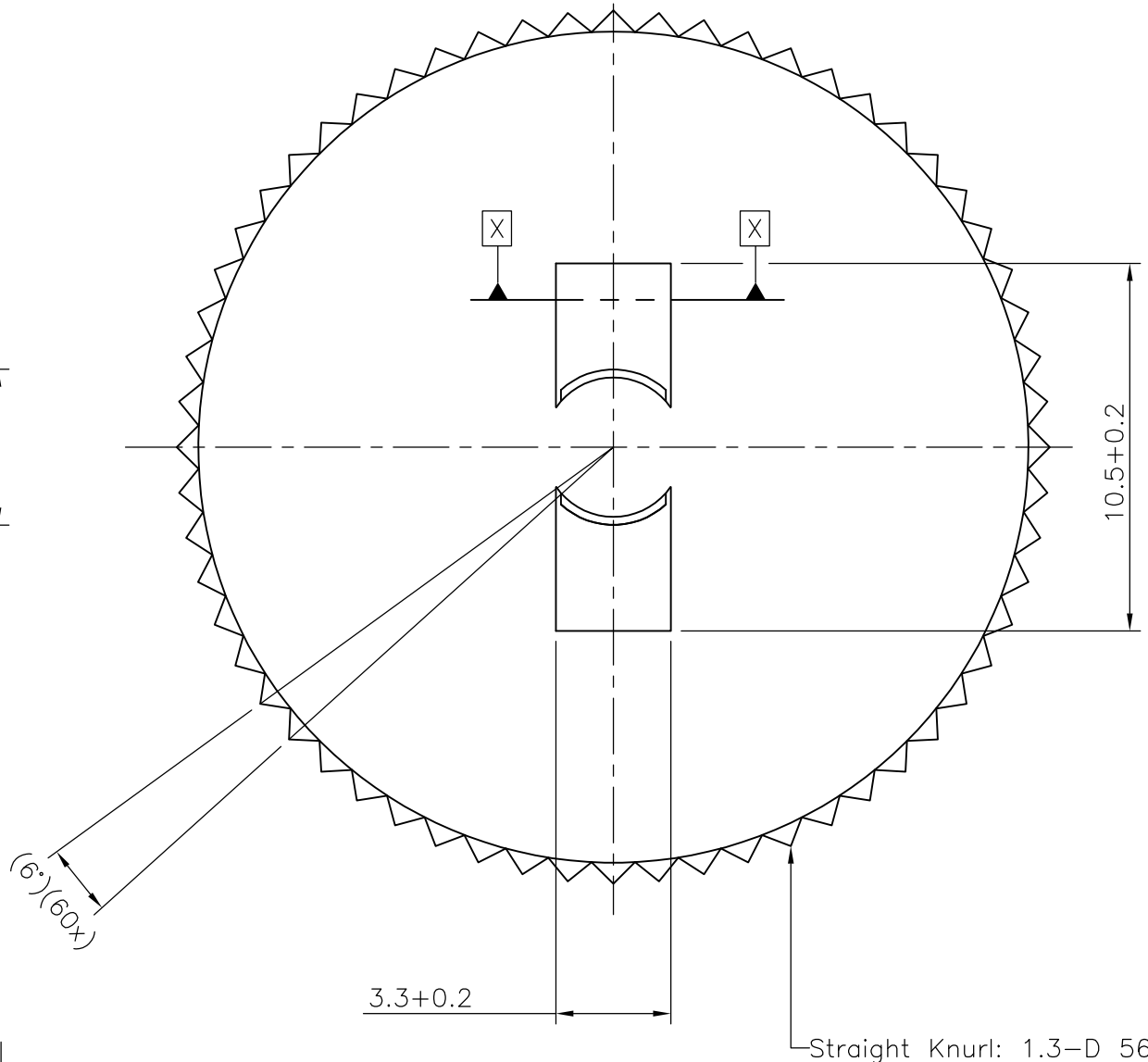
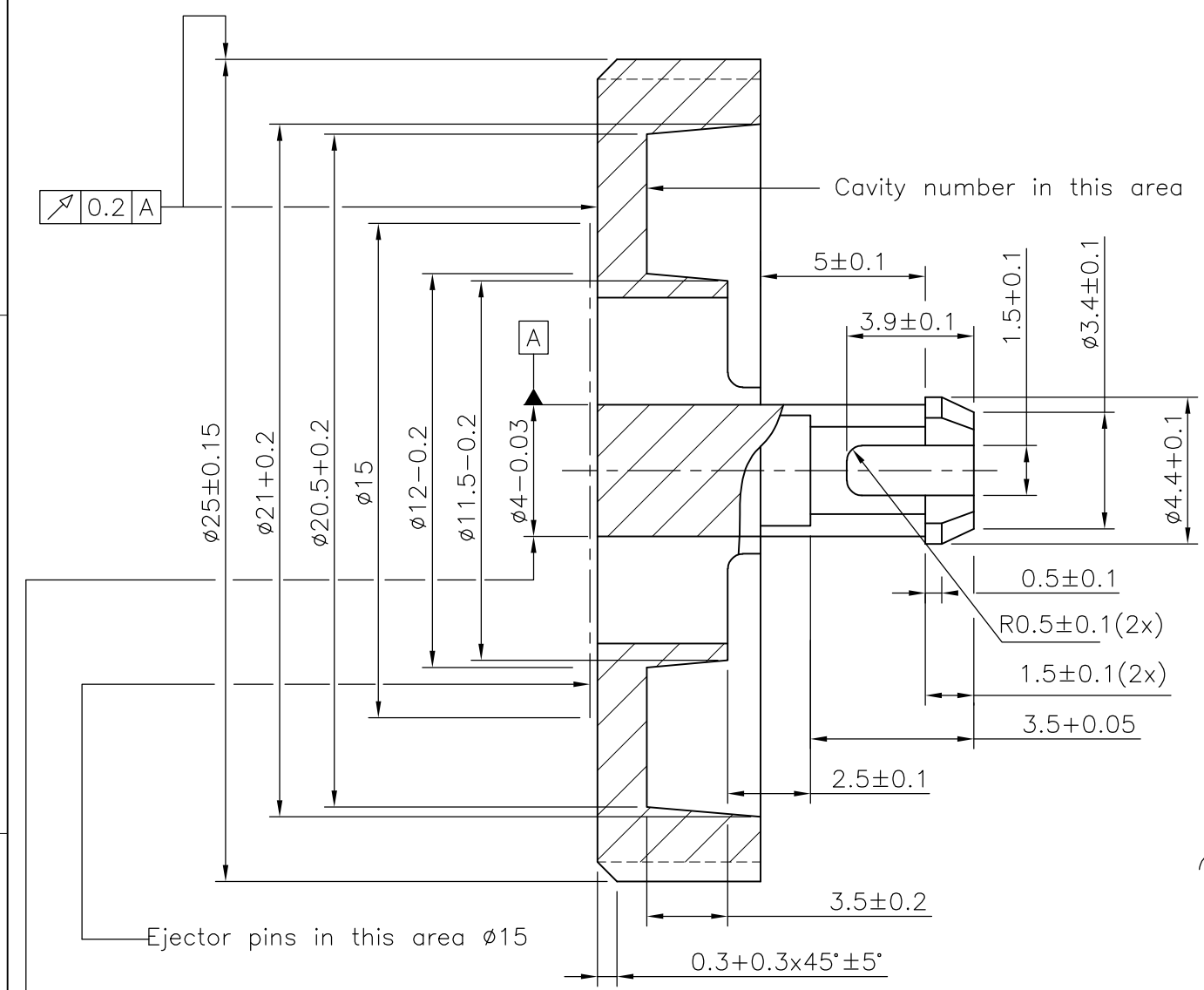


THIS DRAWING IS UNPUBLISHED. RELEASED FOR PUBLICATION
 © COPYRIGHT - By - ALL RIGHTS RESERVED.

LOC E	DIST B	REVISIONS		
P	LTR	DESCRIPTION	DATE	DWN
	BA	NEW DRAWING	25JAN2013	KR
				APVD TN



THIS DRAWING IS A CONTROLLED DOCUMENT.		DWN RAGHAVENDRA K 25JAN2013	TE Connectivity		
DIMENSIONS: mm		CHK ALLAN P 28JAN2013			
TOLERANCES UNLESS OTHERWISE SPECIFIED:		APVD TONY N 28JAN2013	NAME 25MM DIA E/WHEEL-BLACK- 5904620121		
0 PLC $\pm -$ 1 PLC $\pm -$ 2 PLC $\pm -$ 3 PLC $\pm -$ 4 PLC $\pm -$ ANGLES $\pm -$		PRODUCT SPEC -	APPLICATION SPEC -		
MATERIAL Polyfenyleenoxidespuitgietmassa-zwart Kleurnr 701-1322 654 89001 (Noryl V0-150B)		FINISH -	WEIGHT -	SIZE A3	CAGE CODE 00779
CUSTOMER DRAWING			DRAWING NO C-1625895-5	RESTRICTED TO -	
SCALE NTS			SHEET 1 OF 1	REV BA	