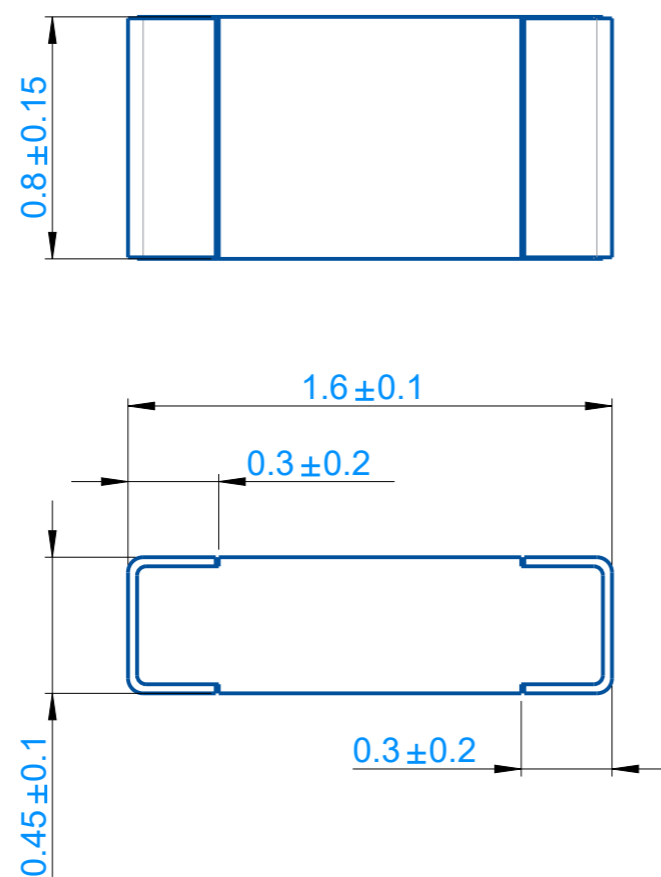


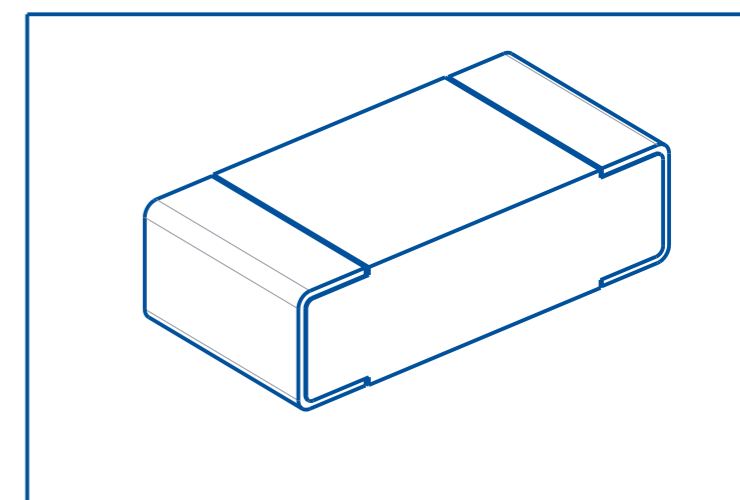
REVISIONS

P	LTR	DESCRIPTION	DATE	DWN	APVD
	BB	NEW RELEASE	15DEC2021	DM	AP

FOR FURTHER INFORMATION SEE DATA SHEET FOR CRG SERIES-THICK FILM CHIP RESISTORS



RoHS Compliant




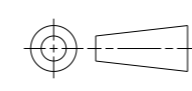
THIS DRAWING IS A CONTROLLED DOCUMENT.		DWN DHEERAJ M 15DEC2021		
		CHK ALLAN P 15DEC2021		
		APVD ALLAN P 15DEC2021	NAME RESISTOR LAB KIT TYPE CRG0603 SERIES	
DIMENSIONS: mm		PRODUCT SPEC -	RESTRICTED TO -	
TOLERANCES UNLESS OTHERWISE SPECIFIED:		APPLICATION SPEC -	SIZE A3	CAGE CODE 00779
0 PLC ± 0.5		WEIGHT -	DRAWING NO C-1625873-3	SCALE 40:1
1 PLC ± 0.2		CUSTOMER DRAWING	SHEET 1 OF 3	REV BB
2 PLC ± 0.1				
3 PLC ± -				
4 PLC ± -				
ANGLES ± 5°				
MATERIAL -	FINISH -			

REVISIONS

P	LTR	DESCRIPTION	DATE	DWN	APVD
-		SEE SHEET 1	-	-	-

Part Number	Product Number	Description	Qty / Kit
1623094-1	CRG0603F0R0	CRG0603 ZEROHM	100
1622831-1	CRG0603F10R	CRG0603 1% 10R	100
1622835-1	CRG0603F11R	CRG0603 1% 11R	100
1622842-1	CRG0603F12R	CRG0603 1% 12R	100
1622846-1	CRG0603F13R	CRG0603 1% 13R	100
1622854-1	CRG0603F15R	CRG0603 1% 15R	100
1622858-1	CRG0603F16R	CRG0603 1% 16R	100
1622865-1	CRG0603F18R	CRG0603 1% 18R	100
1622882-1	CRG0603F20R	CRG0603 1% 20R	100
1622888-1	CRG0603F22R	CRG0603 1% 22R	100
1622895-1	CRG0603F24R	CRG0603 1% 24R	100
1622900-1	CRG0603F27R	CRG0603 1% 27R	100
1622916-1	CRG0603F30R	CRG0603 1% 30R	100
1622922-1	CRG0603F33R	CRG0603 1% 33R	100
1622928-1	CRG0603F36R	CRG0603 1% 36R	100
1622934-1	CRG0603F39R	CRG0603 1% 39R	100
1622946-1	CRG0603F43R	CRG0603 1% 43R	100
1622954-1	CRG0603F47R	CRG0603 1% 47R	100
1622966-1	CRG0603F51R	CRG0603 1% 51R	100
1622971-1	CRG0603F56R	CRG0603 1% 56R	100
1622983-1	CRG0603F62R	CRG0603 1% 62R	100
1622988-1	CRG0603F68R	CRG0603 1% 68R	100
1622997-1	CRG0603F75R	CRG0603 1% 75R	100
1623003-1	CRG0603F82R	CRG0603 1% 82R	100
1623011-1	CRG0603F91R	CRG0603 1% 91R	100
1622828-1	CRG0603F100R	CRG0603 1% 100R	100
1622833-1	CRG0603F110R	CRG0603 1% 110R	100
1622837-1	CRG0603F120R	CRG0603 1% 120R	100
1622844-1	CRG0603F130R	CRG0603 1% 130R	100
1622852-1	CRG0603F150R	CRG0603 1% 150R	100

Part Number	Product Number	Description	Qty / Kit
1622856-1	CRG0603F160R	CRG0603 1% 160R	100
1622861-1	CRG0603F180R	CRG0603 1% 180R	100
1622880-1	CRG0603F200R	CRG0603 1% 200R	100
1622884-1	CRG0603F220R	CRG0603 1% 220R	100
1622892-1	CRG0603F240R	CRG0603 1% 240R	100
1622897-1	CRG0603F270R	CRG0603 1% 270R	100
1622912-1	CRG0603F300R	CRG0603 1% 300R	100
1622918-1	CRG0603F330R	CRG0603 1% 330R	100
1622926-1	CRG0603F360R	CRG0603 1% 360R	100
1622931-1	CRG0603F390R	CRG0603 1% 390R	100
1622944-1	CRG0603F430R	CRG0603 1% 430R	100
1622949-1	CRG0603F470R	CRG0603 1% 470R	100
1622963-1	CRG0603F510R	CRG0603 1% 510R	100
1622969-1	CRG0603F560R	CRG0603 1% 560R	100
1622981-1	CRG0603F620R	CRG0603 1% 620R	100
1622985-1	CRG0603F680R	CRG0603 1% 680R	100
1622995-1	CRG0603F750R	CRG0603 1% 750R	100
1623000-1	CRG0603F820R	CRG0603 1% 820R	100
1623009-1	CRG0603F910R	CRG0603 1% 910R	100
1622866-1	CRG0603F1K0	CRG0603 1% 1K0	100
1622868-1	CRG0603F1K1	CRG0603 1% 1K1	100
1622869-1	CRG0603F1K2	CRG0603 1% 1K2	100
1622870-1	CRG0603F1K3	CRG0603 1% 1K3	100
1622872-1	CRG0603F1K5	CRG0603 1% 1K5	100
1622873-1	CRG0603F1K6	CRG0603 1% 1K6	100
1622876-1	CRG0603F1K8	CRG0603 1% 1K8	100
1622901-1	CRG0603F2K0	CRG0603 1% 2K0	100
1622902-1	CRG0603F2K2	CRG0603 1% 2K2	100
1622905-1	CRG0603F2K4	CRG0603 1% 2K4	100
1622907-1	CRG0603F2K7	CRG0603 1% 2K7	100
1622935-1	CRG0603F3K0	CRG0603 1% 3K0	100


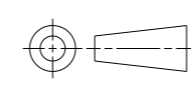
THIS DRAWING IS A CONTROLLED DOCUMENT.		DWN DHEERAJ M 15DEC2021	 TE Connectivity		
DIMENSIONS: mm		CHK ALLAN P 15DEC2021			
TOLERANCES UNLESS OTHERWISE SPECIFIED:		APVD ALLAN P 15DEC2021	NAME RESISTOR LAB KIT TYPE CRG0603 SERIES		
		PRODUCT SPEC -	RESTRICTED TO -		
MATERIAL -		APPLICATION SPEC -	SIZE A3	CAGE CODE 00779	DRAWING NO C-1625873-3
FINISH -		WEIGHT -	SCALE 40:1		
		CUSTOMER DRAWING		SHEET 2 OF 3	REV BB

REVISIONS

P	LTR	DESCRIPTION	DATE	DWN	APVD
-		SEE SHEET 1	-	-	-

Part Number	Product Number	Description	Qty / Kit
1622937-1	CRG0603F3K3	CRG0603 1% 3K3	100
1622940-1	CRG0603F3K6	CRG0603 1% 3K6	100
1622941-1	CRG0603F3K9	CRG0603 1% 3K9	100
1622958-1	CRG0603F4K3	CRG0603 1% 4K3	100
1622960-1	CRG0603F4K7	CRG0603 1% 4K7	100
1622972-1	CRG0603F5K1	CRG0603 1% 5K1	100
1622975-1	CRG0603F5K6	CRG0603 1% 5K6	100
1622990-1	CRG0603F6K2	CRG0603 1% 6K2	100
1622991-1	CRG0603F6K8	CRG0603 1% 6K8	100
1622998-1	CRG0603F7K5	CRG0603 1% 7K5	100
1623004-1	CRG0603F8K2	CRG0603 1% 8K2	100
1623014-1	CRG0603F9K1	CRG0603 1% 9K1	100
1622829-1	CRG0603F10K	CRG0603 1% 10K	100
1622834-1	CRG0603F11K	CRG0603 1% 11K	100
1622838-1	CRG0603F12K	CRG0603 1% 12K	100
1622845-1	CRG0603F13K	CRG0603 1% 13K	100
1622853-1	CRG0603F15K	CRG0603 1% 15K	100
1622857-1	CRG0603F16K	CRG0603 1% 16K	100
1622862-1	CRG0603F18K	CRG0603 1% 18K	100
1622881-1	CRG0603F20K	CRG0603 1% 20K	100
1622886-1	CRG0603F22K	CRG0603 1% 22K	100
1622893-1	CRG0603F24K	CRG0603 1% 24K	100
1622898-1	CRG0603F27K	CRG0603 1% 27K	100
1622913-1	CRG0603F30K	CRG0603 1% 30K	100
1622920-1	CRG0603F33K	CRG0603 1% 33K	100
1622927-1	CRG0603F36K	CRG0603 1% 36K	100
1622932-1	CRG0603F39K	CRG0603 1% 39K	100
1622945-1	CRG0603F43K	CRG0603 1% 43K	100
1622952-1	CRG0603F47K	CRG0603 1% 47K	100
1622964-1	CRG0603F51K	CRG0603 1% 51K	100

Part Number	Product Number	Description	Qty / Kit
1622970-1	CRG0603F56K	CRG0603 1% 56K	100
1622982-1	CRG0603F62K	CRG0603 1% 62K	100
1622987-1	CRG0603F68K	CRG0603 1% 68K	100
1622996-1	CRG0603F75K	CRG0603 1% 75K	100
1623002-1	CRG0603F82K	CRG0603 1% 82K	100
1623010-1	CRG0603F91K	CRG0603 1% 91K	100
1622827-1	CRG0603F100K	CRG0603 1% 100K	100
1622832-1	CRG0603F110K	CRG0603 1% 110K	100
1622836-1	CRG0603F120K	CRG0603 1% 120K	100
1622843-1	CRG0603F130K	CRG0603 1% 130K	100
1622851-1	CRG0603F150K	CRG0603 1% 150K	100
1622855-1	CRG0603F160K	CRG0603 1% 160K	100
1622860-1	CRG0603F180K	CRG0603 1% 180K	100
1622879-1	CRG0603F200K	CRG0603 1% 200K	100
1622883-1	CRG0603F220K	CRG0603 1% 220K	100
1622891-1	CRG0603F240K	CRG0603 1% 240K	100
1622896-1	CRG0603F270K	CRG0603 1% 270K	100
1622911-1	CRG0603F300K	CRG0603 1% 300K	100
1622917-1	CRG0603F330K	CRG0603 1% 330K	100
1622925-1	CRG0603F360K	CRG0603 1% 360K	100
1622930-1	CRG0603F390K	CRG0603 1% 390K	100
1622943-1	CRG0603F430K	CRG0603 1% 430K	100
1622948-1	CRG0603F470K	CRG0603 1% 470K	100
1622962-1	CRG0603F510K	CRG0603 1% 510K	100
1622968-1	CRG0603F560K	CRG0603 1% 560K	100
1622980-1	CRG0603F620K	CRG0603 1% 620K	100
1622984-1	CRG0603F680K	CRG0603 1% 680K	100
1622994-1	CRG0603F750K	CRG0603 1% 750K	100
1622999-1	CRG0603F820K	CRG0603 1% 820K	100
1623008-1	CRG0603F910K	CRG0603 1% 910K	100
1622877-1	CRG0603F1M0	CRG0603 1% 1M0	100

THIS DRAWING IS A CONTROLLED DOCUMENT.		DWN DHEERAJ M 15DEC2021	 TE Connectivity	
DIMENSIONS: mm		CHK ALLAN P 15DEC2021		
		APVD ALLAN P 15DEC2021	NAME RESISTOR LAB KIT TYPE CRG0603 SERIES	
TOLERANCES UNLESS OTHERWISE SPECIFIED: 0 PLC ±0.5 1 PLC ±0.2 2 PLC ±0.1 3 PLC ± 4 PLC ± ANGLES ±5°		PRODUCT SPEC -	RESTRICTED TO -	
MATERIAL -		FINISH -	APPLICATION SPEC -	SCALE 40:1
		WEIGHT -	SIZE A3	CAGE CODE 00779
			DRAWING NO C-1625873-3	SHEET 3 OF 3
			CUSTOMER DRAWING	REV BB