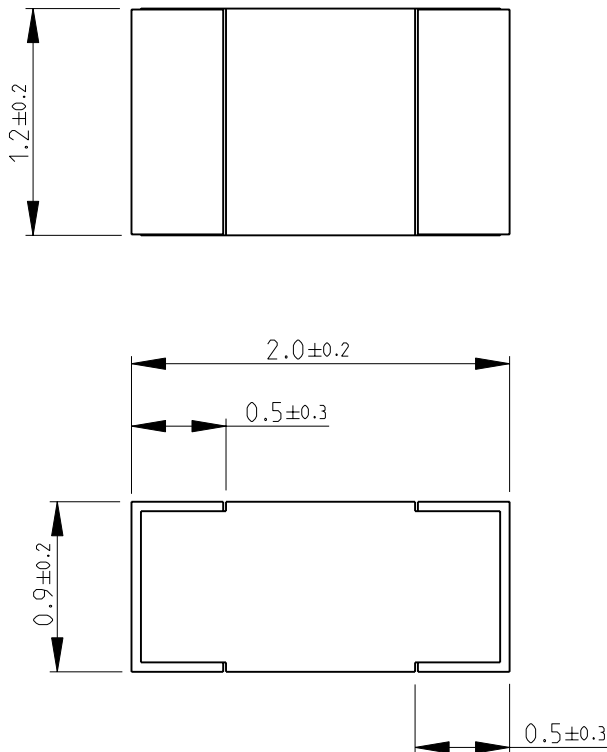
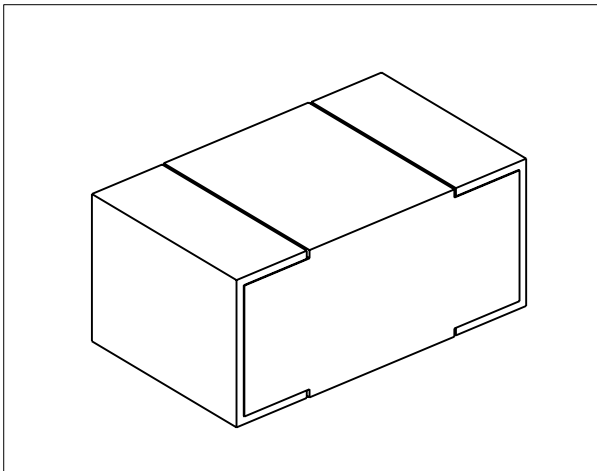


LOC	DIST	REVISIONS					
E	B	P	LTR	DESCRIPTION	DATE	DWN	APVD
			BA	NEW RELEASE	13-Sep-08	SM	St.P

- 1 PACKAGING: 4000 PIECES PER REEL
- 2 FOR FURTHER INFORMATION SEE DATA SHEET FOR 3670 SERIES-HIGH FREQUENCY INDUCTORS SMD



RoHS Compliant



2008

RELEASED FOR PUBLICATION

BY TYCO ELECTRONICS CORPORATION. ALL RIGHTS RESERVED.

THIS DRAWING IS UNPUBLISHED.



DIMENSIONS: mm	DWN	SUBHASH.M	13-Sep-08	MATERIAL	-	FINISH	-
	CHK	PRAKASH.S	13-Sep-08	Tyco Electronics Corporation Dorcan, Swindon, SN3 5HH			
TOLERANCES UNLESS OTHERWISE SPECIFIED:	APVD	STEPHEN.P	13-Sep-08				
0 PLC ± 0.2	PRODUCT SPEC	-	NAME	HIGH FREQUENCY INDUCTORS SMD SERIES 3670 0805			
1 PLC ± 0.1	APPLICATION SPEC	-	SIZE	CAGE CODE	DRAWING NO	RESTRICTED TO	
2 PLC \pm			A 4	00779	© = 1624115	-	
3 PLC \pm	WEIGHT	-	CUSTOMER DRAWING				
4 PLC \pm			SCALE	25:1	SHEET	1 OF 1	REV
ANGLES $\pm 5^\circ$							BA

