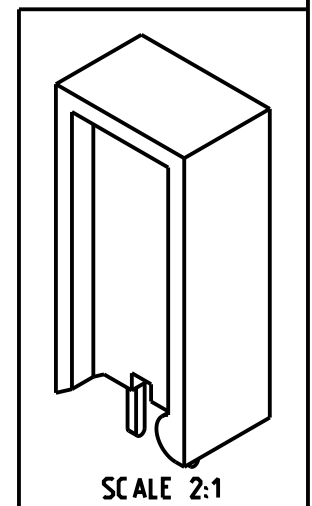
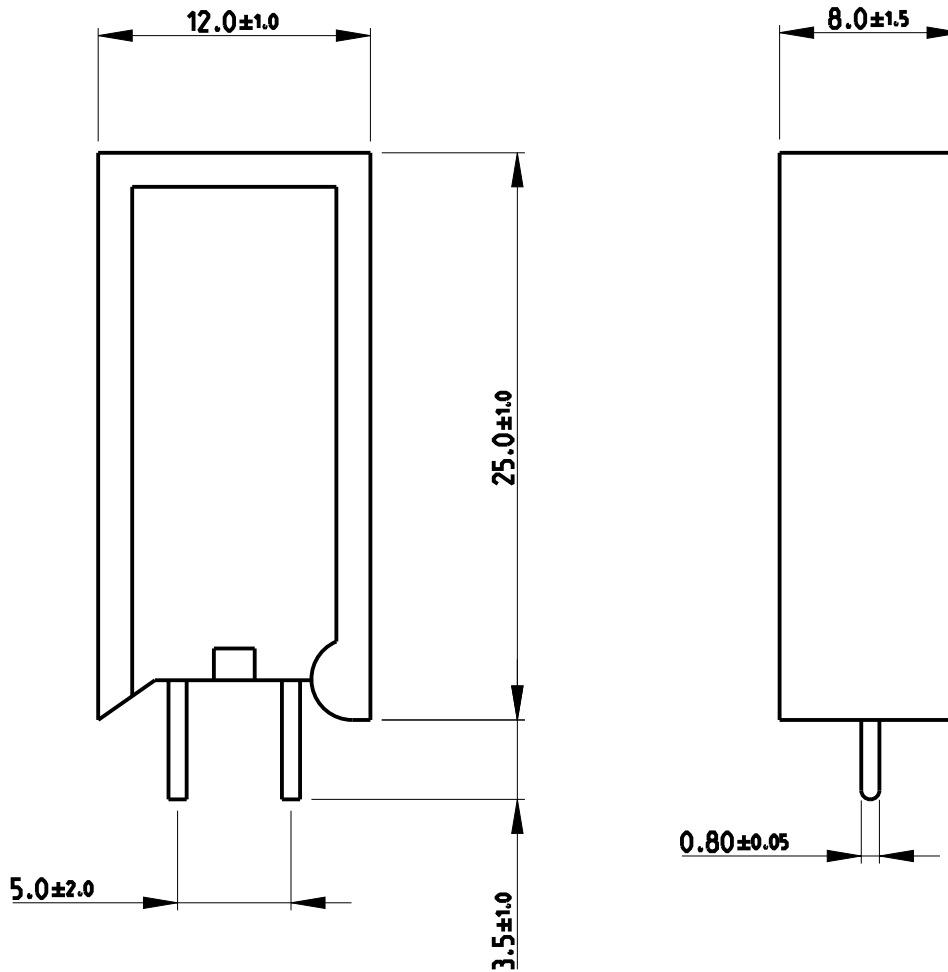


REVISIONS


P	LTR	DESCRIPTION	DATE	DWN	APVD
	BA	NEW RELEASE	08MAR2012	DMS	SI.P
	BA1	ECR-21-002691	03MAR2021	SR	AP



FOR FURTHER INFORMATION SEE DATA SHEET FOR HIGH POWER RESISTORS OF SQ SERIES

RoHS Compliant

© 2021 TE Connectivity. All Rights Reserved.

DIMENSIONS: mm		DWN DARSHAN MS 08MAR2012	MATERIAL -	FINISH -
TOLERANCES UNLESS OTHERWISE SPECIFIED:		CHK ALLAN.P 08MAR2012	 TE Connectivity	
0 PLC ± 1 PLC ± 2 PLC ± 3 PLC ± 4 PLC ± ANGLES ±1°		APVD STEPHEN.P 08MAR2012		
		PRODUCT SPEC -	NAME HIGH POWER RESISTORS SERIES SQM3	
		APPLICATION SPEC -	SIZE A 4	CAGE CODE 00779
		WEIGHT -	DRAWING NO C-1623787	RESTRICTED TO -
CUSTOMER DRAWING			SCALE 3:1	SHEET 1 OF 2
			REV BA1	


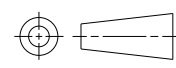
REVISIONS

P	LTR	DESCRIPTION	DATE	DWN	APVD
-		SEE SHEET 1	-	-	-

OBSOLETE

TCPN	PART DESCRIPTION	ALIAS	TCR
1623787-1	SQM3 10R 5% (WIRE)	SQMW 310RJ	±300PPM
1623787-2	SQM3 22R 5% (WIRE)	SQMW 322RJ	±300PPM
1623787-3	SQM3 2R0 5% (WIRE)	SQMW 32R0J	±300PPM
1623787-4	SQM3 R10 5% (WIRE)	SQMW 3R10J	±600PPM
1623787-5	SQM3 R30 5% (WIRE)	SQMW 3R30J	±600PPM
1623787-6	SQM3 R47 10% (WIRE)	SQMW 3R47K	±600PPM
1623787-7	SQM3 R36 5% (WIRE)	SQMW 3R36J	±600PPM
1623787-8	SQM3 R56 5% (WIRE)	SQMW 3R56J	±600PPM
1623787-9	SQM3 150R 5% (WIRE)	SQMW 3150RJ	±300PPM
1-1623787-0	SQM3 R20 5% (WIRE)	SQMW 3R20J	±600PPM
1-1623787-1	SQM3 R05 5% 100PPM (WIRE)	SQMW 3R05JB	±100PPM

© 2021 TE Connectivity. All Rights Reserved.

DIMENSIONS: mm	DWN DARSHAN MS 08MAR2012	MATERIAL -	FINISH -
	CHK ALLAN.P 08MAR2012		
TOLERANCES UNLESS OTHERWISE SPECIFIED:	APVD STEPHEN.P 08MAR2012		
0 PLC ± 1 PLC ± 2 PLC ± 3 PLC ± 4 PLC ± ANGLES ±1°	PRODUCT SPEC -	NAME HIGH POWER RESISTORS SERIES SQM3	
	APPLICATION SPEC -	SIZE A 4	CAGE CODE 00779
	WEIGHT -	DRAWING NO C-1623787	RESTRICTED TO -
	CUSTOMER DRAWING		SCALE 4:1 SHEET 2 OF 2 REV BA1