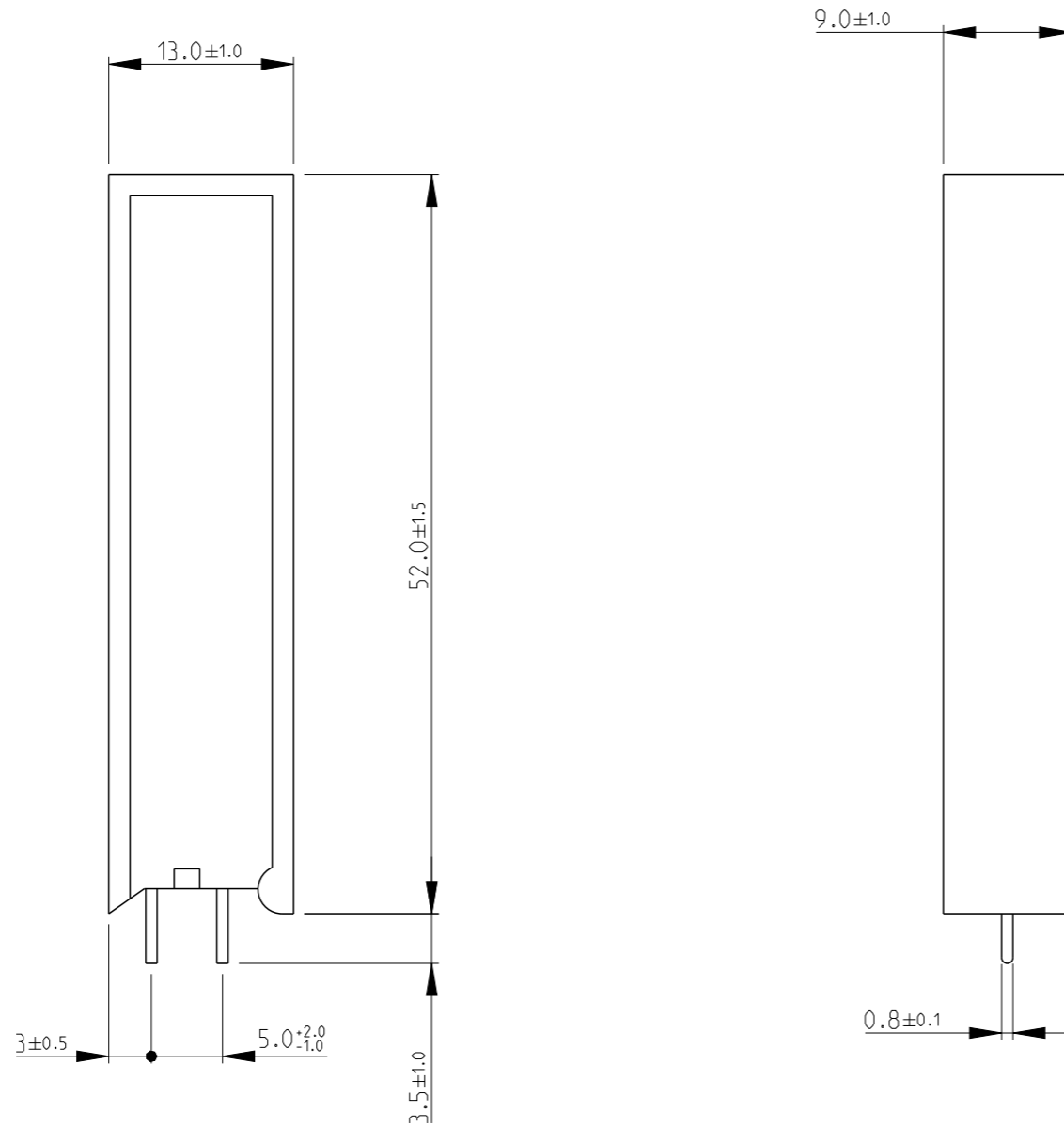


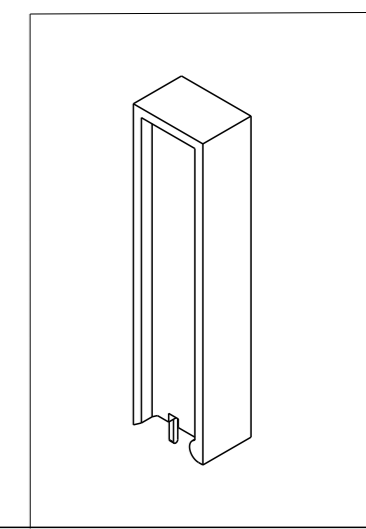
REVISIONS


P	LTR	DESCRIPTION	DATE	DWN	APVD
	BB	ECR-11-016776	13AUG2011	PSK	JC
	BB1	ECR-20-017385	08DEC2020	SB	AP

1. FOR FURTHER INFORMATION SEE DATA SHEET FOR SQ SERIES HIGH POWER RESISTOR



RoHS Compliant



THIS DRAWING IS A CONTROLLED DOCUMENT.		DWN PARUSURAM.T 12OCT2010	 TE Connectivity	
DIMENSIONS: mm		CHK ALLAN.P 12OCT2010		
TOLERANCES UNLESS OTHERWISE SPECIFIED:		APVD STEPHEN.P 12OCT2010	NAME HIGH POWER RESISTORS SERIES SQM10	
0 PLC ±0.2 1 PLC ±0.1 2 PLC ± 3 PLC ± 4 PLC ± ANGLES ±5°		PRODUCT SPEC -	RESTRICTED TO	
MATERIAL -		FINISH -	APPLICATION SPEC -	SIZE A3
		WEIGHT -	CAGE CODE 00779	DRAWING NO C-1623785
CUSTOMER DRAWING			SCALE 1:1	SHEET 1 OF 1
			REV BB1	