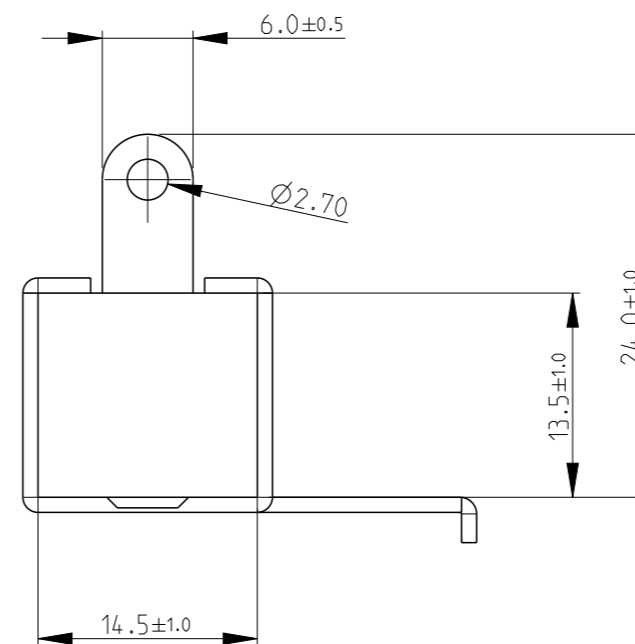
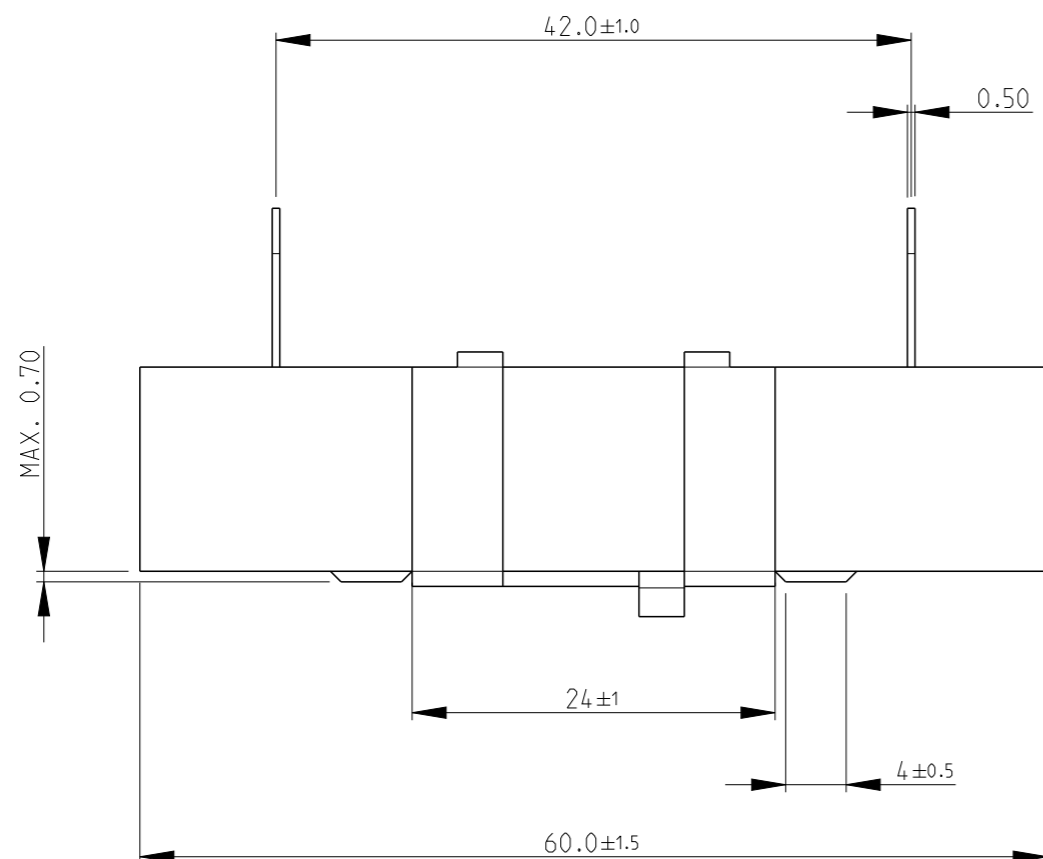
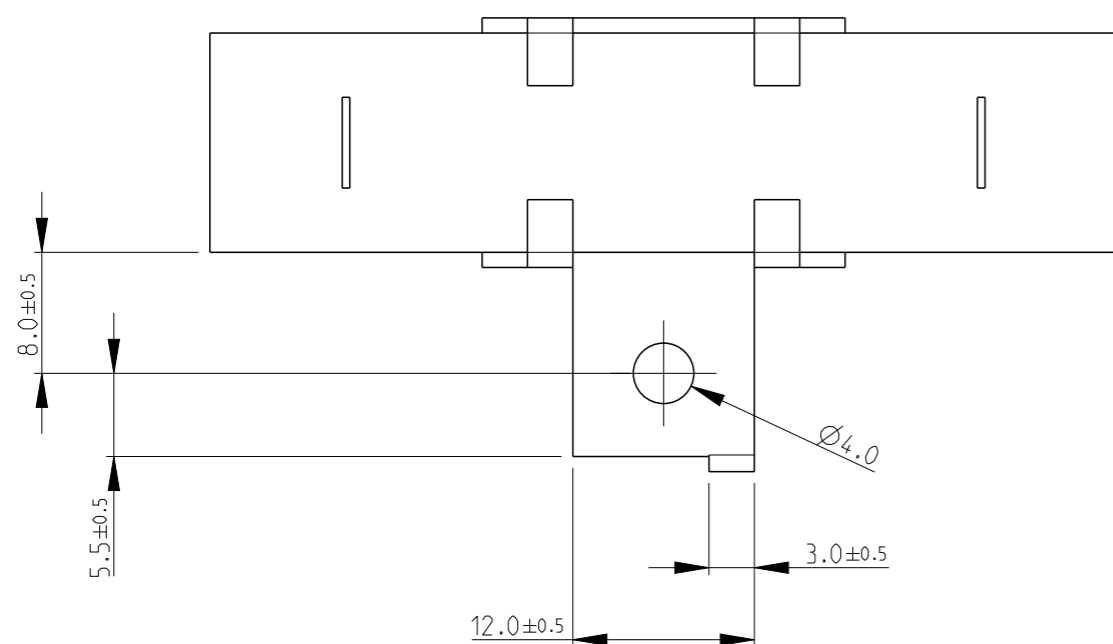


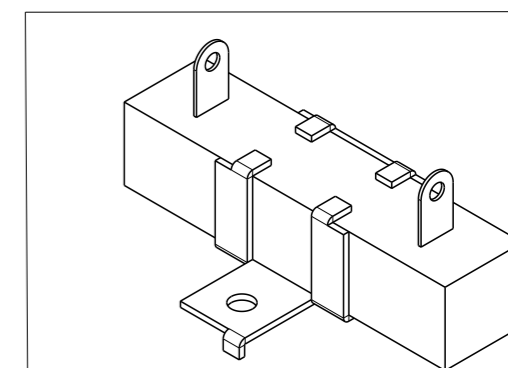
P	LTR	DESCRIPTION	DATE	DWN	APVD
	BA	INITIAL RELEASE	25NOV2020	SB	AP
	BA1	ECR-20-017750	15DEC2020	SB	CB


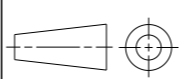


1. FOR FURTHER INFORMATION SEE DATA SHEET FOR HIGH POWER RESISTORS OF SQ SERIES



RoHS Compliant



THIS DRAWING IS A CONTROLLED DOCUMENT.		DWN	20NOV2020	 TE Connectivity NAME HIGH POWER RESISTORS SERIES SQB 20W	
		CHK	20NOV2020		
		APVD	20NOV2020		
		ALLAN.P	ALLAN.P		
DIMENSIONS: mm		TOLERANCES UNLESS OTHERWISE SPECIFIED:		PRODUCT SPEC	
		0 PLC	±0.2	APPLICATION SPEC	
		1 PLC	±0.1	-	
		2 PLC	±	WEIGHT	
		3 PLC	±	-	
MATERIAL		FINISH		RESTRICTED TO	
-		-		SIZE	CAGE CODE
				A3	00779
				DRAWING NO	
				C=1623779	
				SCALE	
				NTS	
				SHEET	
				1 OF 1	
				REV	
				BA1	