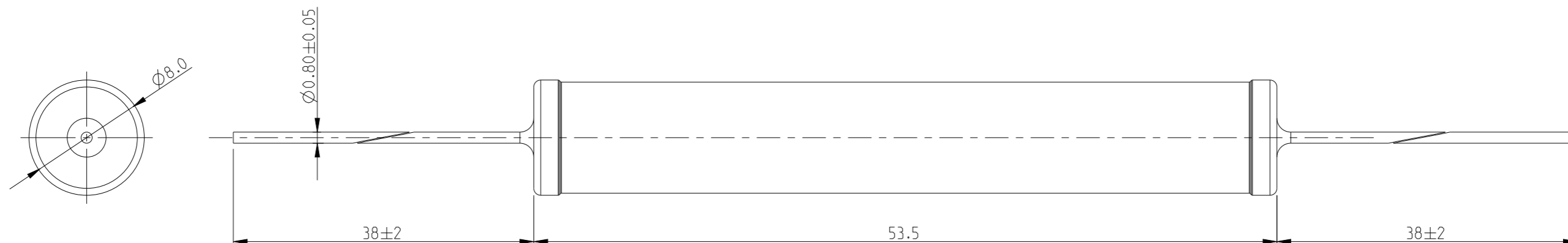


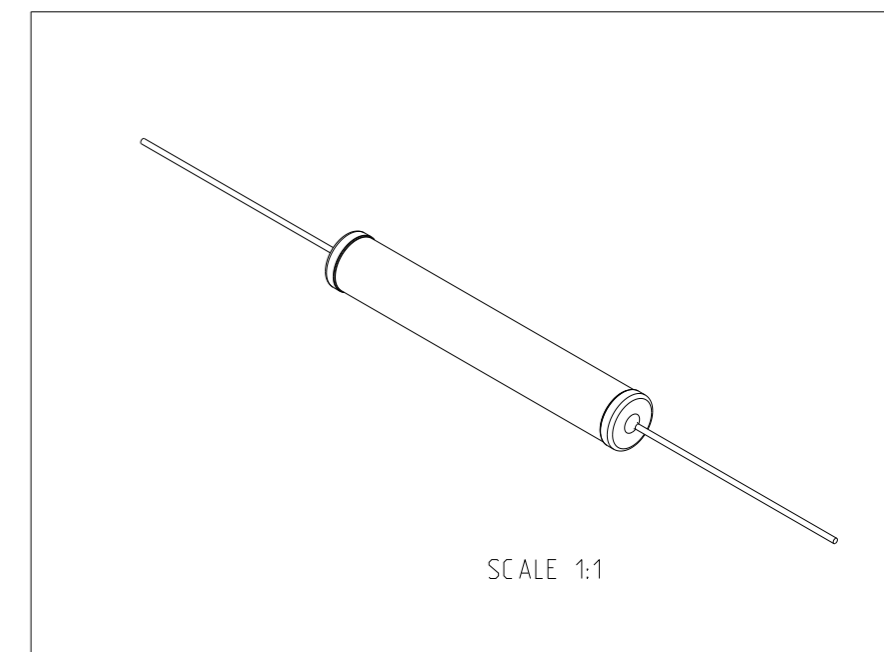
REVISIONS


P	LTR	DESCRIPTION	DATE	DWN	APVD
	BA	NEW RELEASE	11-FEB-10	MRS	St.P
	BA1	DRAWING SECHEDULE ADDED	25SEP2023	DM	AP

FOR FURTHER INFORMATION SEE DATA SHEET FOR SERIES ER/ERV- HIGH POWER RESISTORS



RoHS Compliant



THIS DRAWING IS A CONTROLLED DOCUMENT.		DWN MAHARUDRA 11-FEB-10	 TE Connectivity													
DIMENSIONS: mm		CHK ALLAN.P 11-FEB-10														
TOLERANCES UNLESS OTHERWISE SPECIFIED:		APVD STEPHEN.P 11-FEB-10	NAME HIGH POWER RESISTORS SERIES ER17													
<table border="0"> <tr> <td>0 PLC</td> <td>± 0.2</td> </tr> <tr> <td>1 PLC</td> <td>± 0.1</td> </tr> <tr> <td>2 PLC</td> <td>\pm</td> </tr> <tr> <td>3 PLC</td> <td>\pm</td> </tr> <tr> <td>4 PLC</td> <td>\pm</td> </tr> <tr> <td>ANGLES</td> <td>$\pm 5^\circ$</td> </tr> </table>		0 PLC	± 0.2	1 PLC	± 0.1	2 PLC	\pm	3 PLC	\pm	4 PLC	\pm	ANGLES	$\pm 5^\circ$	PRODUCT SPEC -	SIZE A3	
0 PLC	± 0.2															
1 PLC	± 0.1															
2 PLC	\pm															
3 PLC	\pm															
4 PLC	\pm															
ANGLES	$\pm 5^\circ$															
MATERIAL -		APPLICATION SPEC -	CAGE CODE 00779	DRAWING NO C-1623749												
FINISH -		WEIGHT -	RESTRICTED TO -													
		CUSTOMER DRAWING	SCALE 3:1	SHEET 1 OF 2												
			REV BA1													

REVISIONS


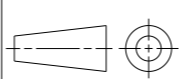
P	LTR	DESCRIPTION	DATE	DWN	APVD
	-	SEE SHEET 1	-	-	-

SCHEDULE

TCPN	CATALOGUE NUMBER	PART DESCRIPTION	PART STATUS
1623749-1	ER1710RJL	ER17 10R 5% LOOSE	PRODUCTION
1623749-2	ER1713KJL	ER17 13K 5% LOOSE	DISCONTINUED
1623749-3	ER1715RJL	ER17 15R 5% LOOSE	PRODUCTION
1623749-4	ER1716RJL	ER17 16R 5% LOOSE	PRODUCTION
1623749-5	ER171R0JL	ER17 1R0 5% LOOSE	DISCONTINUED
1623749-6	ER1722KJL	ER17 22K 5% LOOSE	PRODUCTION
1623749-7	ER1722RJL	ER17 22R 5% LOOSE	PRODUCTION
1623749-8	ER1724RJL	ER17 24R 5% LOOSE	PRODUCTION
1623749-9	ER1727KJL	ER17 27K 5% LOOSE	DISCONTINUED
1-1623749-0	ER1727RJL	ER17 27R 5% LOOSE	PRODUCTION
1-1623749-1	ER172K2JL	ER17 2K2 5% LOOSE	DISCONTINUED
1-1623749-2	ER1733KJL	ER17 33K 5% LOOSE	DISCONTINUED
1-1623749-3	ER1739KJL	ER17 39K 5% LOOSE	PRODUCTION
1-1623749-4	ER173R3JL	ER17 3R3 5% LOOSE	PRODUCTION
1-1623749-5	ER17470RJL	ER17 470R 5% LOOSE	DISCONTINUED
1-1623749-6	ER1747KJL	ER17 47K 5% LOOSE	DISCONTINUED
1-1623749-7	ER174K3JL	ER17 4K3 5% LOOSE	DISCONTINUED
1-1623749-8	ER1750RJL	ER17 50R 5% LOOSE	DISCONTINUED
1-1623749-9	ER1768KJL	ER17 68K 5% LOOSE	DISCONTINUED
2-1623749-0	ER17100KJL	ER17 100K 5% LOOSE	DISCONTINUED
2-1623749-1	ER17100RJL	ER17 100R 5% LOOSE	DISCONTINUED
2-1623749-2	ER1736RJL	ER17 36R 5% LOOSE	DISCONTINUED
2-1623749-3	ER1739RJL	ER17 39R 5% LOOSE	DISCONTINUED
2-1623749-4	ER1718RJL	ER17 18R 5% LOOSE	PRODUCTION
2-1623749-5	ER1733RJL	ER17 33R 5% LOOSE	PRODUCTION
2-1623749-6	ER171K0JL	ER17 1K0 5% LOOSE	DISCONTINUED

SCHEDULE

TCPN	CATALOGUE NUMBER	PART DESCRIPTION	PART STATUS
2-1623749-7	ER172K4JL	ER17 2K4 5% LOOSE	DISCONTINUED
2-1623749-8	ER178K2JL	ER17 8K2 5% LOOSE	DISCONTINUED
2-1623749-9	ER17R47JL	ER17 R47 5% LOOSE	DISCONTINUED
3-1623749-0	ER17R68JL	ER17 R68 5% LOOSE	DISCONTINUED
3-1623749-1	ER171R5JL	ER17 1R5 5% LOOSE	DISCONTINUED
3-1623749-2	ER172R2JL	ER17 2R2 5% LOOSE	DISCONTINUED
3-1623749-3	ER174R7JL	ER17 4R7 5% LOOSE	DISCONTINUED
3-1623749-4	ER176R8JL	ER17 6R8 5% LOOSE	DISCONTINUED
3-1623749-5	ER1747RJL	ER17 47R 5% LOOSE	DISCONTINUED
3-1623749-6	ER1768RJL	ER17 68R 5% LOOSE	DISCONTINUED
3-1623749-7	ER17150RJL	ER17 150R 5% LOOSE	DISCONTINUED
3-1623749-8	ER17220RJL	ER17 220R 5% LOOSE	DISCONTINUED
3-1623749-9	ER17330RJL	ER17 330R 5% LOOSE	DISCONTINUED
4-1623749-0	ER17680RJL	ER17 680R 5% LOOSE	DISCONTINUED
4-1623749-1	ER171K5JL	ER17 1K5 5% LOOSE	DISCONTINUED
4-1623749-2	ER173K3JL	ER17 3K3 5% LOOSE	DISCONTINUED
4-1623749-3	ER174K7JL	ER17 4K7 5% LOOSE	DISCONTINUED
4-1623749-4	ER176K8JL	ER17 6K8 5% LOOSE	DISCONTINUED
4-1623749-5	ER1710KJL	ER17 10K 5% LOOSE	DISCONTINUED
4-1623749-6	ER1715KJL	ER17 15K 5% LOOSE	DISCONTINUED
4-1623749-7	ER1733RJT	ER17 33R 5% AMMO	PRODUCTION
4-1623749-8	ER1713RJL	ER17 13R 5% LOOSE	PRODUCTION
4-1623749-9	ER17220RJT	ER17 220R 5% AMMO	PRODUCTION
5-1623749-0	ER1768RJT	ER17 68R 5% AMMO	PRODUCTION
5-1623749-1	ER17750RJL	ER17 750R 5% LOOSE	PRODUCTION
5-1623749-2	ER1747RJTNIC	ER17 47R 5% NICR80/20 AMMO	PRODUCTION

THIS DRAWING IS A CONTROLLED DOCUMENT.		DWN MAHARUDRA 11-FEB-10	 TE Connectivity	
		CHK ALLAN.P 11-FEB-10		
		APVD STEPHEN.P 11-FEB-10		
DIMENSIONS: mm 		TOLERANCES UNLESS OTHERWISE SPECIFIED: 0 PLC ±0.2 1 PLC ±0.1 2 PLC ± 3 PLC ± 4 PLC ± ANGLES ±5°		NAME HIGH POWER RESISTORS SERIES ER17
MATERIAL -		PRODUCT SPEC -	APPLICATION SPEC -	RESTRICTED TO -
		WEIGHT -	SIZE A3	CAGE CODE 00779
		CUSTOMER DRAWING	DRAWING NO. C-1623749	SCALE 3:1
			SHEET 2 OF 2	REV BA1