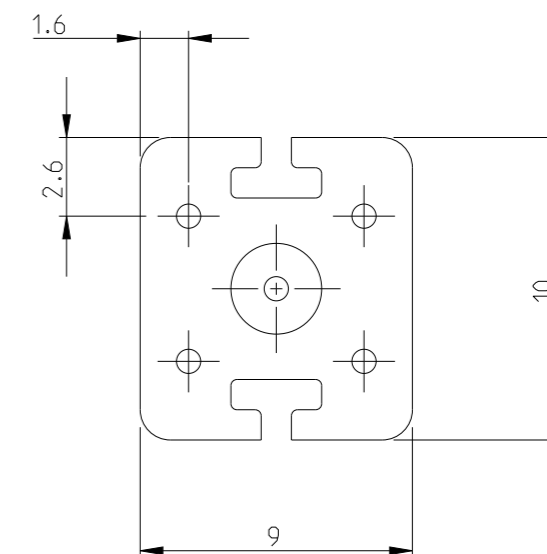
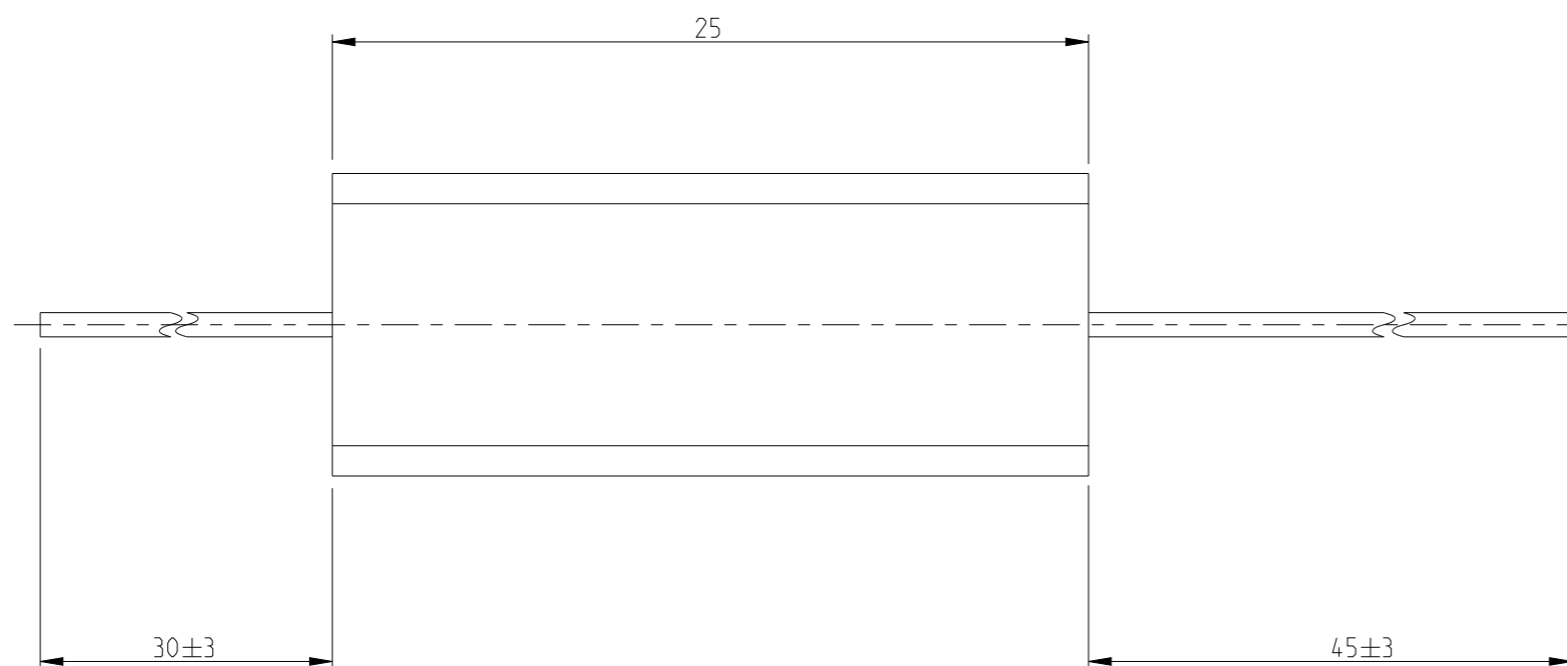


REVISIONS

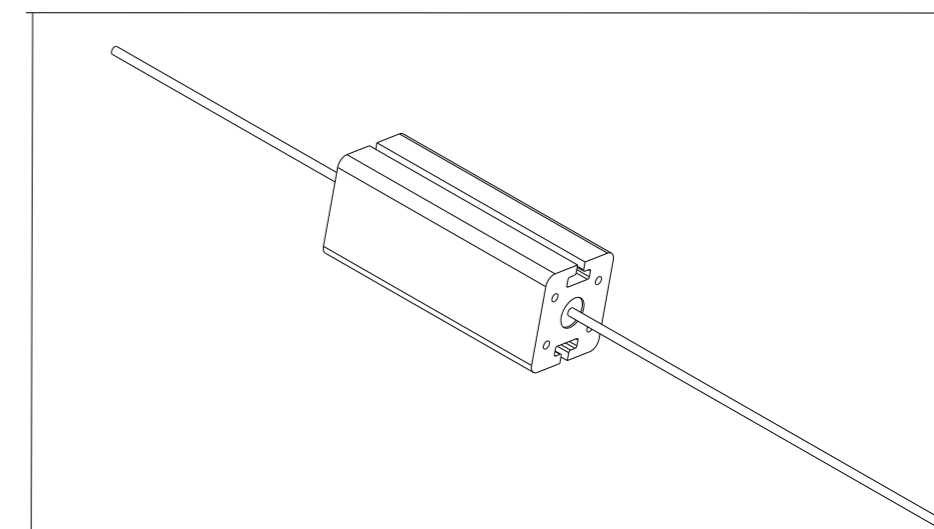
P	LTR	DESCRIPTION	DATE	DWN	APVD
	BA	NEW RELEASE	28JULY2010	PT	St.P
	BA1	CLARIFICATION NOTE ADDED	18APR2022	DM	AP


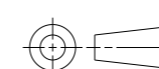


NOTES:

- FOR FURTHER INFORMATION SEE DATA SHEET FOR SERIES TYPE SBC(SQUARE CERAMIC), HIGH POWER RESISTORS
- THE HOLES AND FLUTES SHOWN IN THE CERAMIC CASING ARE PURELY FOR MOUNTING PURPOSES AND DO NOT IN ANY WAY AFFECT THE DISSIPATION CAPABILITIES OF THE RESISTOR. THEY CAN OFTEN BECOME BLOCKED DURING THE MANUFACTURING PROCESS. THIS WILL NOT AFFECT THE PERFORMANCE IN ANY WAY.

RoHS Compliant



THIS DRAWING IS A CONTROLLED DOCUMENT.		DWN 28JULY2010 PARUSURAM.I	 TE Connectivity			
DIMENSIONS: mm		CHK 28JULY2010 STEPHEN.P			NAME HIGH POWER RESISTOR TYPE SBC (SQUARE CERAMIC) SERIES SBCHE7	
		APVD 28JULY2010 STEPHEN.P				
TOLERANCES UNLESS OTHERWISE SPECIFIED:		PRODUCT SPEC	SIZE	CAGE CODE	DRAWING NO	RESTRICTED TO
0 PLC	±0.2	-	A3	00779	C=1623733	-
1 PLC	±0.1	APPLICATION SPEC	SCALE 4:1		SHEET 1 OF 1	REV BA1
2 PLC	±	-	CUSTOMER DRAWING			
3 PLC	±	WEIGHT 6g				
4 PLC	±					
ANGLES	±5°					
MATERIAL	FINISH					
-	-					
-	-					