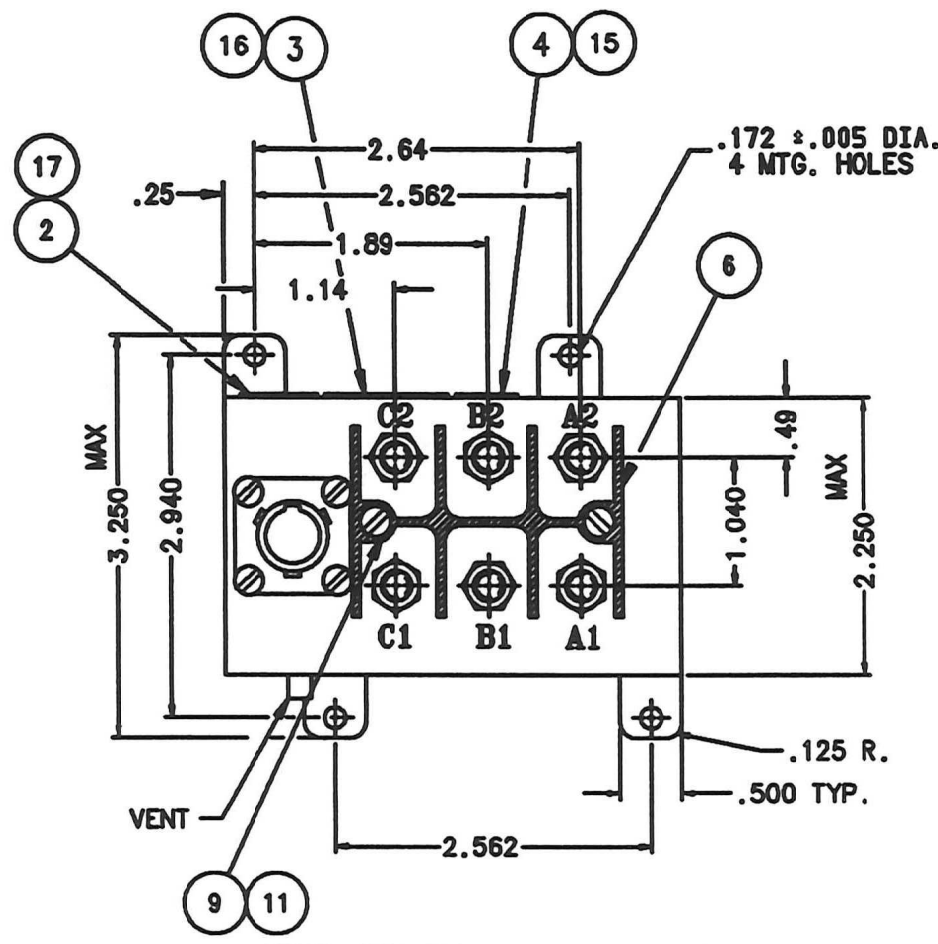


FAA/PMA

| REVISIONS |                               | RELEASED |          |
|-----------|-------------------------------|----------|----------|
| REV.      | DESCRIPTION                   | DATE     | APPROVED |
| D         | 25411 ITEM 3 WAS -'42913-002' | 93/05/06 | WS       |
| E         | 28806 ADDED ITEMS 13 THRU 17  | 95/09/14 | RS       |
| F         | 31254 SHOCK WAS 50 G          | 96/10/22 | RS       |



NOTE: FOR PROPER OPERATION, PIN A REQUIRES 18 TO 28 VDC

**CONSTRUCTION**  
**MAIN CONTACTS**  
 CONFIGURATION: 3PST SIDE STABLE  
 VOLTAGE (NOM.): 115/208 VAC 400 - 610 HZ  
 CURRENT RES: 70 AMP 50,000 CYCLES  
 MOTOR RUPTURE: 70 AMP 50,000 CYCLES  
 1000 AMP

**OPERATE TIMES:**  
 CLOSING: 35 MS MAX. OVERRIDE AT 28 VDC  
 OPENING: 25 MS MAX. OVERRIDE AT 28 VDC  
 BOUNCE: 3 MS MAX.

**AUXILIARY CONTACTS**  
 CONFIGURATION: SPDT  
 VOLTAGE: 28 VDC 115 VAC 400 - 610 HZ  
 CURRENT: RES. 5 AMP  
 IND. LAMP 3 AMP

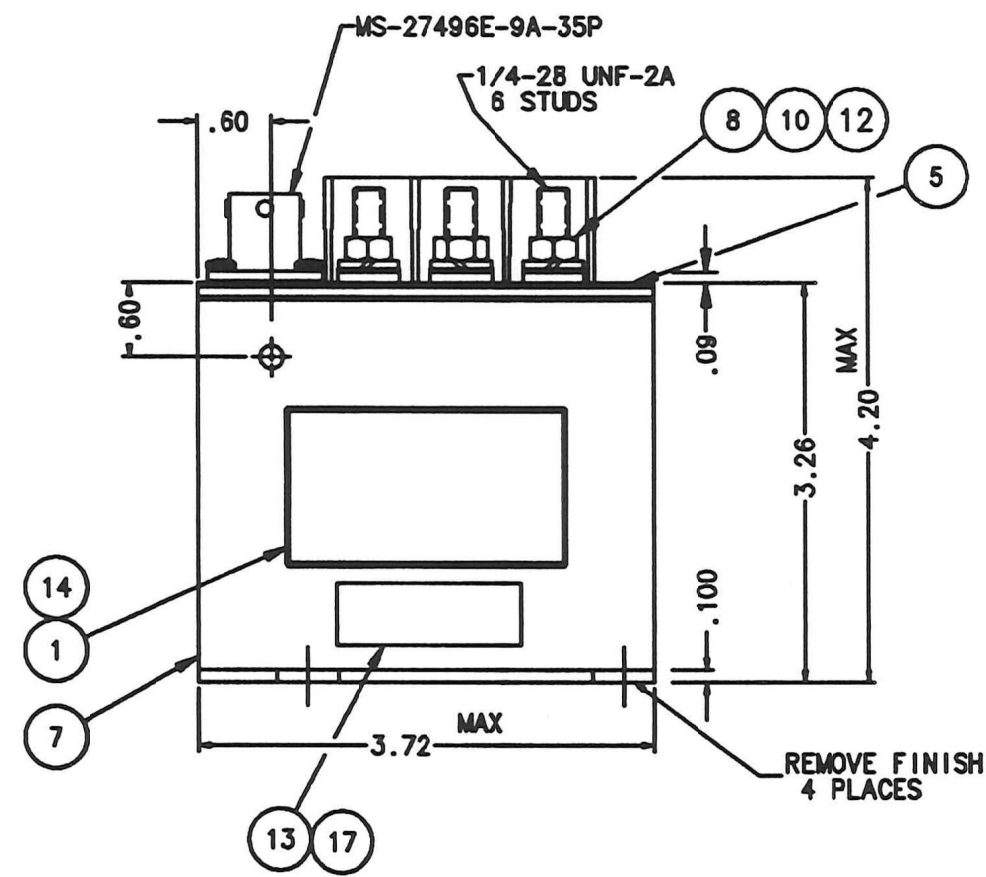
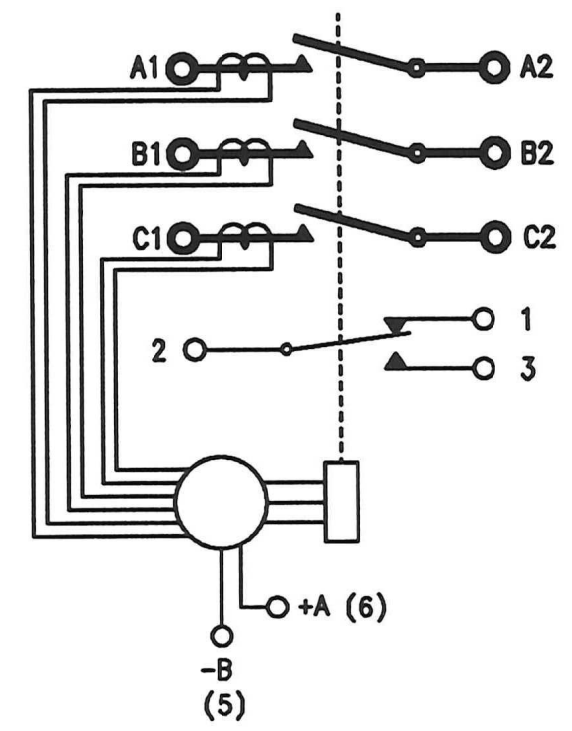
**COIL DATA**  
 DUTY CYCLE: CONTINUOUS ECONOMIZED  
 MIN. OPER. VOLTAGE: 18VDC AT 85°C  
 MAX. OPER. VOLTAGE: 32 VDC  
 RESISTANCE: PICKUP - 11.3 OHMS ± 10%  
 HOLD - 114.5 OHMS ± 10%

**ENVIRONMENTAL DATA**  
 OPERATE TEMP: -55°C TO +85°C  
 VIBRATION: SINE .036 DA FROM 10 TO 50 HZ  
 10 g FROM 55 TO 2000 HZ  
 9 g MAX FOR 10 TO 12 MS  
 50,000 FT. MAX  
 100,000 CYCLES MIN.  
 WEIGHT MAX. 1.55 LBS.

**SHOCK**  
 ALTITUDE: 50,000 FT. MAX  
 LIFE MECHANICAL: 100,000 CYCLES MIN.  
 WEIGHT MAX. 1.55 LBS.

**TRIP POINTS**  
 CURRENT ±10%  
 70 AMP  
 87 AMP  
 111 AMP  
 200 AMP & GREATER

**TRIP TIME**  
 3-5 SEC  
 2-2.9 SEC  
 1-1.8 SEC  
 .25-.5 SEC



| REV | QTY | PART OR IDENTIFYING NO | NOMENCLATURE OR DESCRIPTION      | FSCM NO | DRAWING OR SPECIFICATION | MATERIAL OR NOTE |
|-----|-----|------------------------|----------------------------------|---------|--------------------------|------------------|
| 17  | 2   | 39529-024              | OVERLAY                          |         |                          |                  |
| 16  | 1   | 39529-009              | OVERLAY                          |         |                          |                  |
| 15  | 1   | 39529-007              | OVERLAY                          |         |                          |                  |
| 14  | 1   | 39529-001              | OVERLAY                          |         |                          |                  |
| 13  | 1   | 58400-165              | PLATE - FAA/PMA                  |         |                          |                  |
| 12  | 6   | 51807-034              | WASHER - LOCK, NO.1/4, SPLIT     |         |                          | BRONZE           |
| 11  | 2   | 51804-010              | WASHER - LOCK, NO.4, SPLIT       |         |                          | BRONZE           |
| 10  | 6   | 51703-064              | WASHER - FLAT 1/2 X 17/64 X .032 |         |                          | BRASS            |
| 9   | 2   | 51204-960              | SCREW 4-40 X 7/8 RD.HD.          |         |                          | BRASS            |
| 8   | 6   | 50407-074              | NUT 1/4-28 X 3/8 X 3/16 HEX      |         |                          | BRASS            |
| 7   | 1   | 43154-020              | CONTACTOR ASSEMBLY - PRI.        |         |                          |                  |
| 6   | 1   | 42726-001              | SHIELD - TERMINAL                |         |                          |                  |
| 5   | 1   | 42912-001              | PLATE - BASE COVER               |         |                          |                  |
| 4   | 1   | 41211-001              | PLATE - WARNING                  |         |                          |                  |
| 3   | 1   | 42913-003              | PLATE - WIRING DIAGRAM           |         |                          |                  |
| 2   | 1   | 25695-001              | PLATE - WARNING                  |         |                          |                  |
| 1   | 1   | 16043-001              | PLATE - NAME                     |         |                          |                  |

| FIND NO   | QTY REQD | PART OR IDENTIFYING NO | NOMENCLATURE OR DESCRIPTION | FSCM NO   | DRAWING OR SPECIFICATION | MATERIAL OR NOTE  |
|---|----------|------------------------|-----------------------------|---|--------------------------|-------------------|
| HARTMAN ELECTRICAL MANUFACTURING<br>MANSFIELD, OHIO |          |                        |                             |   |                          |                   |
|   |          |                        | DR BY: EAD 96/10/31         | REMOTE POWER CONTROLLER<br>115/208 VAC 3PST 70 AMP<br>093<br>RA-3100F |                          |                   |
|   |          |                        | CHK BY: RS 96/11/06         |   |                          |                   |
|   |          |                        | ENGR: [Signature] 96/10/31  |   |                          |                   |
|   |          |                        | MFG: [Signature] 96/10/31   |   |                          |                   |
|   |          |                        | RELEASE: [Signature]        | SIZE: C   | CODE IDENT: 74063        | DWG NO.: RA-3100F |
|   |          |                        | CONTR NO.                   | SCALE: NONE   |                          |                   |
|   |          |                        | GOVT APPVL                  | SHEET   |                          |                   |
| 2 PL DEC. 3 PL DEC. ANGLES                          |          |                        |                             |   |                          |                   |
| ± .06   |          |                        | .010                        |   | ± 1°                     |                   |

