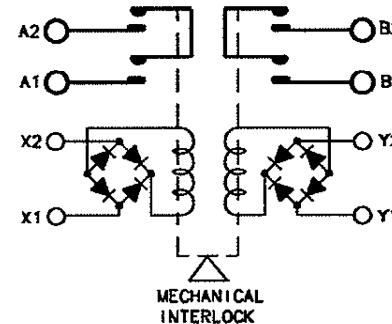
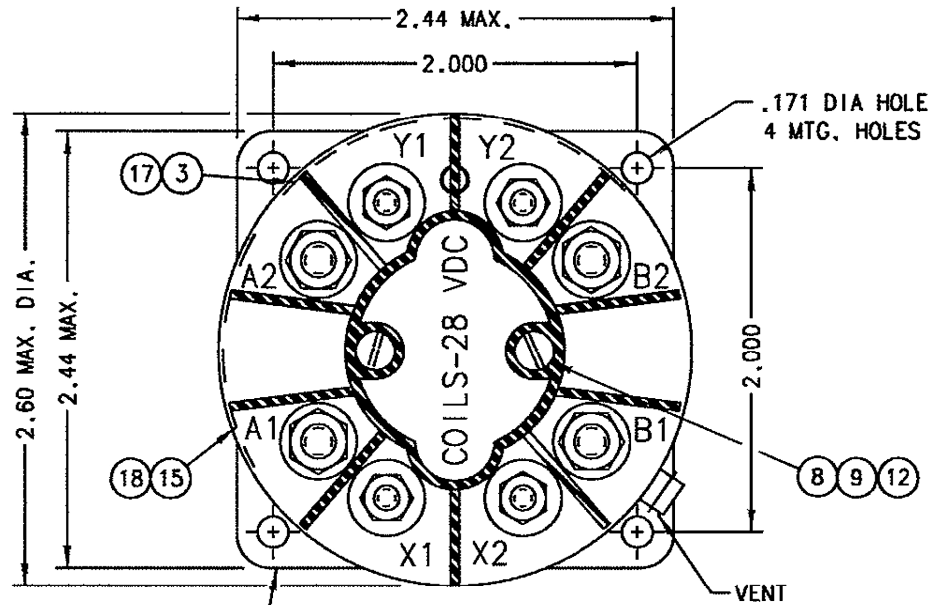


FAA-PMA

REV. NO.		DESCRIPTION	RELEASED DATE	APPROVED
H	33462	REDRAWN, FIND NOS 16,17,& 18 ADDED	97/08/08	RS
J	0303-04	COIL RESISTANCE WAS 254 OHM	04/04/05	CS



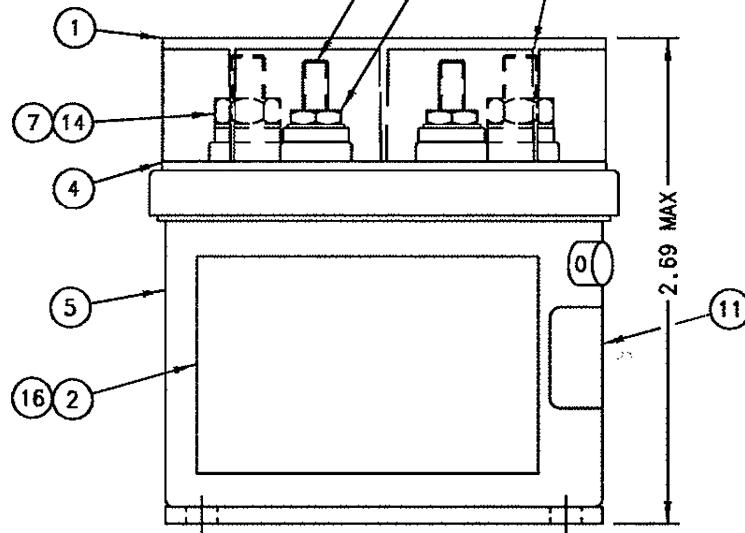
CONSTRUCTION
 NOMINAL VOLTAGE 115/200 V, 400 HZ
 CONTACTS SPDT CENTER OFF
 CONTACT RATING 50 A, 115 V, 400 HZ
 INTERRUPTING CAPACITY 100 A, 115 V, 400 HZ
 COIL RATING NON-POLARIZED 35 VDC (SEE NOTE 3)
 PICKUP VOLTAGE AT 25°C 22.5 VDC MAX
 DROPOUT VOLTAGE AT 25°C 10.5 VDC MAX
 5.5 VDC MIN CONTINUOUS

RATED DUTY
 MAX OPERATING TEMP 71°C
 MAX ALTITUDE 50,000 FEET
 MAX. WEIGHT 12.5 OZ
 SPECIFICATION MIL-R-6106E TYPE II CLASS A5

COIL RESISTANCE AT 25°C. 175 OHM ±10%

GASKET SEALED
 115/200 V, 400 HZ
 SPDT CENTER OFF
 50 A, 115 V, 400 HZ
 100 A, 115 V, 400 HZ
 35 VDC (SEE NOTE 3)
 22.5 VDC MAX
 10.5 VDC MAX
 5.5 VDC MIN CONTINUOUS
 71°C
 50,000 FEET
 12.5 OZ
 MIL-R-6106E TYPE II CLASS A5
 175 OHM ±10%

REMOVE PAINT BOTH SIDES OF EITHER OF 2 OPPOSITE MTG HOLES
 6-32 UNC-2A 4 STUDS
 10-32 UNF-2A 4 STUDS



- NOTES:
 1. STAMP "DANGER-HIGH VOLTAGE" ON TERMINAL SHIELD
 2. CONSULT WARNING PLATE (ITEM 11) BEFORE HI-POT TESTING
 3. AVERAGE DC VOLTAGE DERIVED FROM UNFILTERED 400 HZ SOURCE HAVING 55 VOLTS ZERO TO PEAK

FIND NO	QTY RECD	PART OR IDENTIFYING NO	NOMENCLATURE OR DESCRIPTION	FSCM NO	DRAWING OR SPECIFICATION	MATERIAL OR NOTE
18	1	39529-024	OVERLAY			
17	1	39529-007	OVERLAY			
16	1	39529-001	OVERLAY			
15	1	58400-045	PLATE-FAA/PMA			
14	4	51810-054	WASHER-LOCK 10 X .062 X .047 SPLIT		AN935B10	BRONZE
13	4	51806-014	WASHER-LOCK #6 SPLIT		AN935B6	BRONZE
12	2	51805-011	WASHER-LOCK - 5 INT. SPLIT			BRONZE
11	1	17959-001	PLATE-WARNING			
10						
9	2	51701-180	WASHER-3/16 X .103 X .015			MYLAR
8	2	51205-591	SCREW 5-40 X 3/8 RD.HD.			BRASS
7	4	50410-054	NUT 10-32 X 5/16 X 9/64			BRASS
6	4	50406-034	NUT 6-32 X 1/4 X 5/64			BRASS
5	1	20005-080	CONTACTOR ASSEMBLY PRIMARY			
4	1	18640-002	PLATE-BASE COVER			
3	1	20222-001	PLATE-WIRING DIAGRAM			
2	1	16043-001	PLATE-NAME			
1	1	15549-001	SHIELD TERMINAL ZYTEL 51			

UNLESS OTHERWISE SPECIFIED DIMENSIONS ARE IN INCHES TOLERANCES ON

2 PL DEC.	.3	.10	ANGLES
	±.03	±.010	± 1°

DR BY RLS 97/08/26
 CHK BY RS 97/09/03
 ENGR FW 97/09/03
 MFG CC 97/09/03

SIZE C CODE IDENT 74063
 SCALE NONE SHEET

TYCO Electronics
 Hartman Division, 175 N. DIAMOND STREET WANSFIELD, OHIO 44892

CONTACTOR-SPDT CENTER OFF
 GASKET SEALED 093

DWG NO. DR-18E-5
 REF TYCO P/N 0-1616099-1