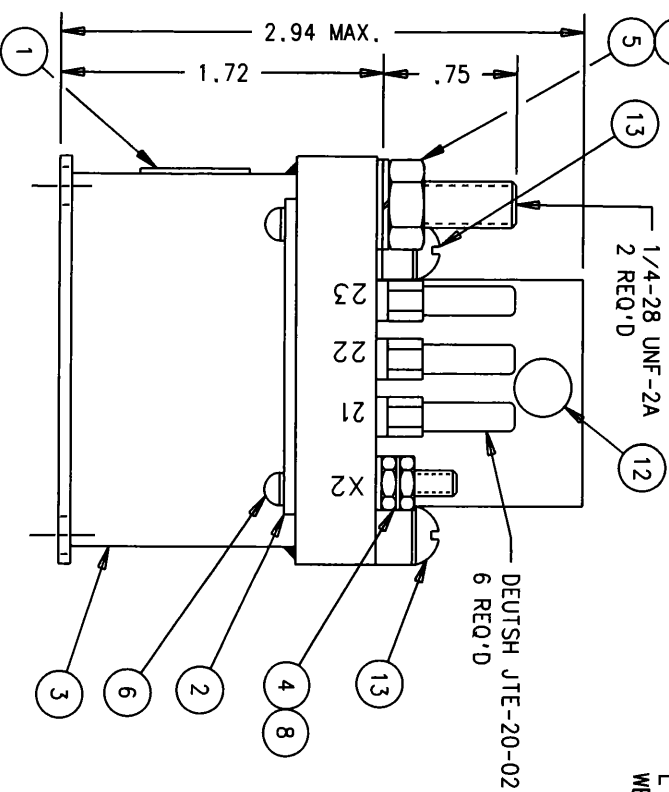
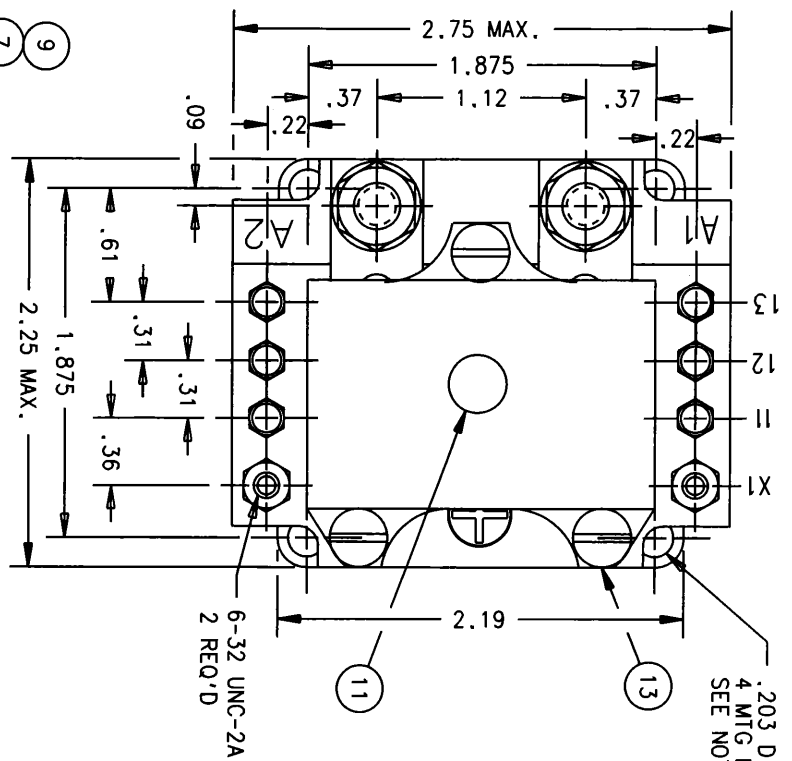


REV.	DESCRIPTION	DATE	APPROVED
B	22741 REDRAWN TO CAEDS	93/02/10	WS
C	23177 ADDED ITEMS TO THRU 13	93/03/23	WS
D	42106 FIND WAS 39529-001, NOTE 1 ADDED	00/03/31	RS
E	0003-03 CHANGE QTY. FOR ITEM 11 TO 2 & ITEM 12 TO 4	03/10/24	CB
F	0471-04 REMOVED ITEM 10, ITEM 1 WAS 1221-001	04/06/01	CB

.203 DIA HOLE  
4 MTG HOLES  
SEE NOTE 1



CONSTRUCTION  
MAIN CONTACTS  
CONFIGURATION  
VOLTAGE (NOM.)  
CURRENT RES.

GASKET SEALED, SILASTIC SEALED  
SPST N.O.  
28 VDC  
200 AMP.

AUXILIARY CONTACTS  
CONFIGURATION  
VOLTAGE  
CURRENT RES.

DPDT  
28 VDC  
5 AMP  
3 AMP

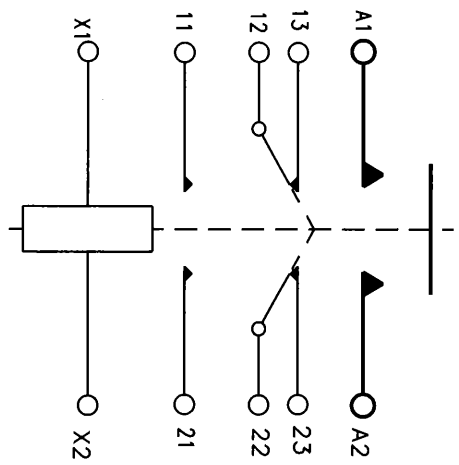
COIL DATA  
MAX. OPERATE  
MIN. OPERATE  
PICKUP AT 25°C  
DROPOUT  
RES. AT 25°C  
DUTY CYCLE  
ENCAPSULATED COIL

32 VDC  
24 VDC  
16.5 V, MAX.  
1 TO 7 VDC  
70 OHMS ± 20%  
CONTINUOUS

ENVIRONMENTAL DATA  
AMBIENT TEMP.  
LIFE ELECTRICAL  
LIFE MECHANICAL  
WEIGHT MAX.

-55° C TO +71° C  
50,000 CYCLES MIN.  
100,000 CYCLES MIN.  
1 LB. 8 OZ.

NOTE:  
1. PAINT REMOVED FROM 2 OPPOSITE MTG HOLES,  
TOP & BOTTOM, FOR GROUNDING PURPOSES.



QTY	IDENTIFYING NO	PART OR NO	DESCRIPTION	FSCM NO	DRAWING OR SPECIFICATION	MATERIAL OR NOTE
13	ARI	54102-001	GLYPHTOL			
12	4	57200-032	BLACK VINYL MARKING			
11	2	57200-038	BLACK VINYL MARKING			
9	2	51807-034	WASHER - LOCK NO. 1/4 SPLIT			BRONZE
8	2	51806-014	WASHER - LOCK NO. 6 SPLIT			BRONZE
7	2	51703-064	WASHER - 1/2 X 1/16 X .032 FLAT			BRASS
6	4	51200-020	SCREW NO. 4 X 1/4 PAN HEAD			S. STEEL
5	2	50407-364	NUT - 1/4-28 X 7/16 X 3/16 HEX.			BRASS
4	2	50406-034	NUT - 6-32 X 1/4 X 5/64 HEX.			BRASS
3	1	39687-010	CONTACTOR ASSEMBLY - PRIMARY			
2	2	34290-001	PLATE - COVER			
1	1	47618-001	PLATE - NAME			

UNLESS OTHERWISE SPECIFIED DIMENSIONS ARE IN INCHES TOLERANCES ON			
2 PL DEC. 3 PL DEC. ANGLES	.06	.010	.1*

DR BY	RCB	103/10/24
CHK BY	CB	103/10/24
ENGR	RS	103/11/05
MFG	MB	103/11/04

SIZE	CODE IDENT
C	74063

SCALE	NONE	SHEET

REV.	DESCRIPTION	DATE	APPROVED
	CONTACTOR - S.P.S.T. N.O.		
	200 AMP, 28 VDC		



181 Hartmont Blvd., Suite 175 N. Diamond Street Mansfield, Ohio 44902

REF TYCO P/N 0-1616055-6