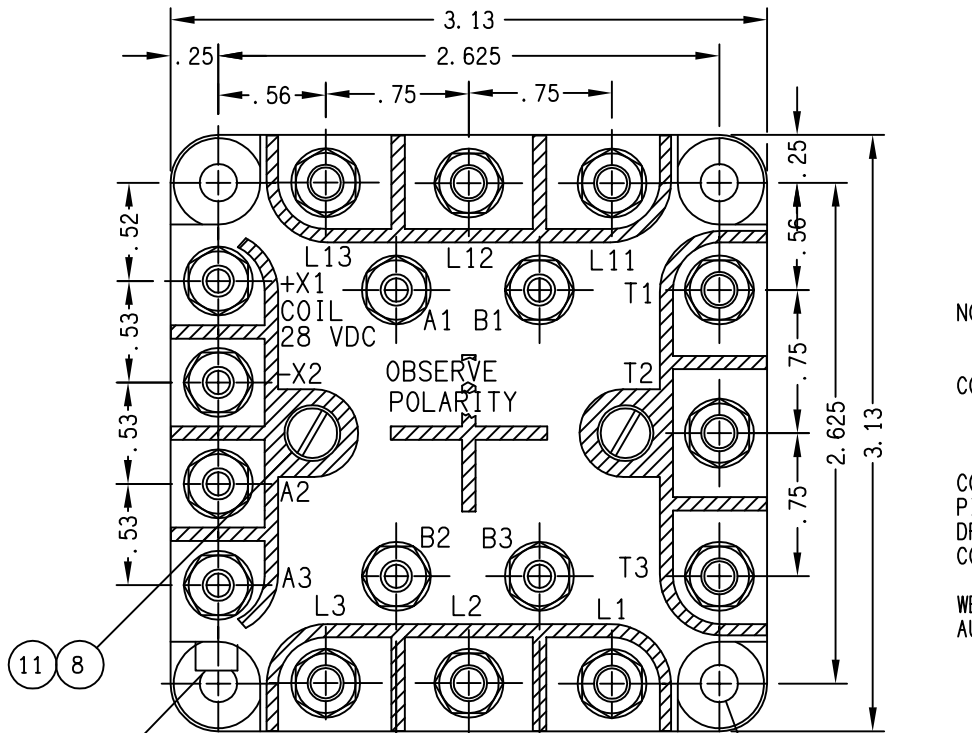
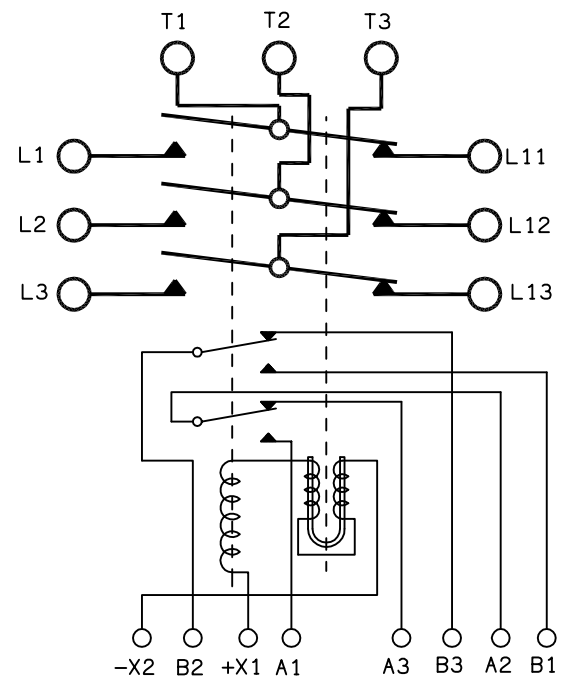


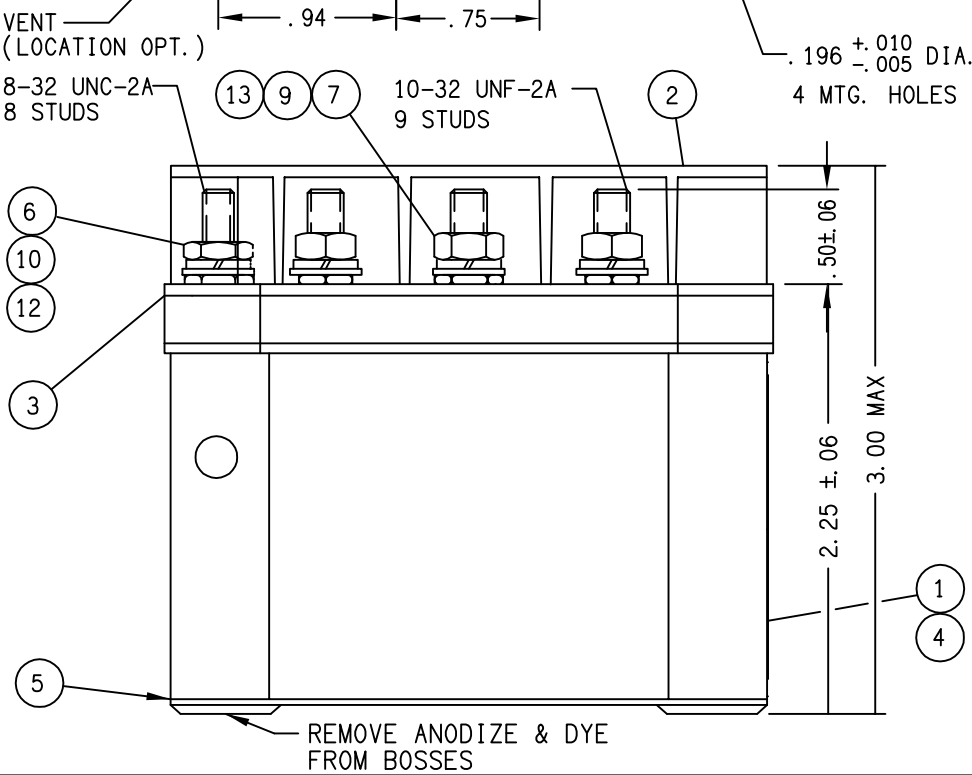
REVISIONS			RELEASED	
REV	ECN No.	DESCRIPTION	DATE	APPROVED
H	33634	REDRAWN, FIND NO 4 ADDED	97/09/08	RS
J	10-006698	ITEM 7 WAS -054	10/02/16	CB



NOMINAL VOLTAGE 28 V DC
 COIL 200 V AC, 400 HZ
 CONTACTS 60 AMPS/PHASE
 CONTACTS TPDT NC
 PICKUP VOLTAGE 18 V MAX (HOT)
 DROPOUT VOLTAGE 7 +/- 0.5 VOLTS
 COIL CURRENT AT 29V (EST) MAX & 25° C .5 AMP
 WEIGHT (MAX) 1 LB 8.5 OZ
 AUX CONTACT RATING
 INDUCTIVE 3 AMP
 RESISTIVE 5 AMP
 MOTOR 3 AMP



- NOTES:
 1. TERMINAL COVER STAMPED "DANGER HIGH VOLTAGE"
 2. MAX AMBIENT TEMP TO BE 120° C



FIND NO	QTY REQD	PART OR IDENTIFYING NO	NOMENCLATURE OR DESCRIPTION	FSCM NO	DRAWING OR SPECIFICATION	MATERIAL OR NOTE
13	9	51810-054	WASHER - LOCK NO. 10 SPLIT		MS35338-100	BRONZE
12	8	51808-064	WASHER - LOCK NO. 8 SPLIT		MS35338-99	BRONZE
11	2	51806-034	WASHER - LOCK NO. 6 INT.		MS35333-68	BRONZE
10	8	51712-104	WASHER - 3/8 X 11/64 X .032		AN961-8	BRASS
9	9	51702-844	WASHER - 3/8 X 13/64 X .032		AN961-10	BRASS
8	2	51206-644	SCREW - 6-32 X 3/4 RD. HD.		MS35214-29	BRASS
7	9	50410-174	NUT - 10-32 X 5/16 X 9/64 HEX.			BRASS
6	8	50408-034	NUT - 8-32 X 5/16 X 3/32 HEX.			BRASS
5	1	21432-010	CONTACTOR ASSEMBLY - PRIMARY			
4	1	39529-001	OVERLAY NAME PLATE			
3	1	14898-001	PLATE - BASE COVER			
2	1	12531-003	SHIELD - TERMINAL			
1	1	16043-001	PLATE - NAME			

UNLESS OTHERWISE SPECIFIED DIMENSIONS ARE IN INCHES TOLERANCES ON		 Tyco Electronics Hartman Division, 175 N. DIAMOND STREET MANSFIELD, OHIO 44902	
2 PL DEC. ± .03	3 PL DEC. ± .010	ANGLES ± 1°	DR BY RLS 97/09/16 CHK BY RS 97/09/16 ENGR WES 97/09/18 MFG JH 97/09/17
MATERIAL		SIZE C	CODE IDENT 74063
		SCALE NONE	SHEET
			CONTACTOR - TPDT NC 093 DWG NO. B-138XAH REF TE P/N 1616028-2