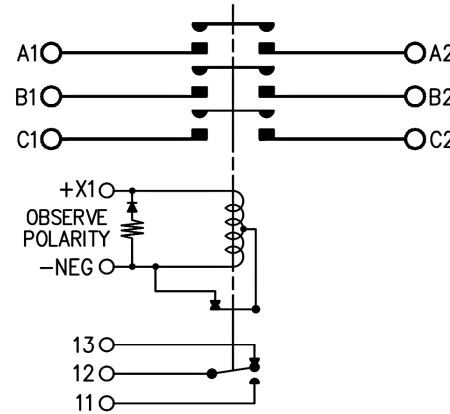
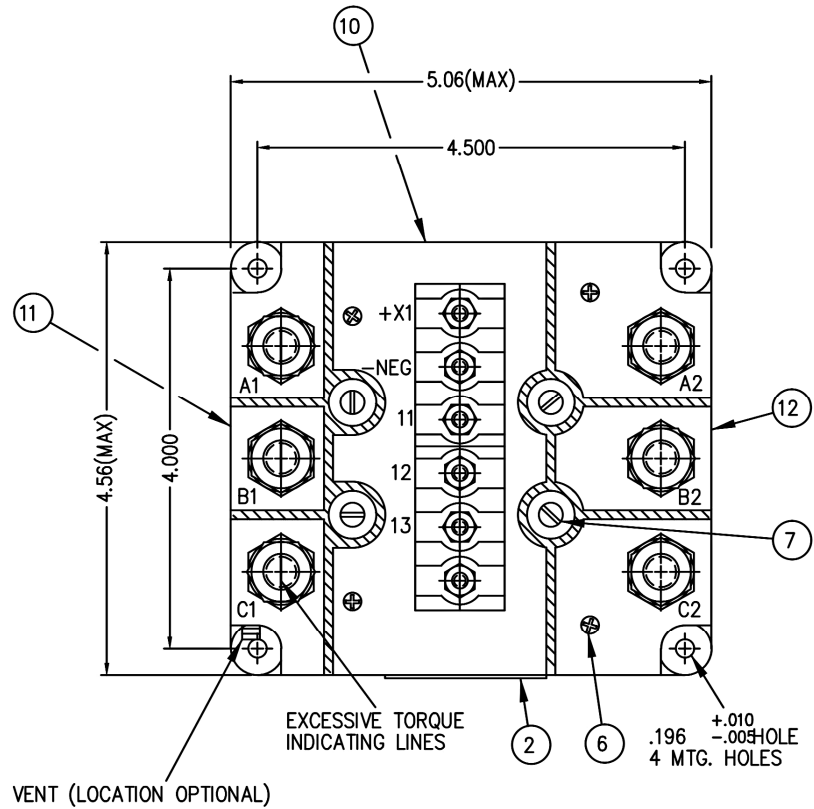


REVISIONS			RELEASED	
REV	ECN No.	DESCRIPTION	DATE	APPROVED
E	9451	ADDED NOTE 2	9-7-76	JD
F	11099	51200-141 WAS -020	9-25-78	RS
G	0167-03	REDRAWN; ADDED ITEM 14; CHG'D QTY OF ITEMS 5 & 9	04/06/21	BK
H	12-010169	WEIGHT WAS 3 LBS 11 OZ	12/05/04	CB
J	14-019433	3.88 MAX WAS 2.86 MAX; REMVD ITEM 14 39529-001	14/12/31	MDM
K	17-008568	ADDED MAX TO DIM 4.56 AND 5.06.	17/06/13	RS



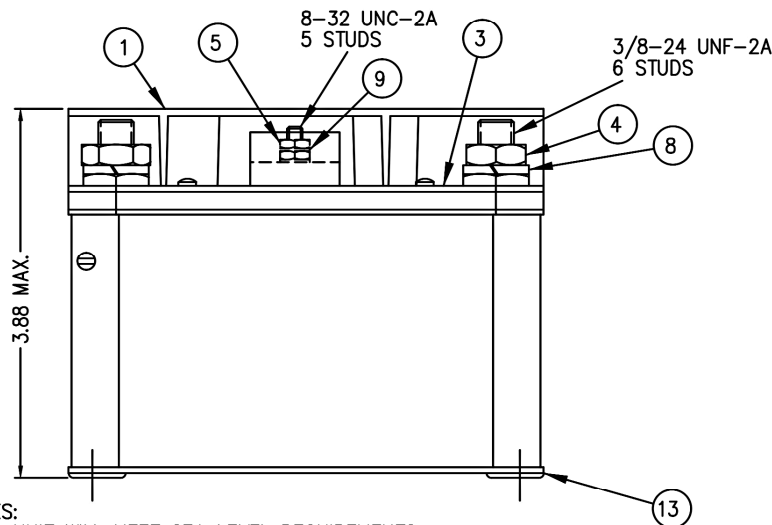
AUXILIARY CONTACT RATING
 RATING AT 28 VDC OR 115 V 400HZ

INRUSH	17 AMP
CARRY	10 AMP
BREAK	5 AMP

NOMINAL COIL VOLTAGE 28 VDC
 PICKUP VOLTAGE 18 VOLTS MAX
 DROPOUT VOLTAGE 7 VOLTS
 COIL RESISTANCE (NOMINAL)
 PICKUP COIL AT 25°C 1.5 OHMS ±20%
 HOLDING COIL AT 25°C 90 OHMS ±20%

CONTACTS
 ARRANGEMENT 3PST NO
 RATING 200 AMP, 400 HZ
 MAX WEIGHT 3 LBS 13 OZ

PROPOSED ALTERNATE RATING 100 AMP, 60 HZ
 OVERLOAD INTERRUPTING CAPACITY 5X
 MAX. AMBIENT TEMP 85°C



- NOTES:
- UNIT WILL MEET SEA LEVEL REQUIREMENTS OF MIL-E-5272.
 - ALL SCREWS TERMINAL AND HOLES, INCLUDING THE TERMINAL BLOCK TO BE SEALED WITH SILASTIC.

FIND NO	QTY REQD	PART OR IDENTIFYING NO	NOMENCLATURE OR DESCRIPTION	FSCM NO	DRAWING OR SPECIFICATION	MATERIAL OR NOTE
14						
13	1	26845-010	CONTACTOR ASSEMBLY-PRIMARY			
12	1	33161-001	PLATE-WIRING DIAGRAM			
11	1	17959-001	PLATE-WARNING			
10	1	12771-001	PLATE-WARNING			
9	6	51808-064	LOCKWASHER - #8 SPLIT			BRONZE
8	6	51807-084	LOCKWASHER - #8 SPLIT			BRONZE
7	4	51216-031	SCREW - 6-32 X 1/2 BD HD			BRASS
6	4	51200-141	SCREW - NO 4 X 3/16 PAN HD			STEEL
5	6	50408-034	NUT - 8-32 X 5/16 X 3/32 HEX			BRASS
4	6	50407-164	NUT - 3/8-24 X 5/8 X 7/32 HEX			BRASS
3	1	16058-013	PLATE-BASE COVER			
2	1	16043-001	PLATE-NAME			
1	1	11316-001	SHIELD-TERMINAL			

UNLESS OTHERWISE SPECIFIED
 DIMENSIONS ARE IN INCHES
 TOLERANCES ON

2 PL DEC.	3 PL DEC.	ANGLES
±.02	±.010	± 1'

DR BY BK 04/06/21
 CHK BY BK 04/06/21
 ENGR WER 04/07/28
 MFG MB 04/08/02

SIZE C CODE IDENT 74063

SCALE NONE SHEET

STE
 Hartman Division 175 N. DIAMOND STREET MANSFIELD, OHIO 44802

CONTACTOR - 200A., 200V.,
 400 CYCLE, 3PST, D.C. OPERATED

DWG NO. BA-104WA-1

REF TE P/N 1616007-1

993