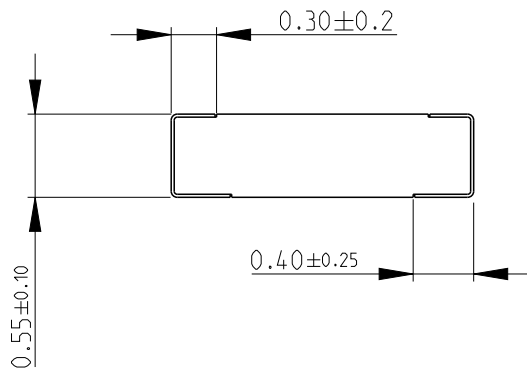
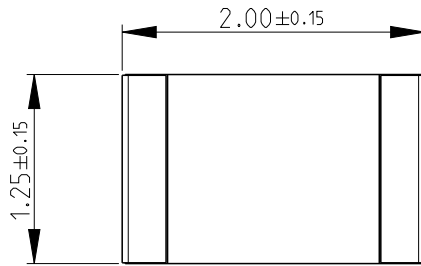
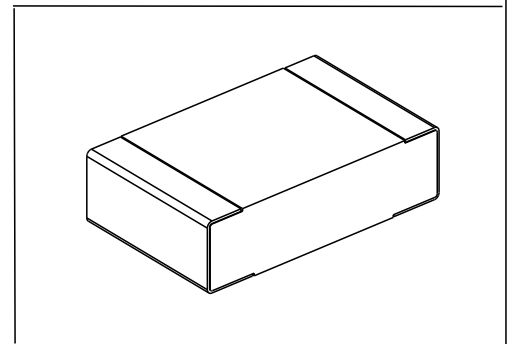
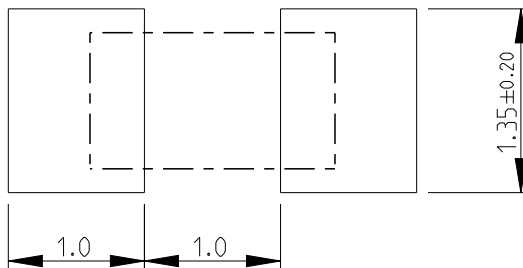


LOC	DIST	REVISIONS					
E	B	P	LTR	DESCRIPTION	DATE	DWN	APVD
		BA		NEW RELEASE	28FEB2013	KR	TN

FOR FURTHER INFORMATION SEE DATA SHEET FOR RN73 SERIES-HIGH PRECISION RESISTORS (SMD)



RECOMMENDED LAND PATTERN



2010


RELEASED FOR PUBLICATION

ALL RIGHTS RESERVED.

THIS DRAWING IS UNPUBLISHED.

BY -

© COPYRIGHT 2010

DIMENSIONS: mm	DWN RAGHAVENDRA.K 28FEB2013	MATERIAL -	FINISH -
TOLERANCES UNLESS OTHERWISE SPECIFIED:	CHK ALLAN.P 28FEB2013	 TE Connectivity	
0 PLC ±0.2 1 PLC ±0.1 2 PLC ± 3 PLC ± 4 PLC ± ANGLES ±5°	APVD TONY.N 28FEB2013		
	PRODUCT SPEC -	NAME HIGH PRECISION RESISTORS - SMD SERIES RN73 2A	
	APPLICATION SPEC -	SIZE A 4	CAGE CODE 00779
	WEIGHT 0.005 GR	DRAWING NO C-1614579	RESTRICTED TO -
Customer Drawing		SCALE 20:1	SHEET 1 OF 1
			REV BA