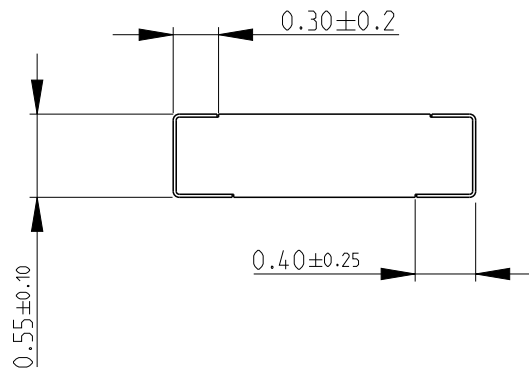
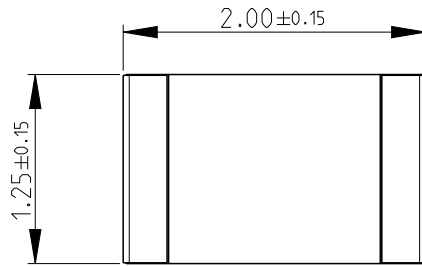
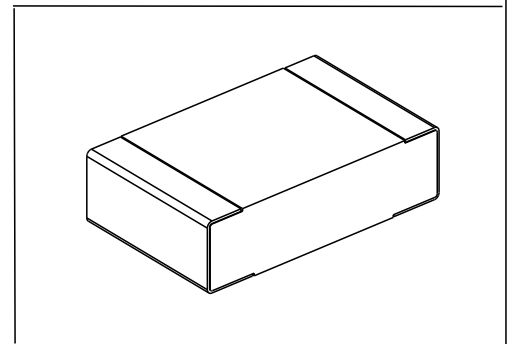
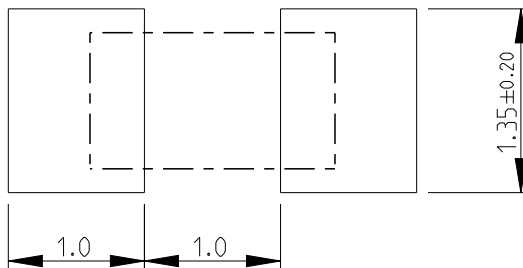


LOC	DIST	REVISIONS					
E	B	P	LTR	DESCRIPTION	DATE	DWN	APVD
			BA	NEW RELEASE	28FEB2013	KR	TN

FOR FURTHER INFORMATION SEE DATA SHEET FOR RN73 SERIES-HIGH PRECISION RESISTORS (SMD)



RECOMMENDED LAND PATTERN



2010

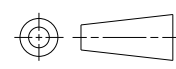
RELEASED FOR PUBLICATION

ALL RIGHTS RESERVED.

THIS DRAWING IS UNPUBLISHED.

BY -

© COPYRIGHT 2010

DIMENSIONS:		DWN	28FEB2013	MATERIAL	-	FINISH	-
mm		RAGHAVENDRA.K					
TOLERANCES UNLESS OTHERWISE SPECIFIED:		CHK	28FEB2013	 TE Connectivity			
0 PLC ±0.2		ALLAN.P					
1 PLC ±0.1		APVD	28FEB2013	NAME HIGH PRECISION RESISTORS - SMD SERIES RN73 2A			
2 PLC ±		TONY.N					
3 PLC ±		PRODUCT SPEC	-	SIZE	CAGE CODE	DRAWING NO	RESTRICTED TO
4 PLC ±		APPLICATION SPEC	-	A 4	00779	©=1614475	-
ANGLES ±5°		WEIGHT	0.005 GR				
		Customer Drawing		SCALE	20:1	SHEET	1 OF 1
						REV	BA