

THIS DRAWING IS UNPUBLISHED.

RELEASED FOR PUBLICATION

-. - .

LOC

DIST

REVISIONS

© COPYRIGHT - By -

ALL RIGHTS RESERVED.

H

-

P

LTR

DESCRIPTION

DATE

DWN

APVD

C1

Dimension 255±2 corrected to 250±5 mm.

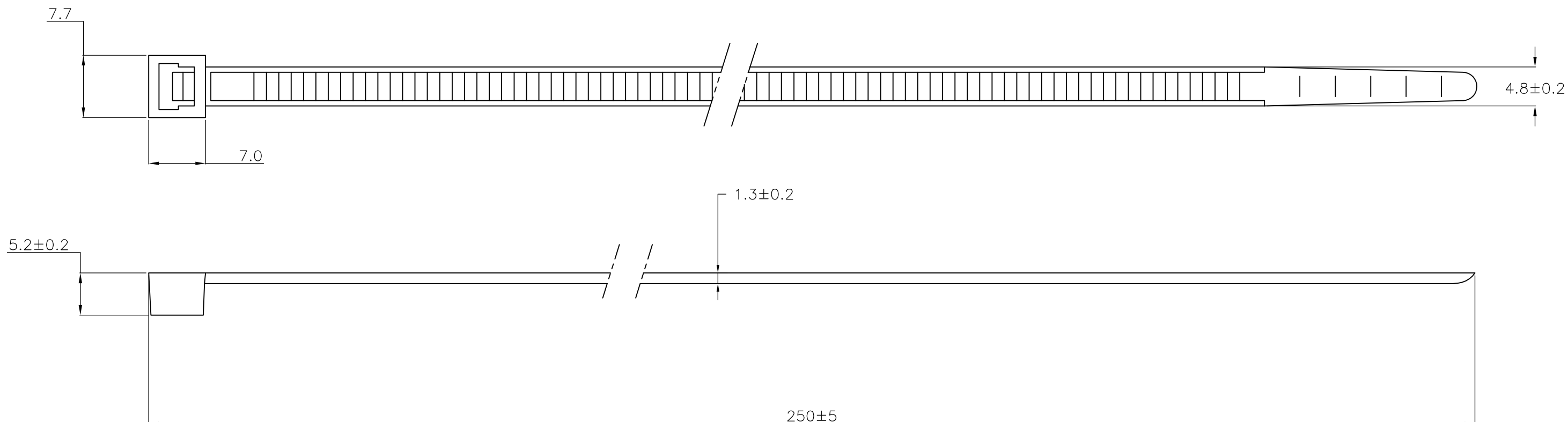
23APR2015

SP

JK

NOTES:

- 1 RANGE: Ø68 MAX.
- 2 MIN. TENSILE STRENGTH 220N.



OBSOLETE	500	BLACK	POLYAMIDE 6.6	3-160976-2
OBSOLETE	500	NATURAL	POLYAMIDE 6.6	3-160976-1
	100	BLACK	POLYAMIDE 6.6	2-160976-2
OBSOLETE	100	NATURAL	POLYAMIDE 6.6	2-160976-1
	QTY	FINISH	MATERIAL	PART NUMBER

THIS DRAWING IS A CONTROLLED DOCUMENT.		DWN	J.V.D.HEIJDEN	27FEB92	<b>STE</b> TE Connectivity								
DIMENSIONS: mm		CHK	R.VOS	-					CABLE TY.				
		APVD	L.V.SOEST	-									
		TOLERANCES UNLESS OTHERWISE SPECIFIED:		PRODUCT SPEC					-				
MATERIAL SEE TABLE		FINISH SEE TABLE		APPLICATION SPEC	-	SIZE	A3	CAGE CODE	00779	DRAWING NO	C-160976	RESTRICTED TO	-
CUSTOMER DRAWING					WEIGHT	-	SCALE	NTS	SHEET	1 OF 1	REV	C1	