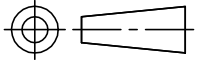


DO NOT SCALE

DIMENSIONS IN INCH

INCH

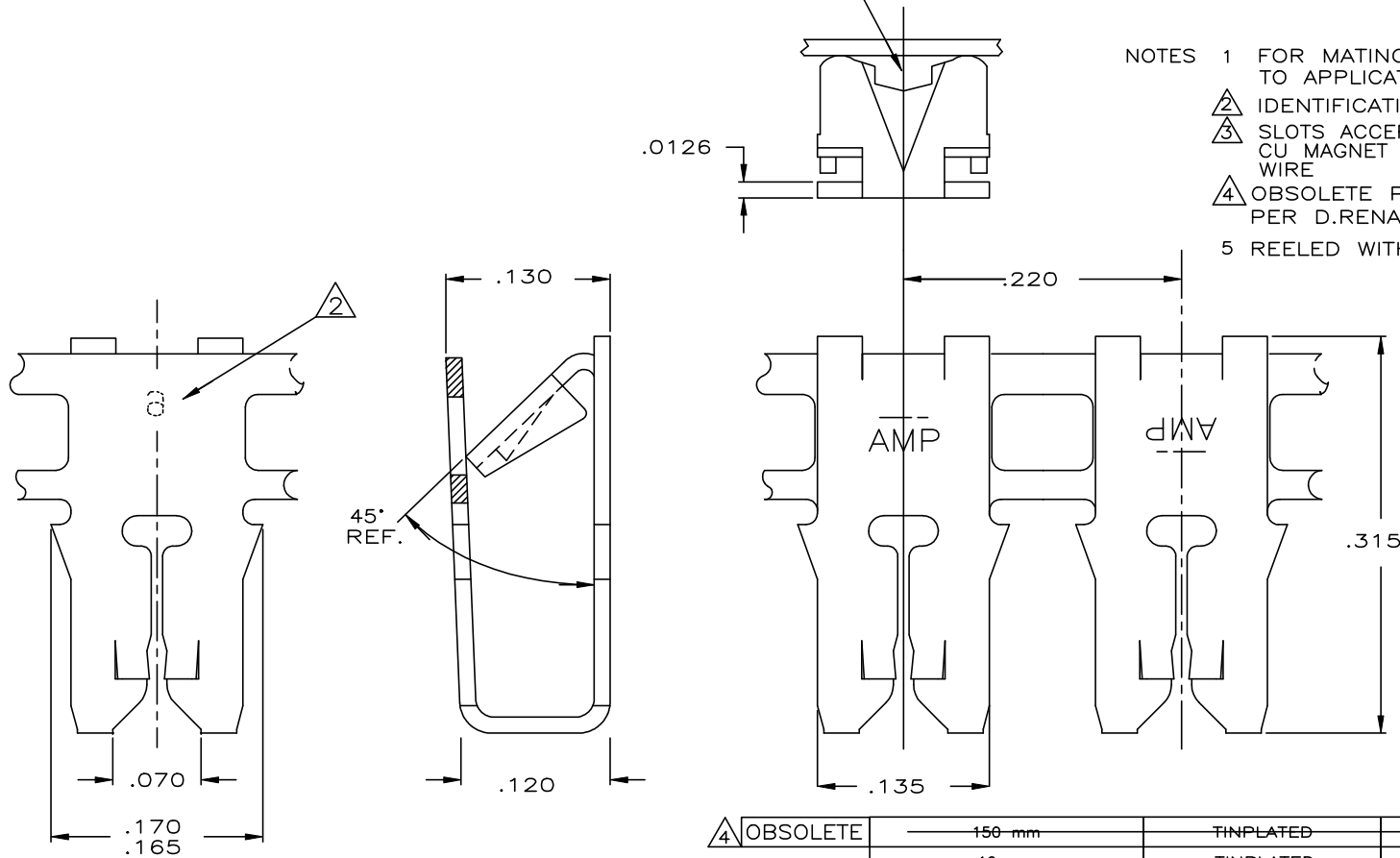
THIRD ANGLE
PROJECTION



| | | | | |
|-----|---------------------------|-----------|----|-----|
| REV | REVISION RECORD | DATE | DW | APD |
| A2 | REVISED PER ECR-19-015041 | 05NOV2019 | PC | MB |

TO ACCEPT AWG 20 OR AWG 18 SOLID
OR FUSED STRANDED LEAD WIRE

- NOTES
- 1 FOR MATING CAVITY SPECIFICATIONS REFER TO APPLICATION SPEC. #114-2046
 - 2 IDENTIFICATION NUMBER FOR SLOT SIZE "6"
 - 3 SLOTS ACCEPT SINGLE OR DOUBLE AWG 30-27 CU MAGNET WIRE OR AWG 28-25 AL MAGNET WIRE
 - 4 OBSOLETE PARTS: OBSOLETE CIS STREAMLINING PER D.RENAUD/D.SINISI
 - 5 REELED WITH INTERLEAVE PAPER.



| | | | | |
|------------|-----------|-----------|----------|------------|
| 4 OBSOLETE | 150 mm | TINPLATED | BRASS | 160899-5 |
| | 12 mm | TINPLATED | BRASS | 160899-4 |
| | REELWIDTH | FINISH | MATERIAL | PARTNUMBER |

CUSTOMER
DRAWING



~~THIS DRAWING IS UNPUBLISHED~~ RELEASED FOR PUBLICATION APRIL, 1985

FOR REFERENCE ONLY
WILL NOT BE UPDATED

© COPYRIGHT 19 86,87,88 BY AMP-HOLLAND B.V.
ALL INTERNATIONAL RIGHTS RESERVED.
AMP PRODUCTS MAY BE COVERED BY U.S. AND FOREIGN PATENTS AND/OR
PATENTS PENDING.

| | | | | |
|----------------------|------------------|-----------------|------------------|-------------------|
| DR. D.CAMPSCHROER | DATE 30/05/85 | WIRE RANGE 3 | NAME MAG-MATE | REV.DATE D M Y |
| CHK. W.ESSER | DATE | INSUL.RANGE | POKE-IN TERMINAL | 160388 |
| APP. L.VAN SOEST | DATE | SIZE A3 | SHEET 1 OF 1 | DWG. No. 160899 |
| | | | | REV.LTR. A2 |

8

7

6

5

4

3

2

1

A

B

C

D

E

F