

4

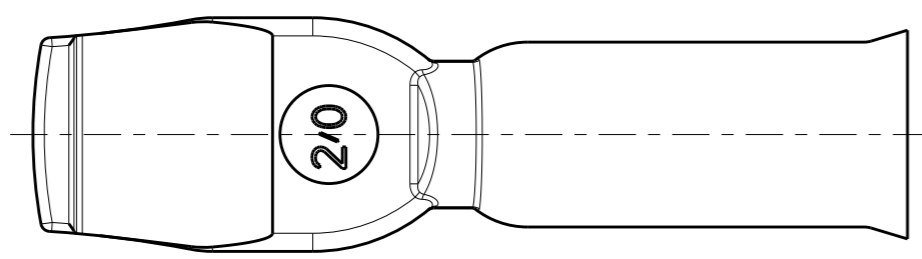
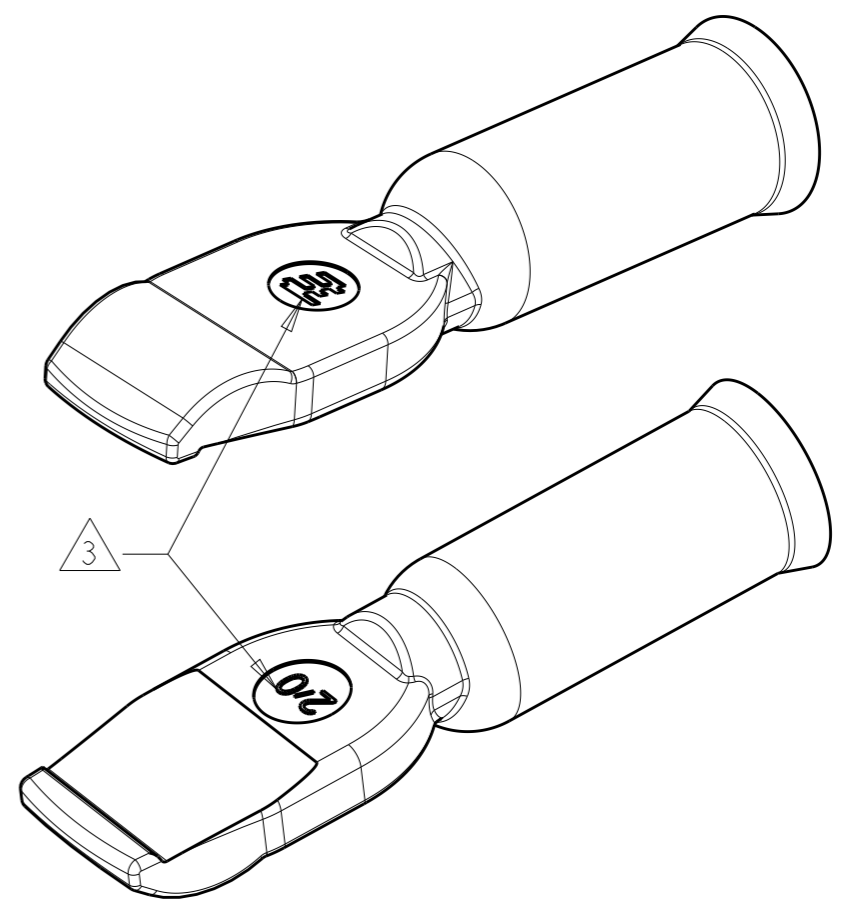
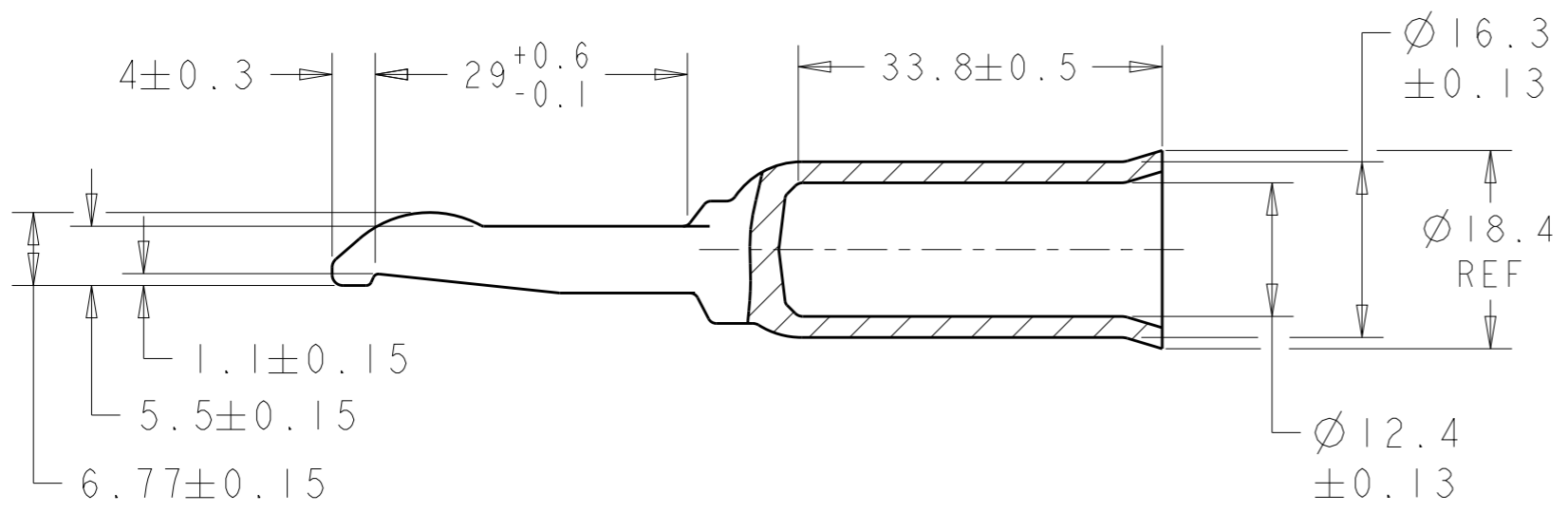
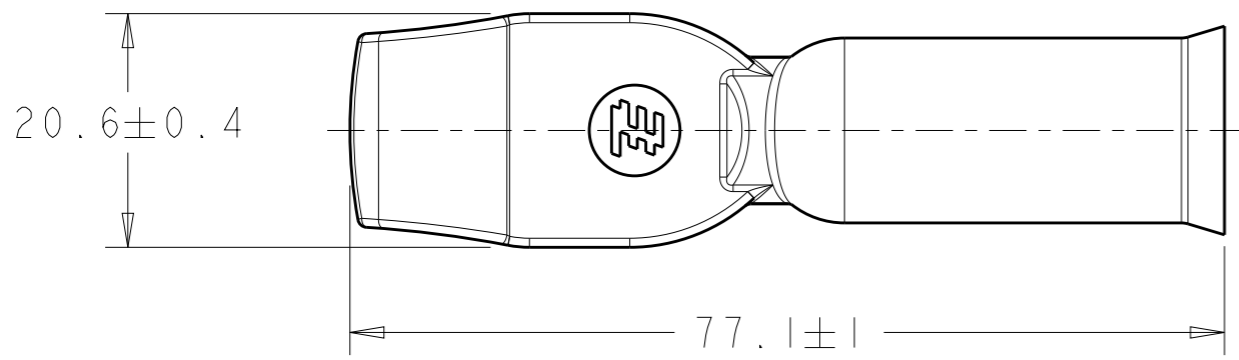
3

2

1

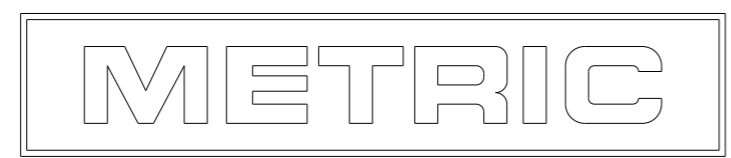
THIS DRAWING IS UNPUBLISHED. RELEASED FOR PUBLICATION 20
 © COPYRIGHT 20 BY TYCO ELECTRONICS CORPORATION. ALL RIGHTS RESERVED.

LOC	DIST	REVISIONS					
CM	0	P	LTR	DESCRIPTION	DATE	DWN	APVD
			B	REV PER ECR 10-006756	01APR10	JR	SM
			C	REV PER ECR-18-000415	19JAN2018	RS	SZ



1. MATERIAL: COPPER ALLOY
2. FINISH: PLATED SILVER
3. STAMP MARK MAY BE ROTATED

AS SHOWN	1604054-1
DESCRIPTION	PART NUMBER



<small>THIS DRAWING IS A CONTROLLED DOCUMENT FOR TYCO ELECTRONICS CORPORATION. IT IS SUBJECT TO CHANGE AND THE CONTROLLING ENGINEERING ORGANIZATION SHOULD BE CONTACTED FOR THE LATEST REVISION.</small>		DWN 09APR2002 Brent D. Yohn		tyco Tyco Electronics Electronics Harrisburg, PA 17105-3608	
DIMENSIONS: mm		TOLERANCES UNLESS OTHERWISE SPECIFIED: 0 PLC ±- 1 PLC ±0.3 2 PLC ±0.13 3 PLC ±0.050 4 PLC ±- ANGLES ±1°		NAME CONTACT, AMP POWER SERIES 350, 2/0 AWG	
MATERIAL -		FINISH -		PRODUCT SPEC - APPLICATION SPEC - WEIGHT -	
CUSTOMER DRAWING		SCALE 3:2		SHEET 1 OF 1 REV C	