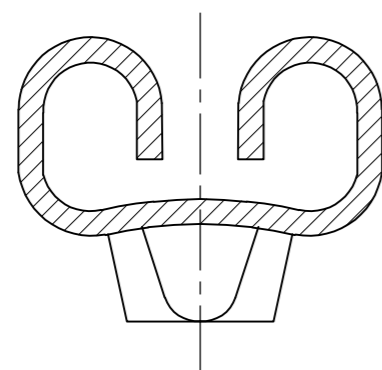
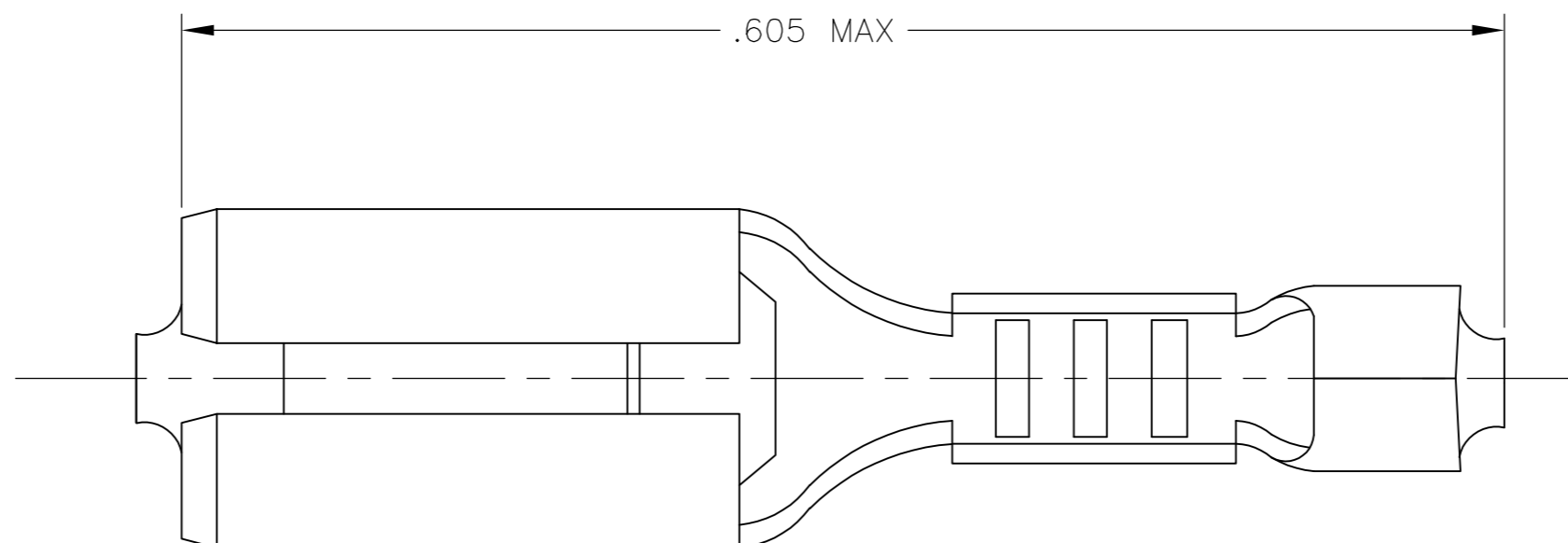


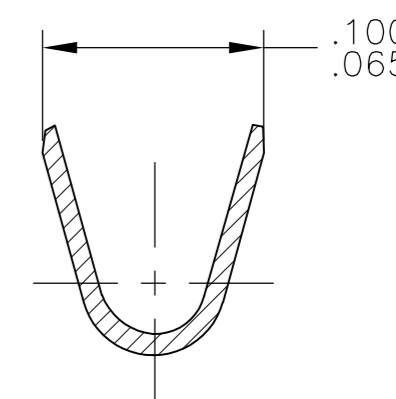
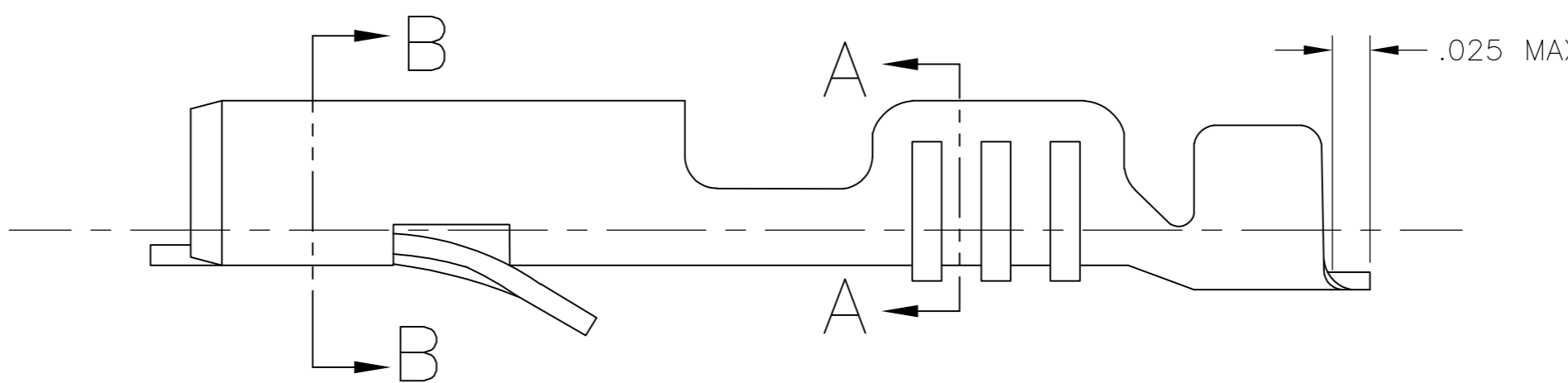
THIS DRAWING IS UNPUBLISHED. RELEASED FOR PUBLICATION  
 © COPYRIGHT - - ALL RIGHTS RESERVED.

| REVISIONS |     |             |           |       |
|-----------|-----|-------------|-----------|-------|
| P         | LTR | DESCRIPTION | DATE      | APVD  |
| A         |     | NEW DRAWING | 20NOV2016 | RS TD |

1 OBSOLETE PARTS : OBSOLETE CIS STREMLINING PER D.RENAUD/D.SINISI.



SECTION B-B



SECTION A-A

| CODE | MATERIAL DESCRIPTION |
|------|----------------------|
| A    | BRASS                |
| B    | COPPER               |
| C    | STEEL                |
| D    | PHOSPHOR BRONZE      |
| CODE | PLATING DESCRIPTION  |
| 1    | ELECTRO-TIN          |
| 2    | SILVER               |

APPLICATOR FEED DIRECTION



THIS DRAWING IS A CONTROLLED DOCUMENT.

|                       |  |
|-----------------------|--|
| DIMENSIONS:<br>INCHES | TOLERANCES UNLESS OTHERWISE SPECIFIED:<br>0 PLC ± -<br>1 PLC ± -<br>2 PLC ± -<br>3 PLC ± .015<br>4 PLC ± -<br>ANGLES ± - |
| MATERIAL<br>SEE TABLE | FINISH<br>SEE TABLE  |

|                  |          |           |
|------------------|----------|-----------|
| DWN              | RAVI S   | 20NOV2016 |
| CHK              | LI DAISY | 20NOV2016 |
| APVD             | DING TIM | 20NOV2016 |
| PRODUCT SPEC     |          |           |
| APPLICATION SPEC |          |           |
| WEIGHT           | -        |           |
| CUSTOMER DRAWING |          |           |

|             |          |          |
|-------------|----------|----------|
| 160366-6    | D-2      | 160367-6 |
| 160366-5    | D-1      | 160367-5 |
| 160366-4    | D        | 160367-4 |
| 1           | 160366-3 | -        |
|             | 160366-2 | A-1      |
| 1           | 160366-1 | -        |
| STRIP EQUIN | MAT      | PART NO  |

|                         |           |                 |               |
|-------------------------|-----------|-----------------|---------------|
| <b>STE</b>              |           | TE Connectivity |               |
| NAME .110 SERIES FASTIN |           |                 |               |
| SIZE                    | CAGE CODE | DRAWING NO      | RESTRICTED TO |
| A2                      | 00779     | C=160367        | -             |
| SCALE 1:1               |           | SHEET 1 of 1    | REV A         |

WIRE RANGE: 22-20  
 INS. RANGE: Ø.050-.080