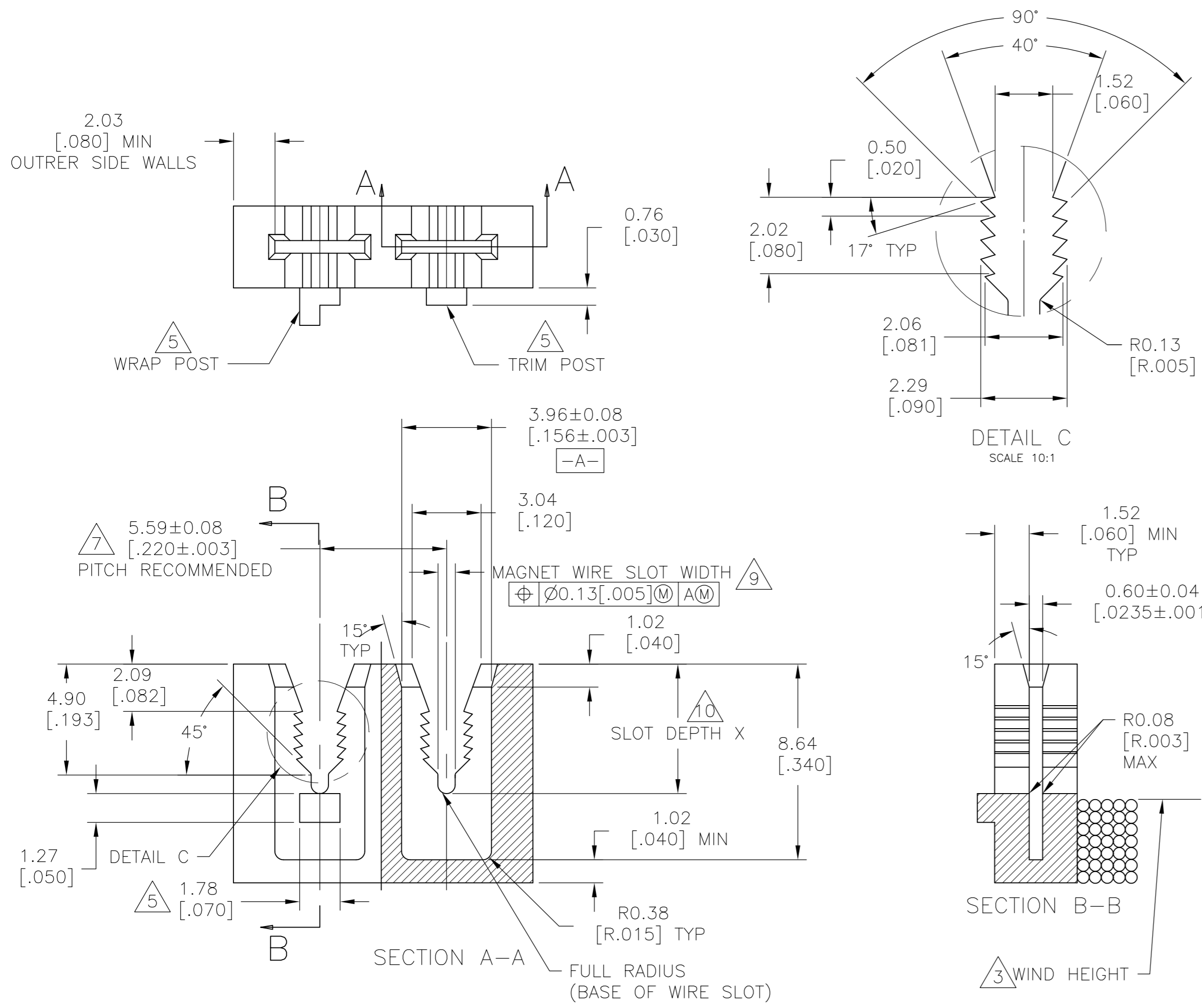
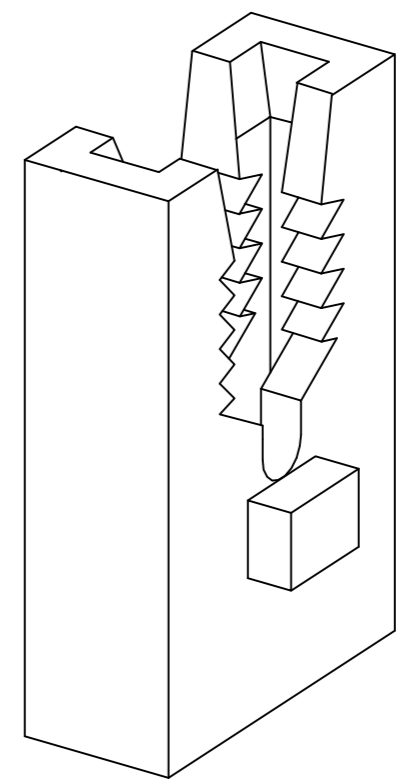


THIS DRAWING IS UNPUBLISHED. RELEASED FOR PUBLICATION
 © COPYRIGHT BY TYCO ELECTRONICS CORPORATION. ALL INTERNATIONAL RIGHTS RESERVED.

LOC		DIST		REVISIONS			
P	LTR	DESCRIPTION	DATE	DWN	APVD		
AF	50						
	01	REVISED PER ECR-09-021506	01OCT09	HMR	GJ		



- DIMENSIONS SPECIFIED MAY VARY PER CUSTOMER APPLICATION, DO NOT TOOL WITHOUT TYCO ELECTRONICS REVIEW AND APPROVAL.
- TOP PORTION OF POCKET WILL ACCEPT THE FOLLOWING LEAD WIRES ONLY: 18 TO 22 AWG. (0.8mm²-0.3mm²) WITH 2.30-2.54 [.090-.100] O.D. INSULATION.
- COIL WIND HEIGHT MUST NOT EXCEED BASE OF WIRE SLOT AS SHOWN UNLESS PROVISIONS ARE MADE TO KEEP 'FINISH' WIRE FLAT AGAINST BASE OF WIRE SLOT.
- THIS RESTRAINT DESIGN IS RECOMMENDED FOR HARD MATERIALS SUCH AS RYNITE FR 530, ETC.
- WIRE 30 AWG (0.25 [.010]) AND SMALLER REQUIRES A WRAP POST INSTEAD OF A TRIM POST. SEE SPEC DRAWING #1601447.
- MUST MAINTAIN SLOT THICKNESS 0.60 [.0235] INCLUDING DRAFT ANGLE FROM BOTTOM OF POCKET TO 0.38 [.015] MINIMUM ABOVE BASE OF WIRE SLOT. (0.71 [.028] MAX. THICKNESS AT TOP).
- WHENEVER POSSIBLE, POCKET PITCH TO MATCH TERMINAL PITCH. MINIMUM PITCH TO BE 5.00 [.197]
- RADIAL & AXIAL STRAIN RELIEF IS LIMITED WITH THIS DESIGN. REVIEW RETENTION REQUIREMENTS WITH TYCO ELECTRONICS PRODUCT ENGINEERING PRIOR TO BEGINNING DESIGN.
- SIZE THIS SLOT WIDTH TO LARGEST WIRE DIAMETER. CONSULT MOLD VENDOR IF LESS THAN 0.50 [.020] IS TO BE SPECIFIED.
- REFER TO TABLE BELOW. CONSULT TYCO ELECTRONICS IF WIRE SIZE TO BE USED OVERLAP THE RANGES SHOWN.
- SLOT DEPTH DIMENSIONS ARE FOR CONNECTING ONE MAGNET WIRE WITH A MOVING BEAM SIAMEZE CONTACT. CONSULT TYCO ELECTRONICS FOR BIFILAR (2 WIRE) CONNECTIONS.



MAGNET WIRE SIZE mm DIA [AWG]	SLOT DEPTH "X" ±0.08 [±.003]
1.02-0.69 [#18-#21.5]	6.22 [.245]
0.65-0.43 [#22-25.5]	5.92 [.233]
0.41-0.27 [#26-#29.5]	5.72 [.225]
0.25-0.17 [#30-#33.5]	5.59 [.220]
0.16-0.13 [#34-#36]	5.51 [.217]

THIS DRAWING IS A CONTROLLED DOCUMENT.

DIMENSIONS: mm [INCHES]	TOLERANCES UNLESS OTHERWISE SPECIFIED: 0 PLC ± - 1 PLC ± - 2 PLC ± 0.13 [.005] 3 PLC ± - 4 PLC ± - ANGLES ± 2°	DWN MICHAEL S. FEHER 05APR2002 CHK GENE JACONO 05APR2002 APVD KURT A. RANDOLPH 05APR2002 PRODUCT SPEC	Tyco Electronics Corporation Harrisburg, PA 17105-3608
MATERIAL 4	FINISH -	NAME SIAMEZE POCKET SPECIFICATION WITH INTEGRAL LEAD WIRE RESTRAINT	SIZE A2
CUSTOMER DRAWING		WEIGHT -	CAGE CODE 00779
		SCALE 6:1	DRAWING NO 114-13166
		SHEET 1 OF 1	RESTRICTED TO -
		REV 01	