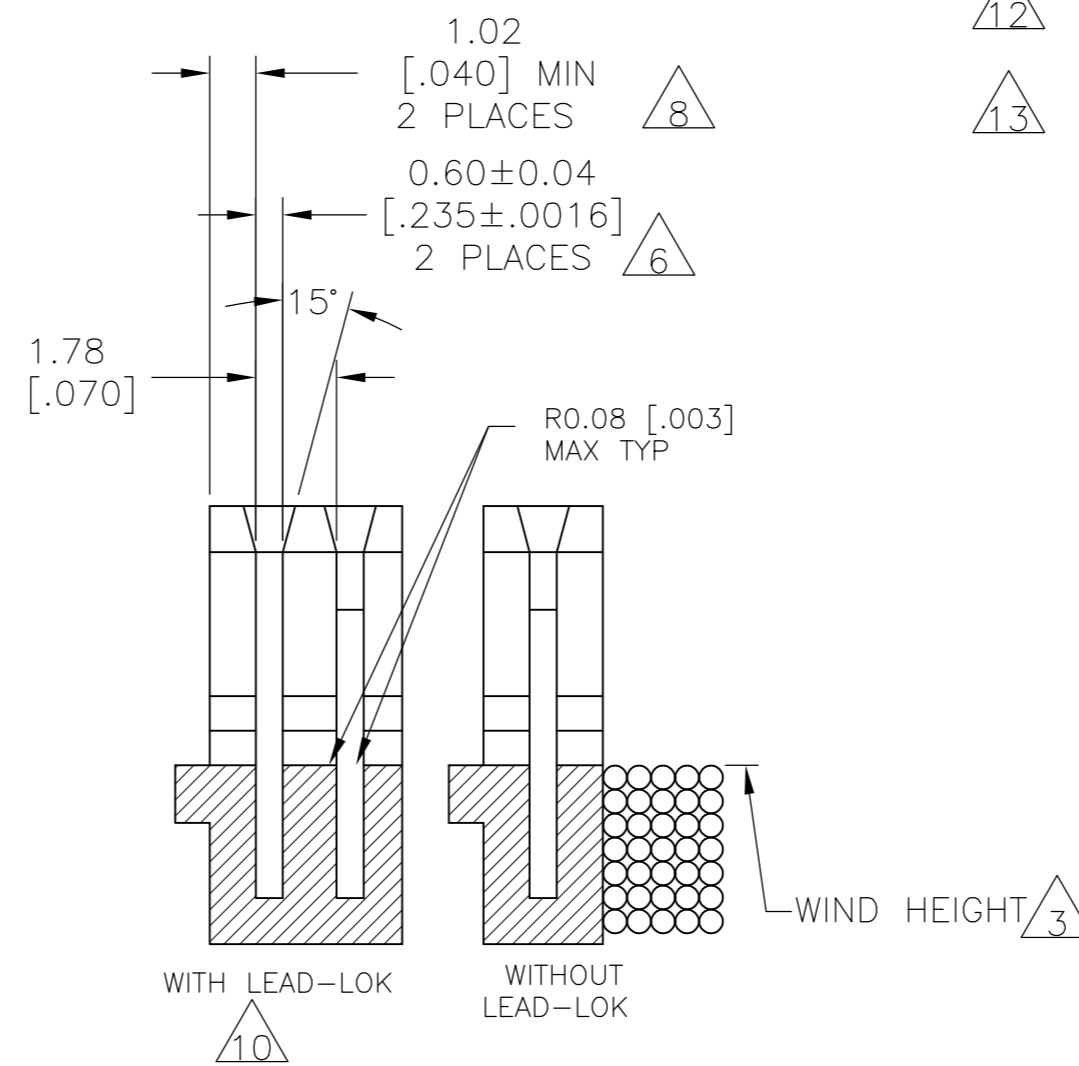
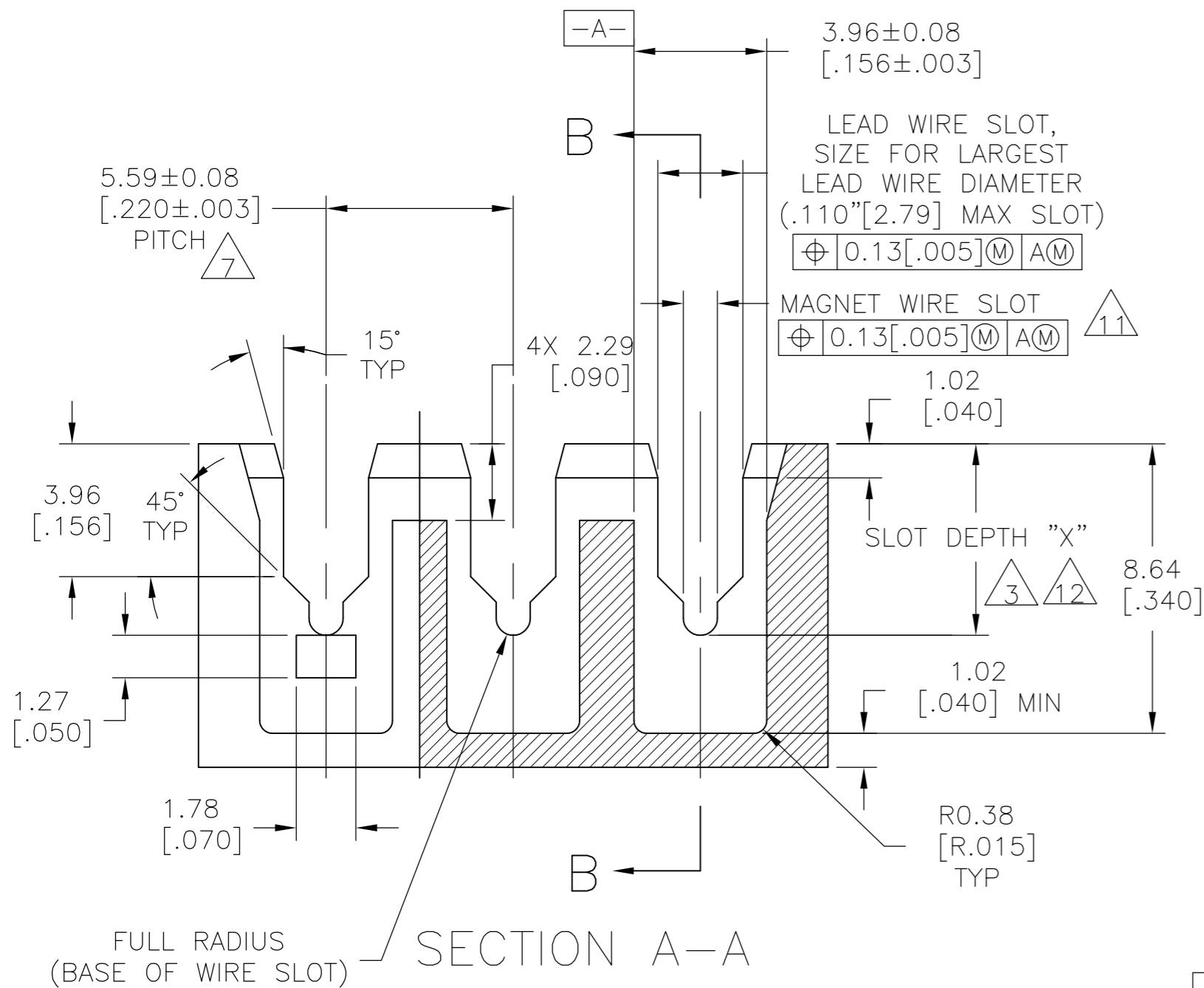
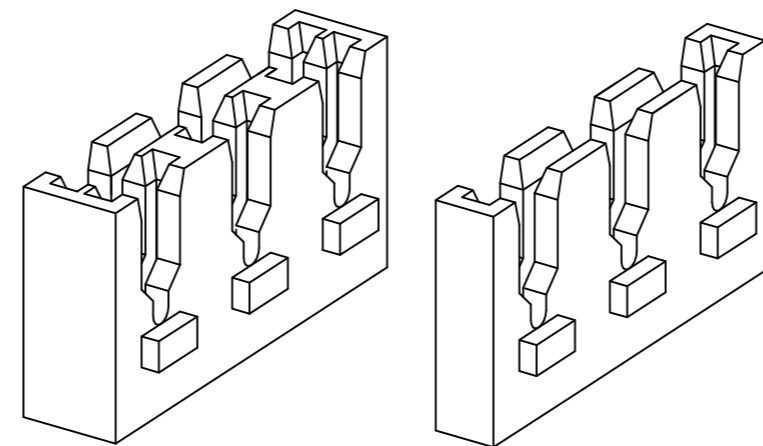
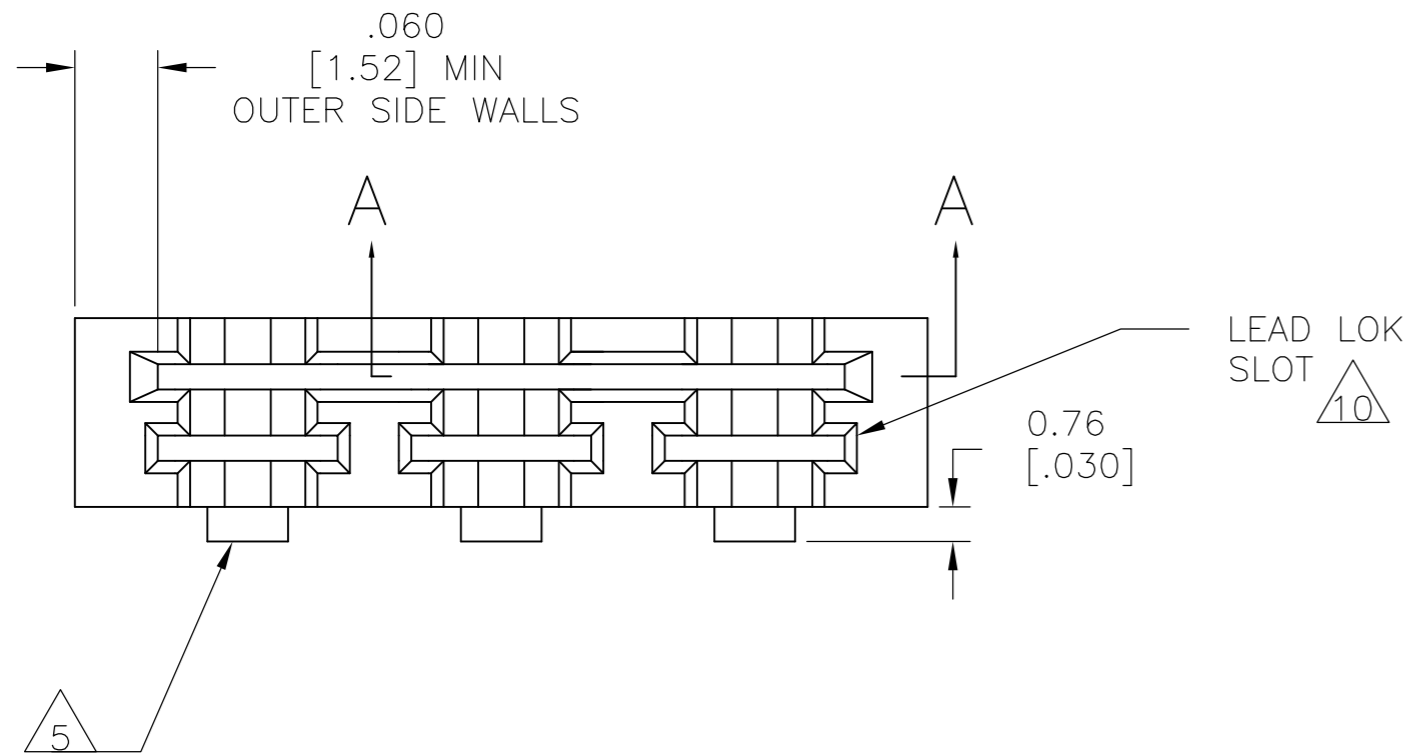


THIS DRAWING IS UNPUBLISHED. RELEASED FOR PUBLICATION  
 © COPYRIGHT BY TYCO ELECTRONICS CORPORATION. ALL INTERNATIONAL RIGHTS RESERVED.

LOC		DIST		REVISIONS			
P	LTR	DESCRIPTION	DATE	DWN	APVD		
AF	50	B	REVISED PER ECR-09-010867	18MAY09	HMR	GJ	

- DIMENSIONS SPECIFIED MAY VARY PER CUSTOMER APPLICATION, DO NOT TOOL WITHOUT TYCO ELECTRONICS REVIEW AND APPROVAL.
- TYCO ELECTRONICS REQUIRES THE FOLLOWING INFORMATION IN ORDER TO APPROVE THE CUSTOMERS APPLICATION DRAWING: MAGNET WIRE RANGE, LEAD WIRE RANGE AND INSULATION DIAMETER.
- MAGNET WIRE COIL MUST NOT EXCEED HEIGHT OF MAGNET WIRE SLOT AS SHOWN UNLESS PROVISIONS ARE MADE TO KEEP "FINISH" WIRE FLAT AGAINST BASE OF WIRE SLOT.
- MATERIAL RECOMMENDED: NYLON 6/6 AND NYLON 6/6 30% GLASS FILLED. OTHER MATERIALS ARE ACCEPTABLE HOWEVER, CONSULT TYCO ELECTRONICS FOR SPECIFICATIONS.
- 30 AWG (Ø 0.26 [.01]) WIRE AND FINER REQUIRES WIRE POST WRAP. SEE SPEC. DRW. #1601447.
- MUST MAINTAIN SLOT THICKNESS (0.60) [.0235] INCLUDING DRAFT ANGLE FROM BOTTOM OF POCKET TO 0.38 [.015] MINIMUM ABOVE BASE OF WIRE SLOT. (0.71 [.028] MAX. THICKNESS AT TOP).
- POCKET PITCH MUST MATCH TERMINAL PITCH, BUT WITH TOLERANCES SHOWN.
- 1.52 [.060] MIN. WALL THICKNESS RECOMMENDED ON TRIM POST SIDE WHEN WIRE TRIMMING IS REQUIRED.
- FOR DOUBLE BUSSED & SINGLE HIGH CARRIER SIAMEZE SEE POCKET #1601433.
- LEAD LOK SLOT TO BE POSITIONED ON LEAD WIRE EXIT SIDE. POSITION SHOWN IS FOR LEAD WIRE EXITING AWAY FROM WINDING.
- SIZE THIS SLOT FOR LARGEST WIRE DIA. CONSULT MOLD VENDOR IF SMALLER THAN 0.51 [.020] IS TO BE SPECIFIED.
- REFER TO TABLE. CONSULT TYCO ELECTRONICS IF WIRE SIZE TO BE USED, OVERLAP THE RANGES SHOWN.
- SLOT DEPTH DIMENSIONS ARE FOR CONNECTING ONE MAGNET WIRE WITH A MOVING BEAM SIAMEZE CONTACT. CONSULT TYCO ELECTRONICS FOR BIFILAR (2 WIRE) CONNECTIONS.



SECTION B-B

MAGNET WIRE SIZE mm DIA [AWG]	SLOT DEPTH "X" ±0.08 [±.003]
1.02-0.69 [#18-#21.5]	6.22 [.245]
0.65-0.43 [#22-#25.5]	5.92 [.233]
0.41-0.27 [#26-#29.5]	5.72 [.225]
0.25-0.17 [#30-#33.5]	5.59 [.220]
0.16-0.13 [#34-#36]	5.51 [.217]

THIS DRAWING IS A CONTROLLED DOCUMENT.

DIMENSIONS:  
mm [INCHES]

TOLERANCES UNLESS OTHERWISE SPECIFIED:

0 PLC	± -
1 PLC	± -
2 PLC	± 0.13 [.005]
3 PLC	± -
4 PLC	± -
ANGLES	± 2°
FINISH	-

MATERIAL  
4

DWN 05APR2002  
MICHAEL S. FEHER  
CHK 05APR2002  
GENE JACONO  
APVD 05APR2002  
KURT A. RANDOLPH  
PRODUCT SPEC  
APPLICATION SPEC  
114-13166  
WEIGHT -  
CUSTOMER DRAWING

**Tyco Electronics** Tyco Electronics Corporation  
Harrisburg, PA 17105-3608

NAME: TRIPLE BUSSED HIGH CARRIER SIAMEZE POCKET SPECIFICATION

SIZE: A2 CAGE CODE: 00779 DRAWING NO: 1601440 RESTRICTED TO: -

SCALE: 6:1 SHEET: 1 of 1 REV: B