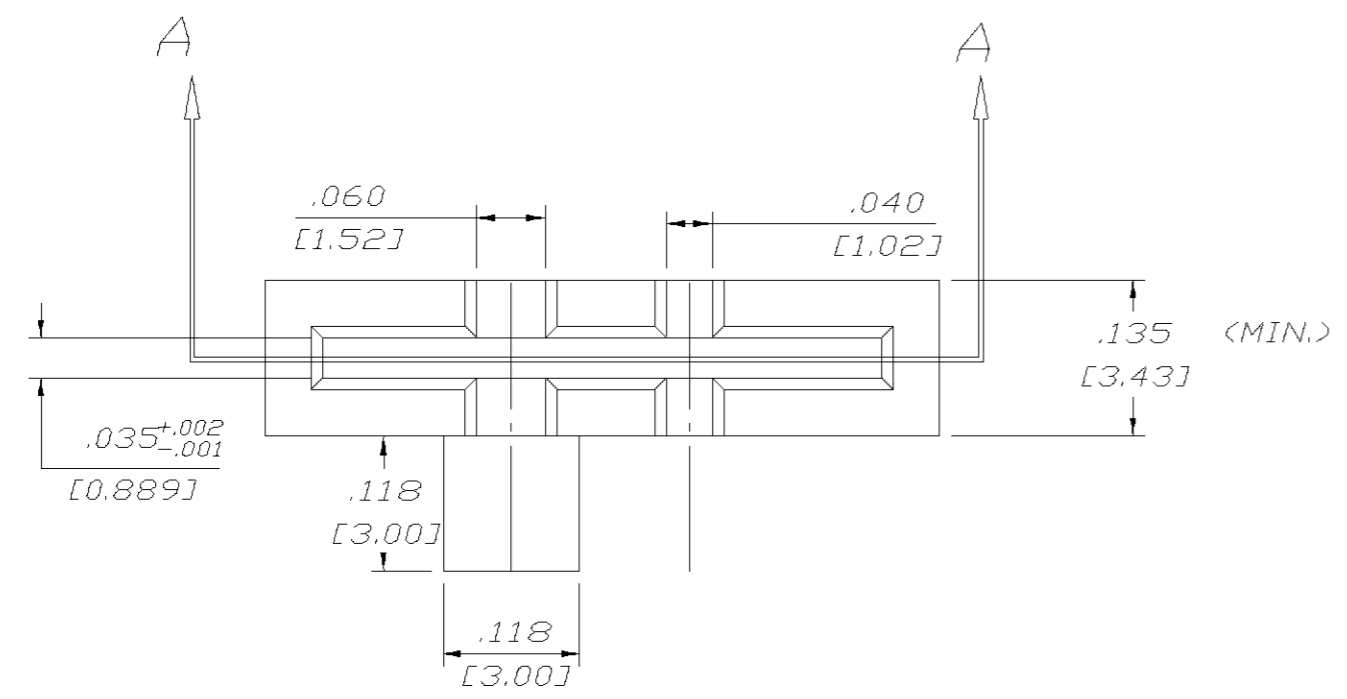
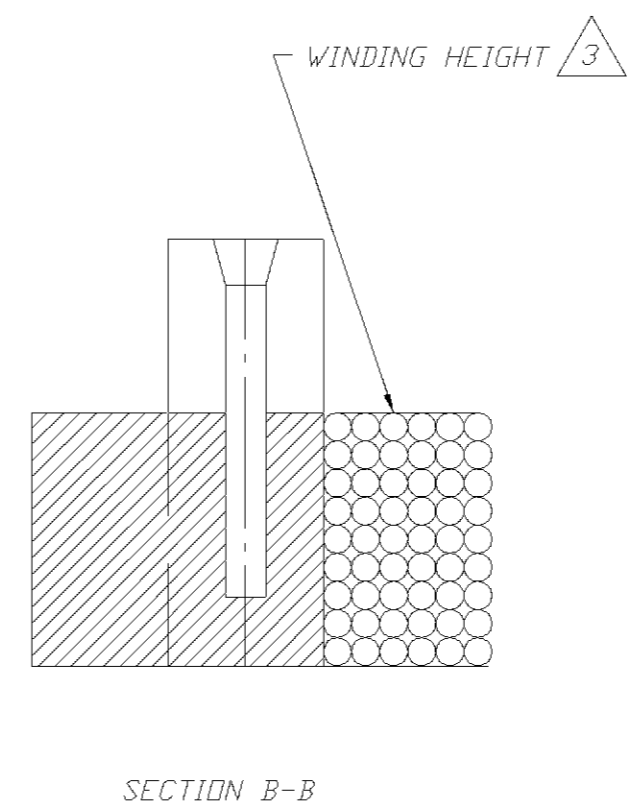
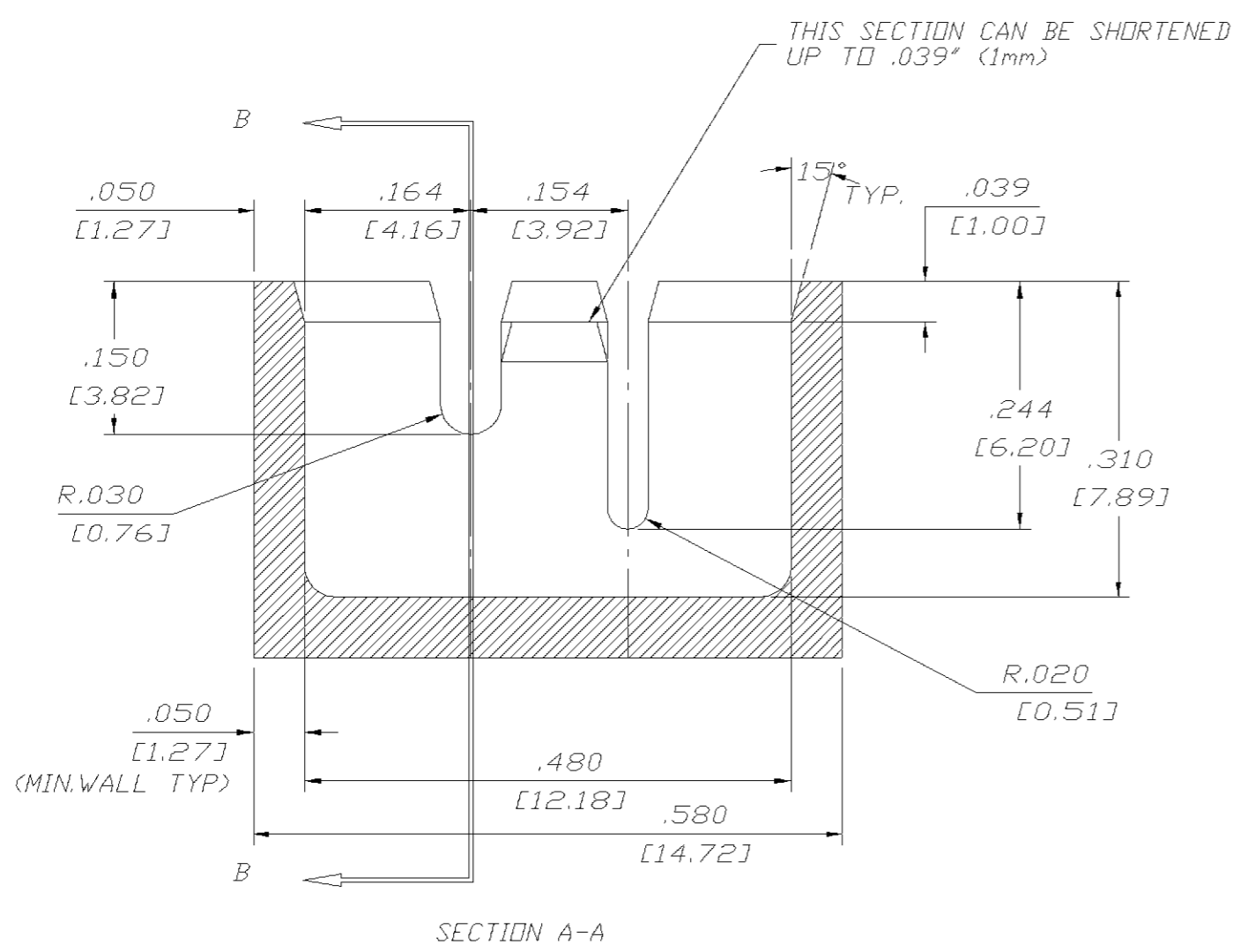


THIS DRAWING IS UNPUBLISHED. RELEASED FOR PUBLICATION
 © COPYRIGHT BY TYCO ELECTRONICS CORPORATION. ALL RIGHTS RESERVED.

LOC	DIST	REVISIONS			
P	LTR	DESCRIPTION	DATE	DWN	APVD
AF	50	0	TRANSFER TO TYCO FORMAT	05APR02	MF KR



- DO NOT TOOL WITHOUT TYCO ELECTRONICS REVIEW AND APPROVAL.
- DIMENSIONS ARE BASED ON THE FOLLOWING APPLICATION & RANGE:
 a) MAGNET WIRE: 15 TO 23 AWG.
 (.058 [1.47]-.022 [0.56])
 b) .032 [0.8] THICK BLADE TAB
- MAGNET WIRE COIL MUST NOT EXCEED HEIGHT OF MAGNET WIRE SLOT AS SHOWN.
- MATERIAL RECOMMENDED: NYLON 6/6
 OTHER MATERIALS ARE ACCEPTABLE HOWEVER, CONSULT TYCO ELECTRONICS FOR SPECIFICATIONS.



THIS DRAWING IS A CONTROLLED DOCUMENT.		DWN MICHAEL S. FEHER 05APR2002	tyco Tyco Electronics Corporation Harrisburg, PA 17105-3608	
DIMENSIONS: INCHES		CHK GENE JACONO 05APR2002	NAME KURT A. RANDOLPH	
TOLERANCES UNLESS OTHERWISE SPECIFIED:		APVD KURT A. RANDOLPH 05APR2002	PRODUCT SPEC MEDIUM DUTY / EDGE CONNECTOR SIAMEZE POCKET SPECIFICATION	
0 PLC ± - 1 PLC ± - [0.3] 2 PLC ± .01 [0.13] 3 PLC ± .005 [0.026] 4 PLC ± .0010 ANGLES ± 2'		APPLICATION SPEC 408-8629	SIZE A2	CAGE CODE 00779
MATERIAL 4		FINISH -	DRAWING NO. C=1601437	RESTRICTED TO -
CUSTOMER DRAWING			SCALE 6:1	SHEET 1 OF 1
			REV 0	