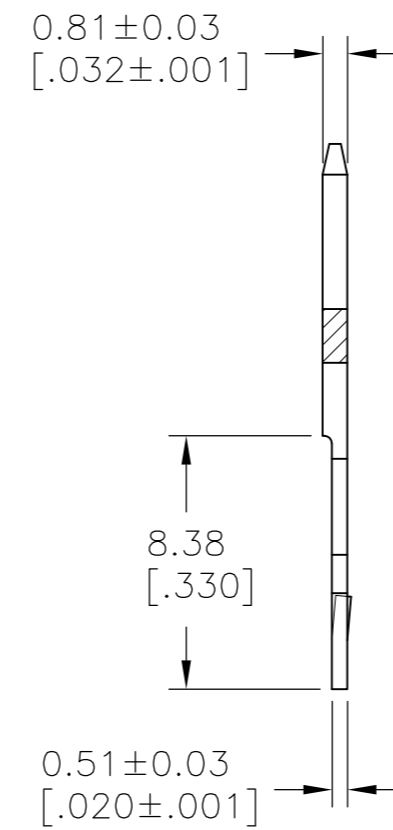
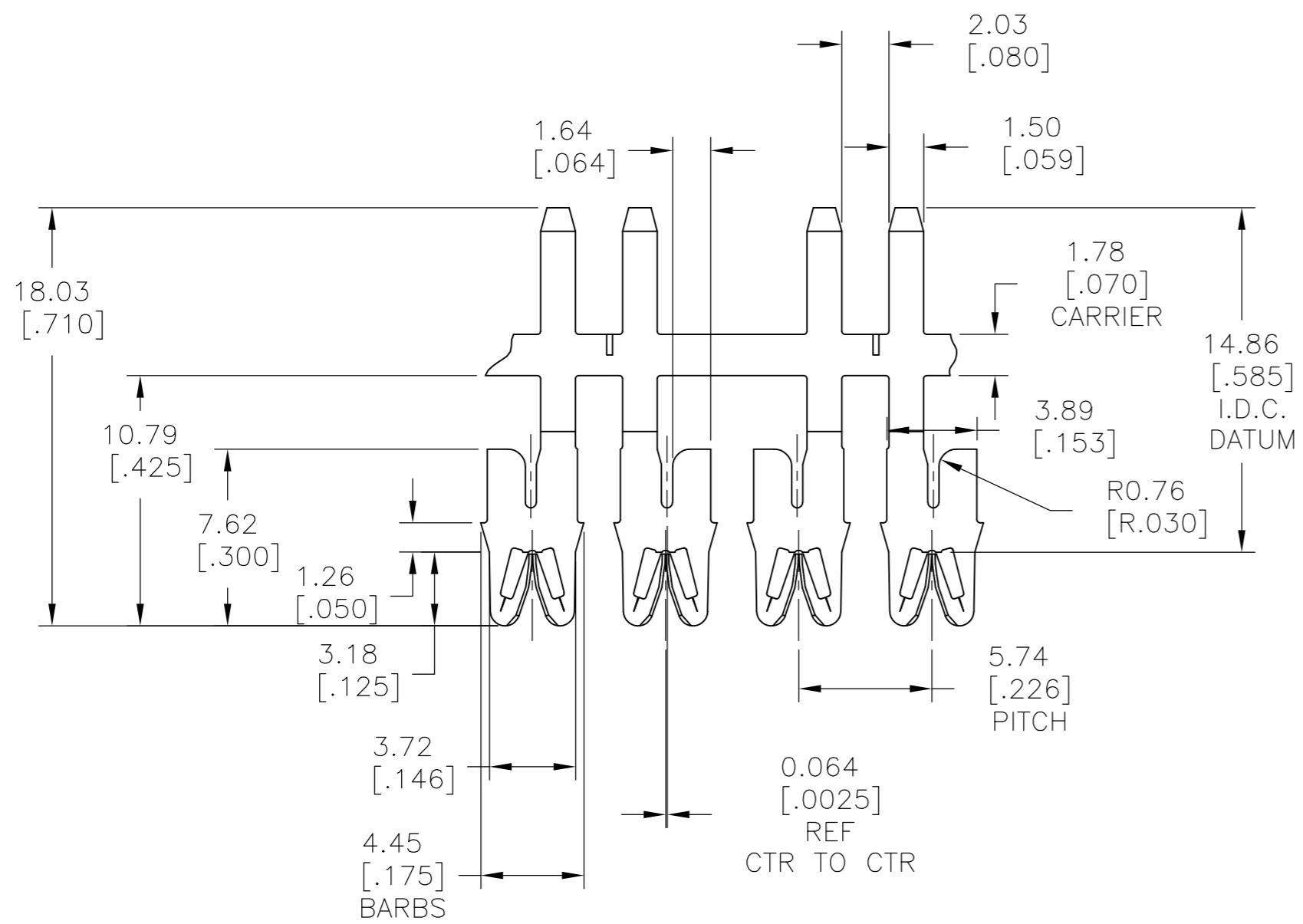
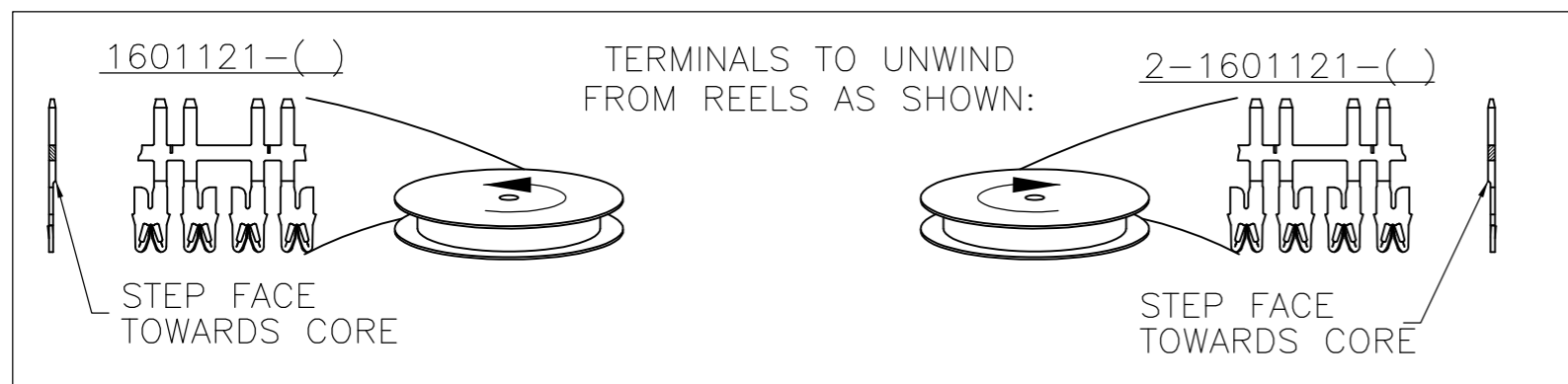
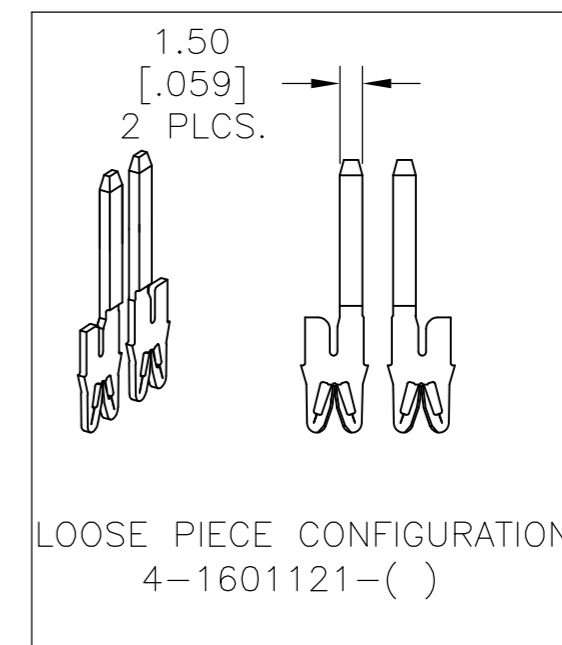


THIS DRAWING IS UNPUBLISHED. RELEASED FOR PUBLICATION
 © COPYRIGHT - By - ALL RIGHTS RESERVED.

LOC		DIST		REVISIONS			
P	LTR	DESCRIPTION		DATE	DWN	APVD	
AF	50	D3		REVISED PER ECR-13-006961	26APR13	KH	GJ



- SPECIFICATIONS:
 BOTTOM CONTACT
 MAGNET WIRE #27 - #35 AWG,
 0.14[.006]-0.38[.015] DIA COPPER.
 TOP CONTACT
 BARE SOLID COPPER WIRE: 0.6[.022]
 - PART No. 2-1601121-2 REPRESENTS A PAIR OF TERMINALS,
 ONE RIGHT HAND AND ONE LEFT HAND.
 TWO(2) TERMINALS SHOWN FOR ILLUSTRATION PURPOSES ONLY.
- 3 TERMINAL APPLICATION TO COMPLY WITH TYCO ELECTRONICS SPECIFICATION 114-13166 FIGURE 13



PRE TIN PLATE OVER COPPER UNDERPLATE		150-024-014	2-1601121-2
FINISH		REFERENCE PART NUMBER	TE PART NUMBER
THIS DRAWING IS A CONTROLLED DOCUMENT.			
DIMENSIONS: mm [INCHES] TOLERANCES UNLESS OTHERWISE SPECIFIED: 0 PLC ± - 1 PLC ± - 2 PLC ± 0.13[.005] 3 PLC ± - 4 PLC ± - ANGLES ± 2°		NAME: 1.50 X 0.81 OFFSET TAB PAIR SIAMEZE TERMINAL PRODUCT SPEC: 108-2244 APPLICATION SPEC: 3	
MATERIAL: FULL HARD BRASS PRE MILLED		WEIGHT: -	RESTRICTED TO: -
FINISH: SEE TABLE		SIZE: A2	SCALE: 4:1
CUSTOMER DRAWING		CAGE CODE: 00779	SHEET: 1 OF 1
		DRAWING NO: C=1601121	REV: D3