

THIS DRAWING IS UNPUBLISHED.

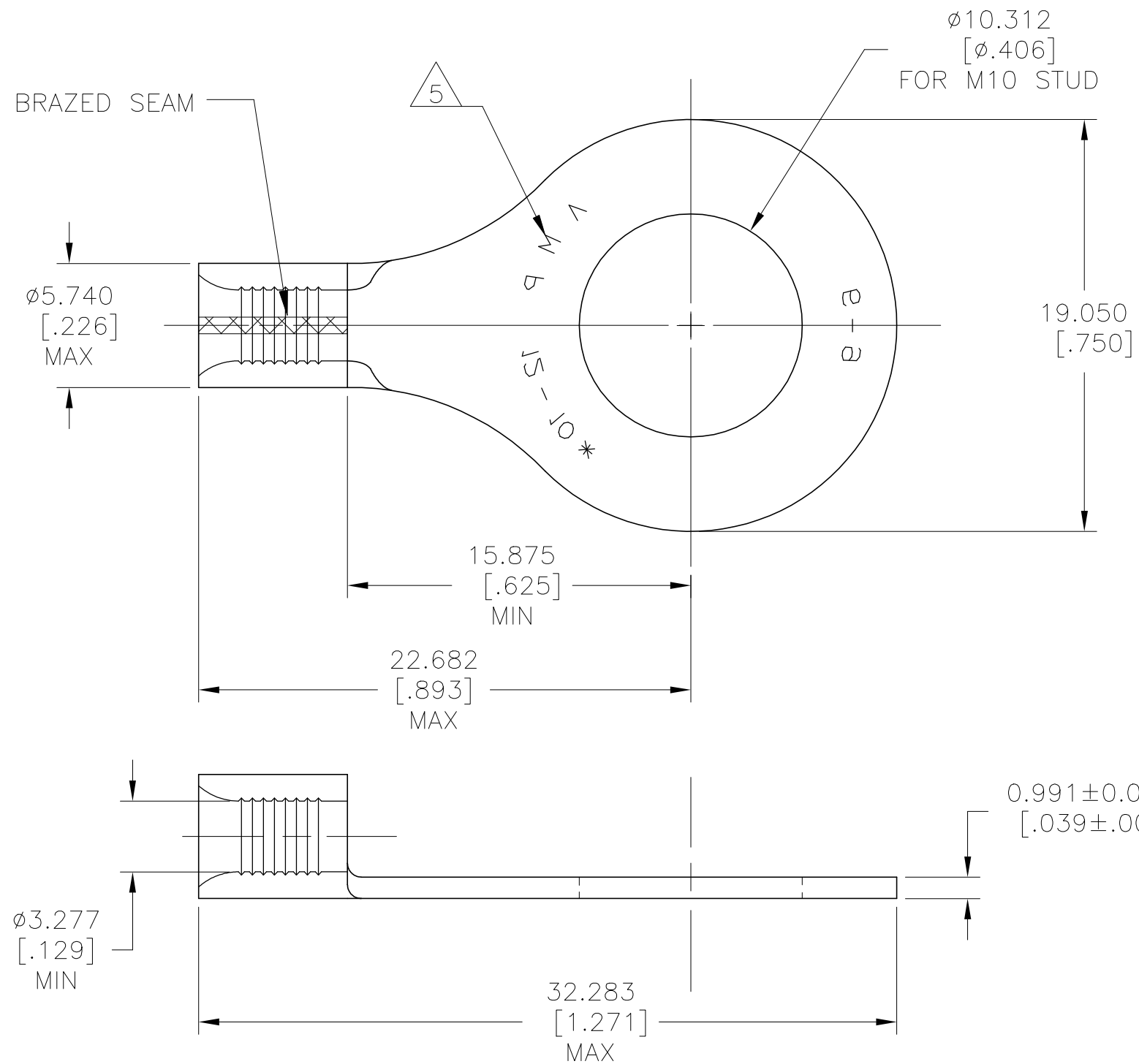
RELEASED FOR PUBLICATION

© COPYRIGHT - TE Connectivity Ltd.

ALL RIGHTS RESERVED.

REVISIONS

| P | LTR | DESCRIPTION | DATE | DWN | APVD |
|---|-----|---------------------------|-----------|-----|------|
| | A | DRAWN | 22MAR06 | JR | TM |
| | A1 | REVISED PER ECO-19-011565 | 10AUG2019 | RS | DR |



AMP
WIRE RANGE

12-10 AWG
SOLID OR STRANDED

E13288
Listed

12-10 AWG
SOLID OR STRANDED

- 1 NOTE DELETED
- 2 COPPER PER ASTM B-152, ANNEALED
- 3 TIN PLATED PER ASTM B-545, 0.00254[.000100] MIN THK.
- 4 NOTE DELETED
- 5 STAMP AS SHOWN

| | | |
|-----|--------------|---------|
| 500 | LOOSE PIECE | 160038 |
| QTY | PACKAGE TYPE | PART NO |

AMP INCORPORATED
CUSTOMER SERVICE SYSTEMS

THIS DRAWING IS A CONTROLLED DOCUMENT.

| | | |
|------|---------------|---------|
| DWN | jr_ruth | 22MAR06 |
| CHK | T MICHIELUTTI | 22MAR06 |
| APVD | T MICHIELUTTI | 22MAR06 |



| | | |
|--|--|--|
| FOR ADDITIONAL PRODUCT INFORMATION OR COPIES OF DRAWINGS AND TECHNICAL DOCUMENTS | PRODUCT INFORMATION CENTER 1-800-522-6752 | MAX RECOMMENDED OPERATING TEMPERATURE: 170°C [338°F] |
| FOR APPLICATION TOOLING INFORMATION | TOOLING ASSISTANCE CENTER 1-800-722-1111 | VOLTAGE RATING: N/A |
| FOR ORDER ENTRY | 1-800-526-5142 | WIRE CROSS SECTIONAL AREA RANGE, 2.62-6.64mm ² [5,180-13,100] SOLID OR STRANDED |

| | |
|----------------------------|--|
| DIMENSIONS: mm [INCHES] | TOLERANCES UNLESS OTHERWISE SPECIFIED: |
| | 0 PLC ± - |
| | 1 PLC ± - |
| | 2 PLC ± - |
| | 3 PLC ± 0.127[.005] |
| | 4 PLC ± - |
| | ANGLES ± - |
| MATERIAL | FINISH |
| | |

| | |
|------------------|-----------|
| PRODUCT SPEC | UL486 A-B |
| APPLICATION SPEC | - |
| WEIGHT | - |
| CUSTOMER DRAWING | |

| | | | | | | | |
|-----------|-----------|--------------|---------------|--|--|--|--|
| NAME | | | | WIRE TERMINAL, SOLISTRAND, RING TONGUE, WIRE SIZE 12-10, AWG | | | |
| SIZE | CAGE CODE | DRAWING NO | RESTRICTED TO | | | | |
| A3 | - | C=160038 | - | | | | |
| SCALE 4:1 | | SHEET 1 OF 1 | | REV A1 | | | |