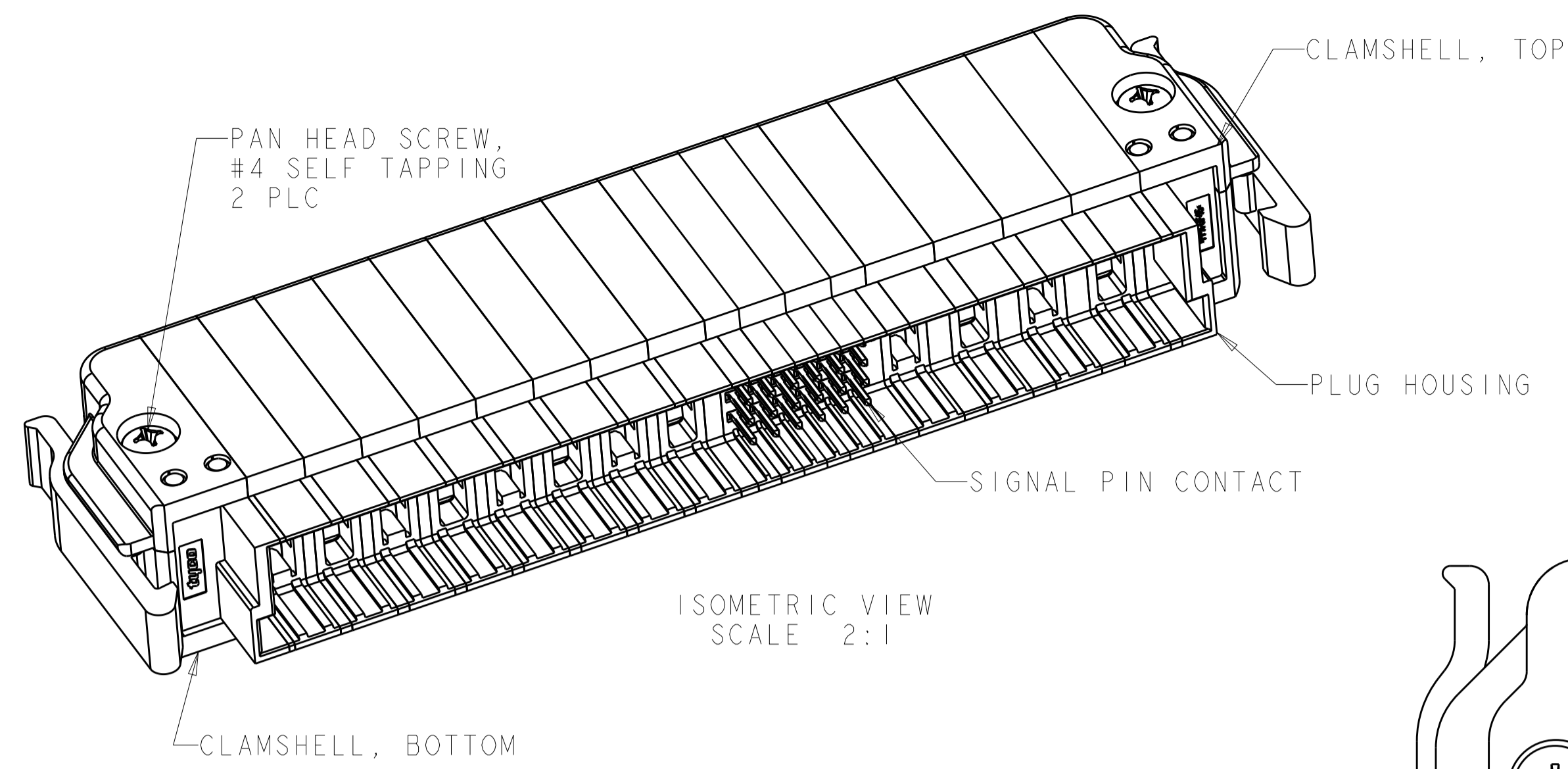
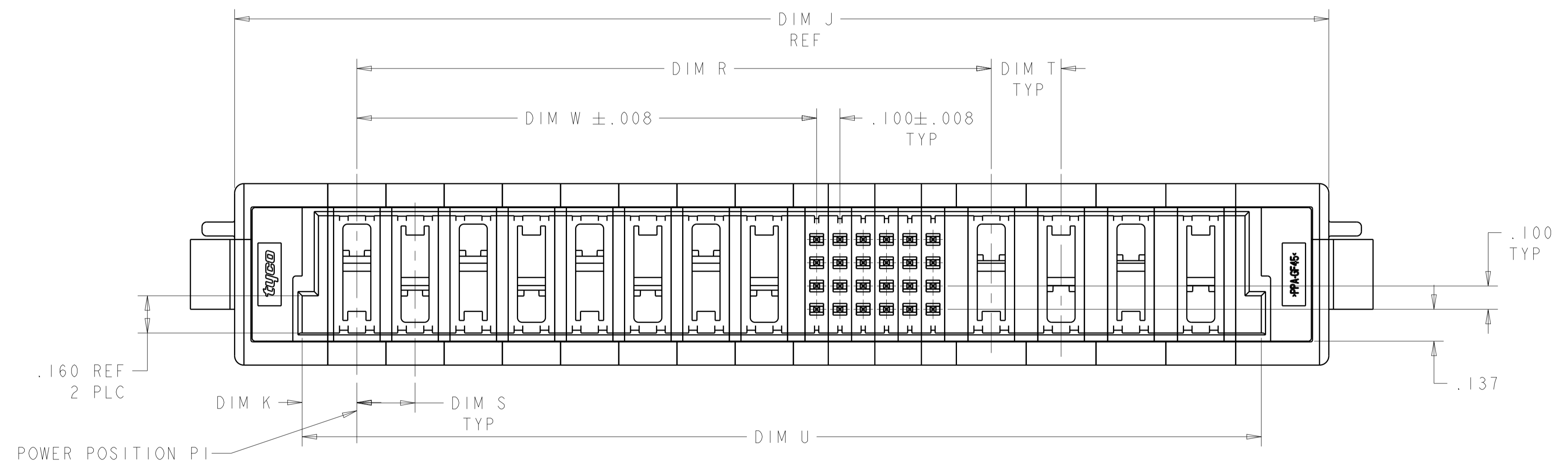
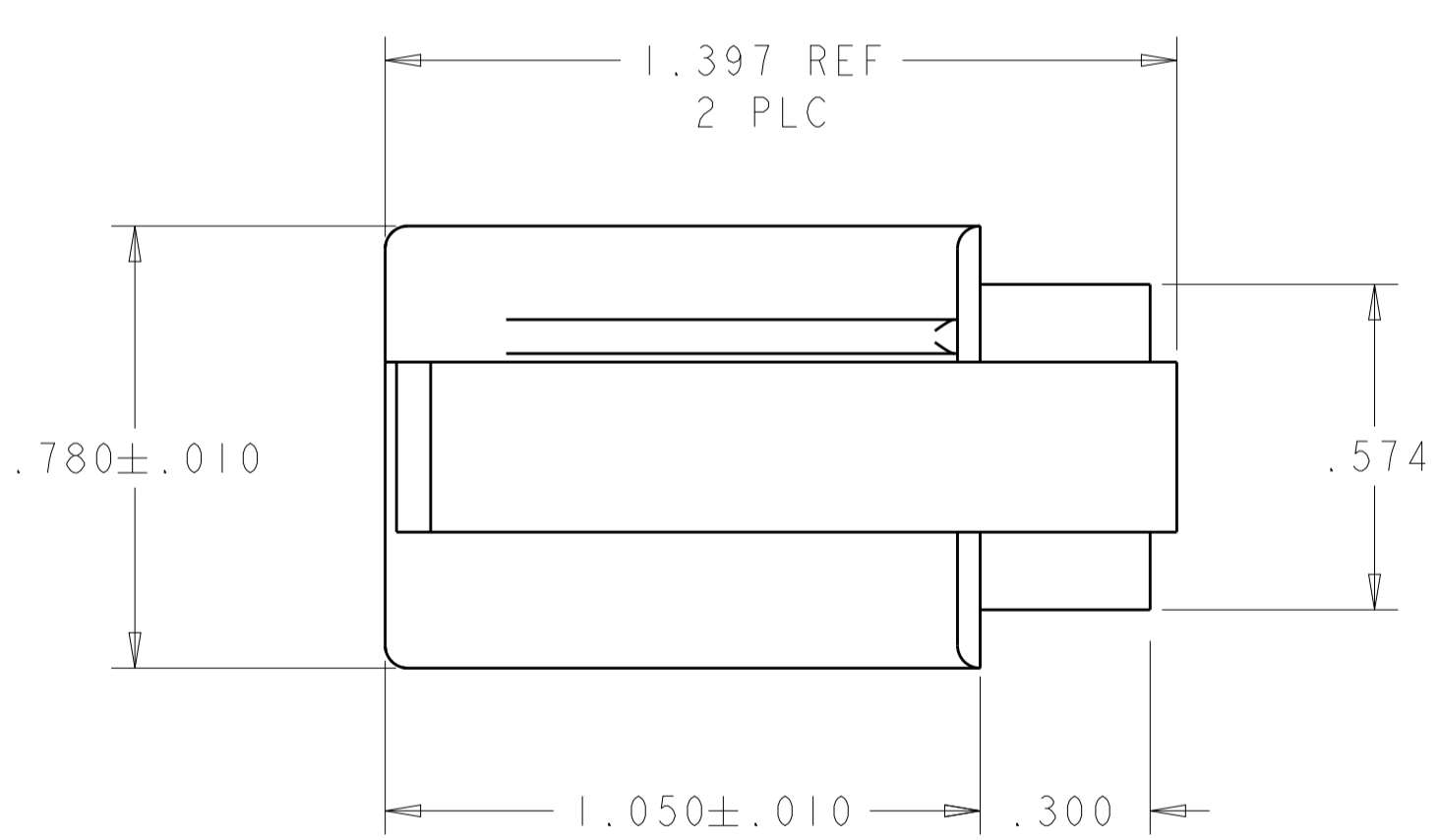
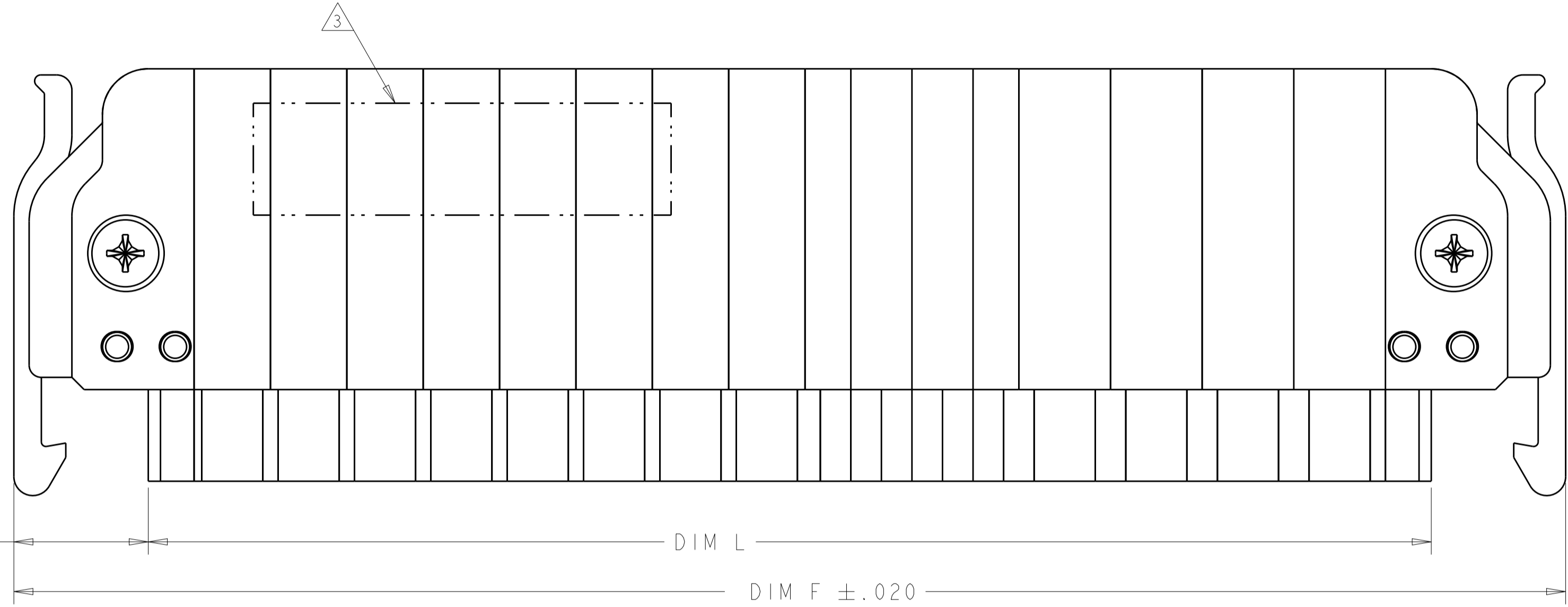


REVISIONS				
P.	LTN.	DESCRIPTION	DATE	OWN APVD
A4		REVISED PER REQEUST	23OCT2012	OL SZ
A6		REV PER ECR-13-014402	23AUG2013	CZ SZ



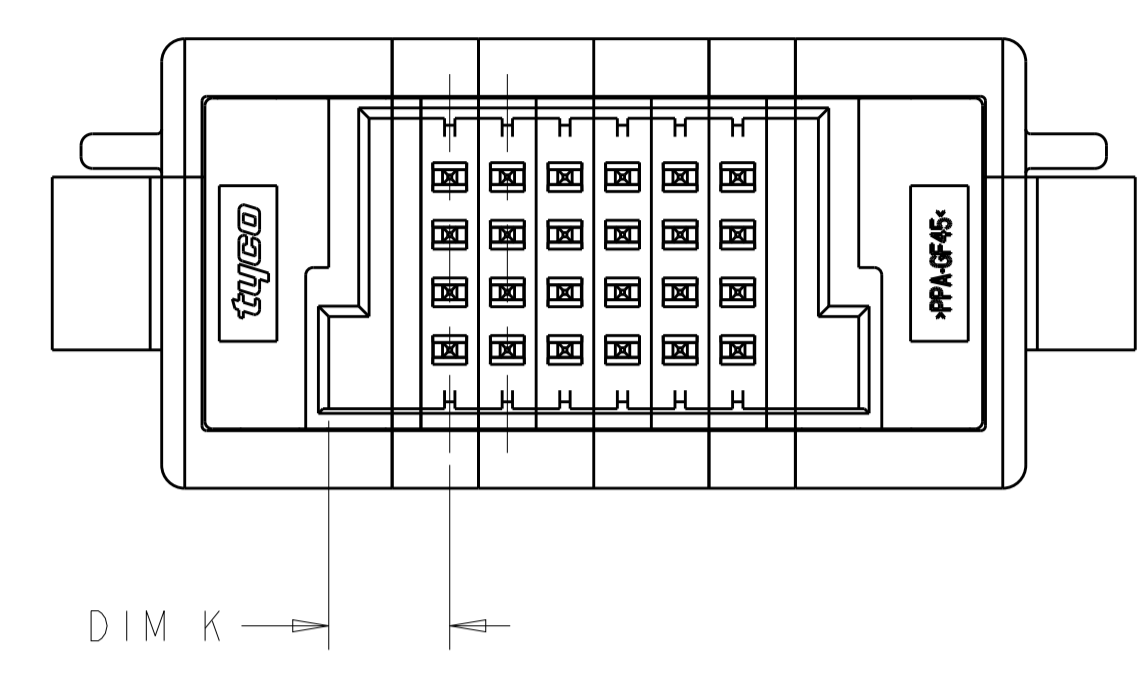
- △ CLAMSHELLS AND HEADER HOUSING: THERMO PLASTIC, UL94 V-0, CONTACTS: COPPER ALLOY; SCREWS: STEEL.
- △ CONTACTS: .000030 MIN GOLD IN MATING AREA, .000050 MIN TIN ON CRIMP AREAS, BOTH OVER .000050 MIN NICKEL. SCREWS: ZINC
- △ TYCO PART NUMBER AND DATE CODE MARKED IN AREA.
- △ DIM S IS CENTERLINE SPACING OF POWER MODULES ON LEFT SIDE OF CONNECTOR.
- △ DIM T IS CENTERLINE SPACING OF POWER MODULES ON RIGHT SIDE OF CONNECTOR.
- △ OTHER DIMENSIONS SEE SHEET 2



THIS DRAWING IS A CONTROLLED DOCUMENT.		OWN: D. RINGLER 25JAN2005	TE Connectivity
DIMENSIONS: INCHES		CHK: D. TROUT 27JAN2005	
TOLERANCES UNLESS OTHERWISE SPECIFIED:		APVD: P. WHYNE 28JAN2005	NAME: SQUEEZE TO RELEASE CABLE PLUG, WITH KEYS, TYPE PSP MULTI-BEAM XL
0 PLC ±	1 PLC ±	PRODUCT SPEC: 108-2157-1	SIZE: A1
2 PLC ±0.02	3 PLC ±0.005	APPLICATION SPEC: 114-13164	CAGE CODE: 1600238
4 PLC ±	ANGLES ±	WEIGHT: -	RESTRICTED TO: -
MATERIAL: △1	FINISH: △2	Customer Drawing	SCALE: 3:1 SHEET 1 OF 3 REV: A6

REVISIONS				
P.	LTN	DESCRIPTION	DATE	APVD
-	-	SEE SHEET 1	-	-

FOR CONFIGURATION ONLY WITH SIGNAL



A5

2.000	1.500	1.420	-	-	.950	.225	2.380	.235	1P(10AWG) + 24S + 1P(10AWG)	1-1600238-3
3.100	2.600	2.520	.250	.250	1.800	.475	3.480	.235	2P(12AWG) + 48S + 2P(12AWG)	1-1600238-2
1.700	1.200	1.120	-	-	.700	.200	2.080	.210	1HDP(14AWG) + 16S + 1HDP(14AWG)	1-1600238-1
1.500	1.000	.920	-	-	-	-	1.880	.210	24S	1-1600238-0
2.100	1.600	1.520	.200	.200	.900	.400	2.480	.210	2HDP(14AWG) + 16S + 2HDP(14AWG)	1600238-9
1.500	1.000	.920	-	-	.500	.200	1.880	.210	1HDP(14AWG) + 8S + 1HDP(14AWG)	1600238-8
3.600	3.100	3.020	.250	.250	1.550	1.225	3.980	.235	5P(10AWG) + 8S + 5P(10AWG)	1600238-7
3.300	2.800	2.720	.300	.300	1.600	.850	3.680	.260	3ACP(8AWG) + 24S + 3ACP(8AWG)	1600238-6
2.500	2.000	1.920	.250	.250	1.200	.475	2.880	.235	2P(10AWG) + 24S + 2P(10AWG)	1600238-5
1.800	1.300	1.220	-	-	.750	.225	2.180	.235	1P(10AWG) + 16S + 1P(10AWG)	1600238-4
2.000	1.500	1.420	-	-	.950	.225	2.380	.235	1P(10AWG) + 24S + 1P(10AWG)	1600238-3
4.700	4.200	4.120	.250	.300	2.725	1.975	5.080	.235	8P(12AWG) + 24S + 4ACP(8AWG)	1600238-2
4.700	4.200	4.120	.250	.300	2.725	1.975	5.080	.235	8P(10AWG) + 24S + 4ACP(8AWG)	1600238-1
DIM J	DIM L	DIM U	DIM S \triangle 4	DIM T \triangle 5	DIM R	DIM W	DIM F	DIM K	DESCRIPTION	PART NUMBER

THIS DRAWING IS A CONTROLLED DOCUMENT.		DWN D. RINGLER 25JAN2005															
DIMENSIONS: INCHES		CHK D. TROUT 27JAN2005															
TOLERANCES UNLESS OTHERWISE SPECIFIED:		APVD P. WILYNE 28JAN2005	NAME SQUEEZE TO RELEASE CABLE PLUG, WITH KEYS, TYPE PSP MULTI-BEAM XL														
<table border="1"> <tr> <td>0 PLC</td> <td>±</td> </tr> <tr> <td>1 PLC</td> <td>±</td> </tr> <tr> <td>2 PLC</td> <td>±0.02</td> </tr> <tr> <td>3 PLC</td> <td>±0.005</td> </tr> <tr> <td>4 PLC</td> <td>±</td> </tr> <tr> <td>ANGLES</td> <td>±</td> </tr> <tr> <td>FINISH</td> <td>±</td> </tr> </table>		0 PLC	±	1 PLC	±	2 PLC	±0.02	3 PLC	±0.005	4 PLC	±	ANGLES	±	FINISH	±	PRODUCT SPEC 108-2157-1	RESTRICTED TO
0 PLC	±																
1 PLC	±																
2 PLC	±0.02																
3 PLC	±0.005																
4 PLC	±																
ANGLES	±																
FINISH	±																
MATERIAL		APPLICATION SPEC 114-13164	SIZE A100779														
WEIGHT		WEIGHT	CAGE CODE DRAWING NO 1600238														
Customer Drawing		SCALE 3:1	SHEET 2 OF 3														
		REV A6															

REVISIONS				
P.	LTN	DESCRIPTION	DATE	APP'D
-	-	SEE SHEET 1	-	-

PART NUMBER	ROWS	POWER								SIGNAL						POWER			
		P1	P2	P3	P4	P5	P6	P7	P8	1	2	3	4	5	6	P9	P10	P11	P12
1600238-1	D	CP	CP	CP	CP	CP	CP	CP	CP	CV	CV	CV	CV	CV	CV	CP	CP	CP	CP
	C									CV	CV	CV	CV	CV	CV				
	B									CV	CV	CV	CV	CV	CV				
	A									CV	CV	CV	CV	CV	CV				

8P(10AWG) + 24S + 4ACP(8AWG)

PART NUMBER	ROWS	POWER		SIGNAL				POWER	
		P1	P2	1	2	3	4	P3	P4
1600238-9	D	CP	CP	CT	CT	CT	CT	CP	CP
	C			CT	CT	CT	CT		
	B			CT	CT	CT	CT		
	A			CT	CT	CT	CT		

2HDP(14AWG) + 16S + 2HDP(14AWG)

PART NUMBER	ROWS	POWER								SIGNAL						POWER			
		P1	P2	P3	P4	P5	P6	P7	P8	1	2	3	4	5	6	P9	P10	P11	P12
1600238-2	D	CP	CP	CP	CP	CP	CP	CP	CP	CV	CV	CV	CV	CV	CV	CP	CP	CP	CP
	C									CV	CV	CV	CV	CV	CV				
	B									CV	CV	CV	CV	CV	CV				
	A									CV	CV	CV	CV	CV	CV				

8P(12AWG) + 24S + 4ACP(8AWG)

PART NUMBER	ROWS	SIGNAL					
		1	2	3	4	5	6
1-1600238-0	D	CT	CT	CT	CT	CT	CT
	C	CT	CT	CT	CT	CT	CT
	B	CT	CT	CT	CT	CT	CT
	A	CT	CT	CT	CT	CT	CT

24S

PART NUMBER	ROWS	POWER	SIGNAL						POWER
		P1	1	2	3	4	5	6	P2
1600238-3	D	CP	CT	CT	CT	CT	CT	CT	CP
	C		CT	CT	CT	CT	CT	CT	
	B		CT	CT	CT	CT	CT	CT	
	A		CT	CT	CT	CT	CT	CT	

1P(10AWG) + 24S + 1P(10AWG)

PART NUMBER	ROWS	POWER	SIGNAL				POWER
		P1	1	2	3	4	P2
1-1600238-1	D	CP	CT	CT	CT	CT	CP
	C		CT	CT	CT	CT	
	B		CT	CT	CT	CT	
	A		CT	CT	CT	CT	

1HDP(14AWG) + 16S + 1HDP(14AWG)

PART NUMBER	ROWS	POWER	SIGNAL				POWER
		P1	1	2	3	4	P2
1600238-4	D	CP	CT	CT	CT	CT	CP
	C		CT	CT	CT	CT	
	B		CT	CT	CT	CT	
	A		CT	CT	CT	CT	

1P(10AWG) + 16S + 1P(10AWG)

PART NUMBER	ROWS	POWER		SIGNAL												POWER			
		P1	P2	1	2	3	4	5	6	7	8	9	10	11	12	P3	P4		
1-1600238-2	D	CP	CP	CT	CT	CT	CT	CT	CT	CT	CT	CT	CT	CT	CT	CT	CT	CP	CP
	C			CT	CT	CT	CT	CT	CT	CT	CT	CT	CT	CT	CT	CT	CT		
	B			CT	CT	CT	CT	CT	CT	CT	CT	CT	CT	CT	CT	CT	CT		
	A			CT	CT	CT	CT	CT	CT	CT	CT	CT	CT	CT	CT	CT	CT		

2P(12AWG) + 48S + 2P(12AWG)

PART NUMBER	ROWS	POWER		SIGNAL						POWER	
		P1	P2	1	2	3	4	5	6	P3	P4
1600238-5	D	CP	CP	CT	CT	CT	CT	CT	CT	CP	CP
	C			CT	CT	CT	CT	CT	CT		
	B			CT	CT	CT	CT	CT	CT		
	A			CT	CT	CT	CT	CT	CT		

2P(10AWG) + 24S + 2P(10AWG)

PART NUMBER	ROWS	POWER	SIGNAL						POWER
		P1	1	2	3	4	5	6	P2
1-1600238-3	D	CP	CT	CT	CT	CT	CT	CT	CP
	C		CT	CT	CT	CT	CT	CT	
	B		CT	CT	CT	CT	CT	CT	
	A		CT	CT	CT	CT	CT	CT	

1P(10AWG) + 24S + 1P(10AWG)

PART NUMBER	ROWS	POWER			SIGNAL						POWER		
		P1	P2	P3	1	2	3	4	5	6	P4	P5	P6
1600238-6	D	CP	CP	CP	CT	CT	CT	CT	CT	CT	CP	CP	CP
	C				CT	CT	CT	CT	CT	CT			
	B				CT	CT	CT	CT	CT	CT			
	A				CT	CT	CT	CT	CT	CT			

3ACP(8AWG) + 24S + 3ACP(8AWG)

NO CONTACTS LOADED


PART NUMBER	ROWS	POWER					SIGNAL		POWER				
		P1	P2	P3	P4	P5	1	2	P6	P7	P8	P9	P10
1600238-7	D	CP	CP	CP	CP	CP	CT	CT	CP	CP	CP	CP	CP
	C						CT	CT					
	B						CT	CT					
	A						CT	CT					

5P(10AWG) + 8S + 5P(10AWG)

PART NUMBER	ROWS	POWER	SIGNAL		POWER
		P1	1	2	P2
1600238-8	D	CP	CT	CT	CP
	C		CT	CT	
	B		CT	CT	
	A		CT	CT	

1HDP(14AWG) + 8S + 1HDP(14AWG)

MLBF	SIGNAL CONTACT	CV
STANDARD	SIGNAL CONTACT	CT
-	POWER CONTACT	CP
MATING SEQUENCE	DESCRIPTION	IDENTIFIER

THIS DRAWING IS A CONTROLLED DOCUMENT.		OWN: D. RINGLER 25JAN2005	 TE Connectivity
DIMENSIONS: INCHES		CHK: D. TROUT 27JAN2005	
TOLERANCES UNLESS OTHERWISE SPECIFIED:		APP'D: B. MLYNE 28JAN2005	
0 PLC ± 1 PLC ± 2 PLC ±0.02 3 PLC ±0.005 4 PLC ± ANGLES ±		NAME: SQUEEZE TO RELEASE CABLE PLUG, WITH KEYS, TYPE PSP MULTI-BEAM XL PRODUCT SPEC: 108-2157-1 APPLICATION SPEC: 114-13164 WEIGHT: - RESTRICTED TO: -	
MATERIAL: -	FINISH: -	SCALE: 1:1	SHEET 3 OF 3 REV A6 Customer Drawing