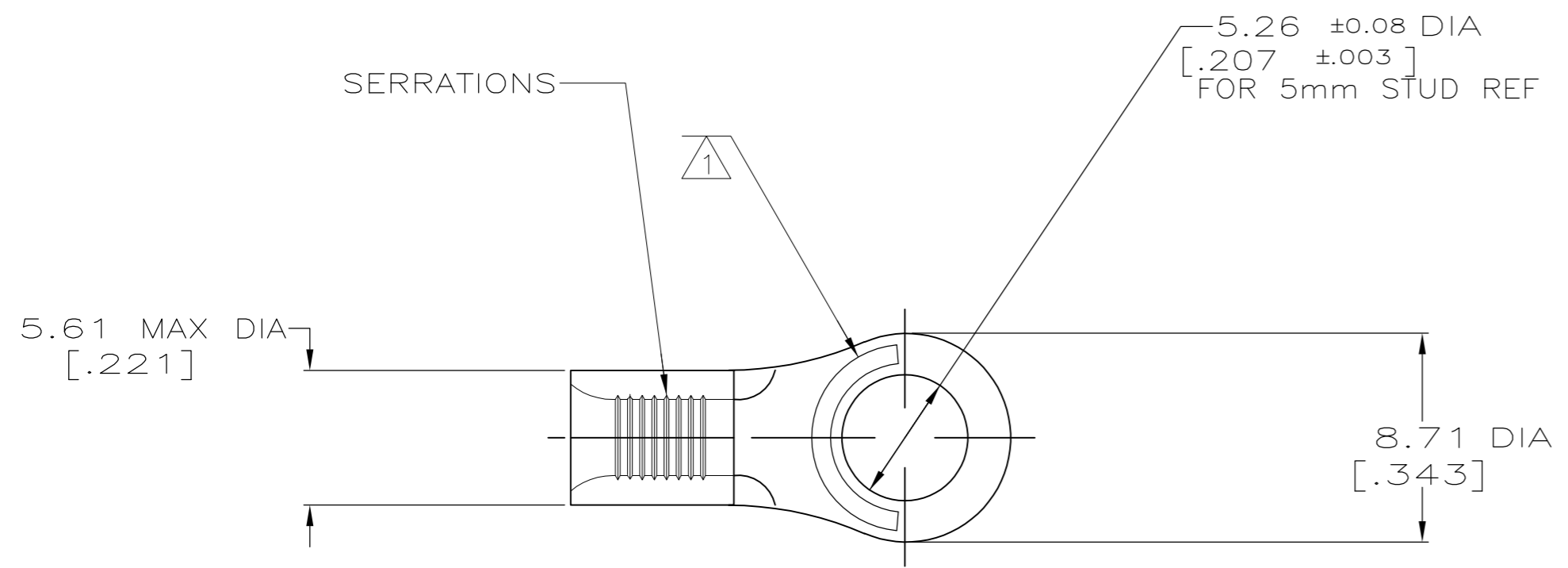


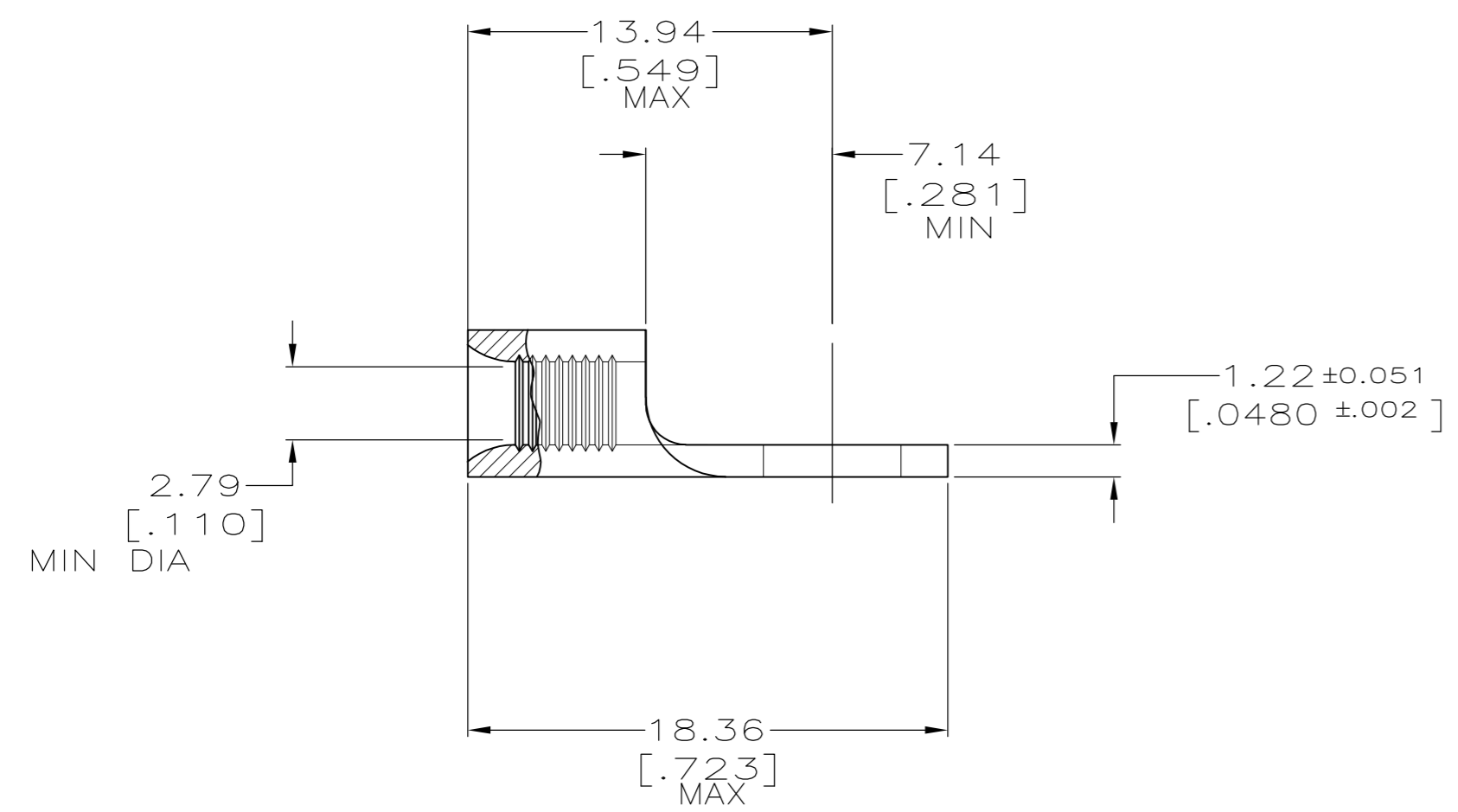
THIS DRAWING IS UNPUBLISHED. RELEASED FOR PUBLICATION
 © COPYRIGHT BY TYCO ELECTRONICS CORPORATION. ALL INTERNATIONAL RIGHTS RESERVED.

LOC	DIST	REVISIONS					
		P	LTR	DESCRIPTION	DATE	DWN	APVD
G	14	0		REV & REDRAWN PER G-5651	04/24/92	DKS	DA



AMP WIRE RANGE	Listed FILE E13288	LR7189 Certified
16-14 AWG STRANDED	16-14 AWG STRANDED	NOT CERTIFIED

- 1 STAMP AMP 16-14HD* APPROX AS SHOWN
- 2 TIN PLATE 0.00380 [.000150] MIN THK PER ASTM B-545



160012
PART NO.

AMP INCORPORATED CUSTOMER SERVICE SYSTEMS	
FOR ADDITIONAL PRODUCT INFORMATION OR COPIES OF DRAWINGS AND TECHNICAL DOCUMENTS	PRODUCT INFORMATION CENTER 1-800-522-6752
FOR APPLICATION TOOLING INFORMATION	TOOLING ASSISTANCE CENTER 1-800-722-1111
FOR ORDER ENTRY	1-800-526-5142

MAX RECOMMENDED OPERATING TEMPERATURE: 170°C MAX
VOLTAGE RATING: N/A
CIRCULAR MIL AREA: 1.04-2.62mm² [2,050-5,180] STRANDED

THIS DRAWING IS A CONTROLLED DOCUMENT.	
DIMENSIONS: MM [INCHES]	TOLERANCES UNLESS OTHERWISE SPECIFIED:
	0 PLC ± -
	1 PLC ± -
	2 PLC ± 0.20[.008]
	3 PLC ± -
	4 PLC ± -
	ANGLES ± -
MATERIAL COPPER PER ASTM B-152	FINISH - 2

DWN DK SCHRUM 4/24/92	04/24/92	Tyco Electronics Corporation Harrisburg, PA 17105-3608
CHK DA PATTERSON 4/24/92		
APVD DA PATTERSON 4/24/92		
PRODUCT SPEC UL - 486 A		
APPLICATION SPEC NOT AVAILABLE		NAME TERMINAL BODY, RING TONGUE
WEIGHT -	SIZE A2	CAGE CODE 00779
CUSTOMER DRAWING	DRAWING NO C=160012	RESTRICTED TO -
SCALE 4:1	SHEET 1 of 1	REV 0