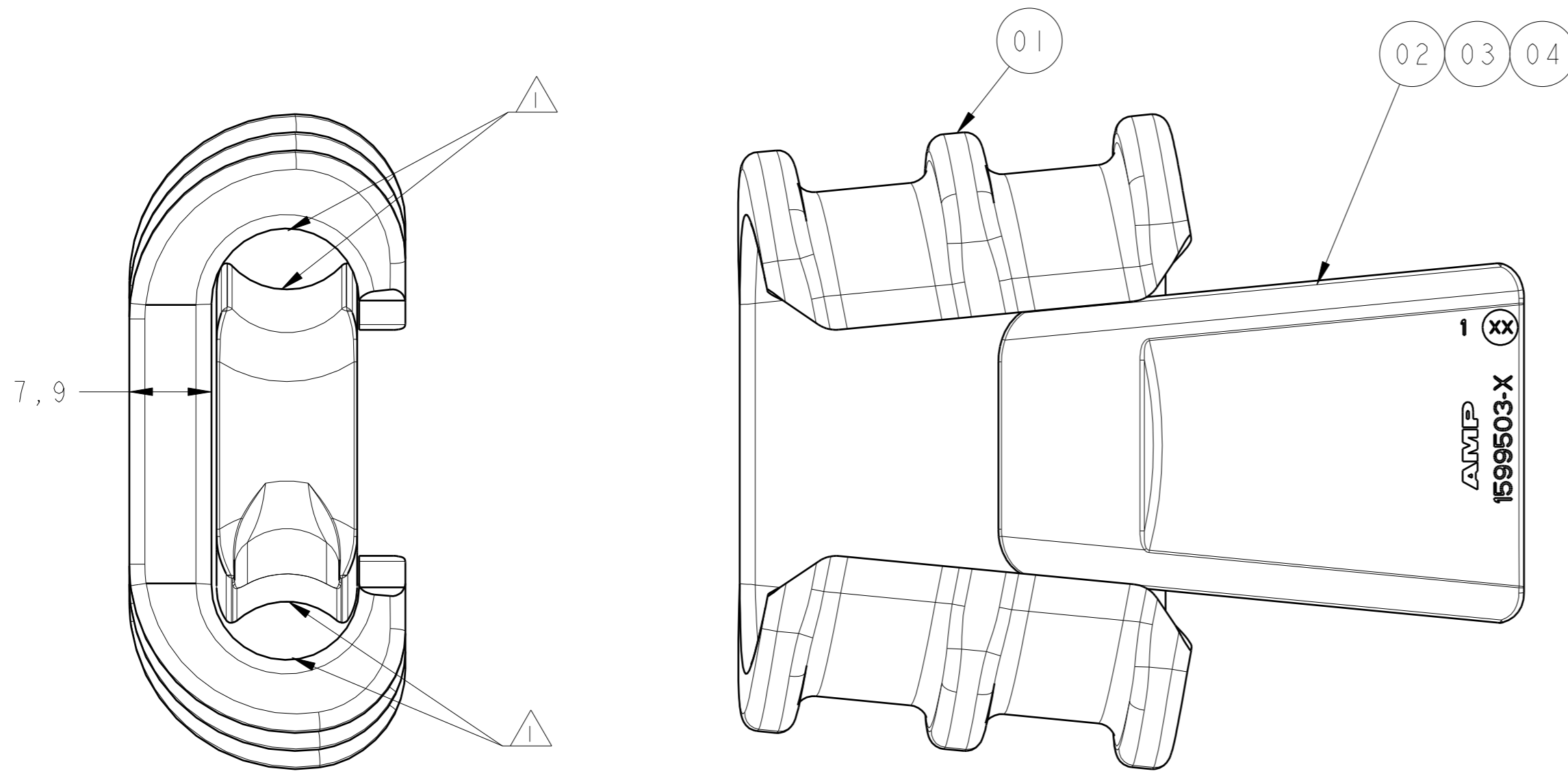


LOC	DIST	REVISIONS			
P	LTR	DESCRIPTION	DATE	DWN	APVD
0		RELEASED	23NOV2005	VF	JAL
A		ECO-08-020033	18SEP2008	GO	WB

CAD
DO NOT REVISE
EXCEPT BY CAD



1 - SYNTHETIC INHIBITOR IN BOTH SIDES "C" MEMBER AND WEDGE MEMBER.

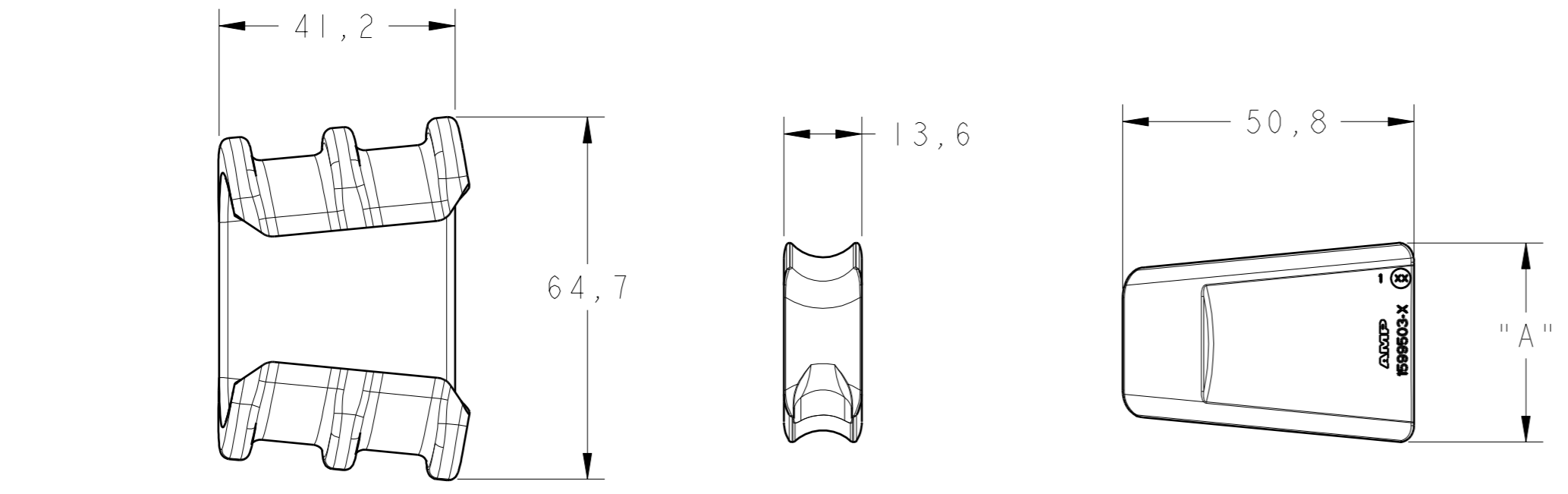
2 - APPLICABLE CABLE RANGE:

SUM OF DIA.		RUN WIRE		TAP WIRE		PART NUMBER
MAX.	MIN.	MAX.	MIN.	MAX.	MIN.	
17,18	13,36	14,53	8,23	7,60	4,11	1599789-1
21,46	16,67	14,53	8,23	11,79	4,11	1599789-2
25,66	20,67	14,53	9,25	14,53	6,55	1599789-3
28,70	24,86	14,53	9,25	14,53	9,25	1599789-4

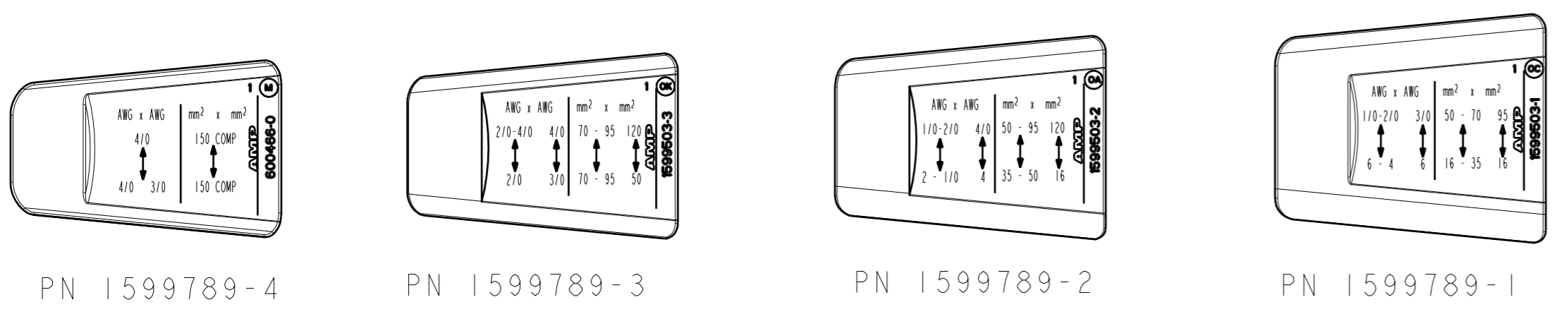
1 - INIBIDOR SINTÉTICO EM AMBOS OS LADOS DO COMPONENTE "C" E DO COMPONENTE CUNHA.

2 - FAIXA APLICÁVEL DE CABOS:

SOMA DOS DIÂMETROS		CONDUTOR PRINCIPAL		CONDUTOR DERIVAÇÃO		PART NUMBER
MAX.	MIN.	MAX.	MIN.	MAX.	MIN.	
17,18	13,36	14,53	8,23	7,60	4,11	1599789-1
21,46	16,67	14,53	8,23	11,79	4,11	1599789-2
25,66	20,67	14,53	9,25	14,53	6,55	1599789-3
28,70	24,86	14,53	9,25	14,53	9,25	1599789-4



ENGRAVING



1	-	-	-	5	32,5	ALUMINUM ALLOY	WEDGE MEMBER
-	1	-	-	4	34,3	ALUMINUM ALLOY	WEDGE MEMBER
-	-	1	-	3	37,6	ALUMINUM ALLOY	WEDGE MEMBER
-	-	-	1	2	42,3	ALUMINUM ALLOY	WEDGE MEMBER
1	1	1	1	1	—	ALUMINUM ALLOY	"C" MEMBER
-4	-3	-2	-1				
REQ. PER ASS'Y				ITEM	"A"	MATERIAL	DESCRIPTION
1599789							

THIS DRAWING IS A CONTROLLED DOCUMENT FOR TYCO ELECTRONICS CORPORATION. IT IS SUBJECT TO CHANGE AND THE CONTROLLING ENGINEERING ORGANIZATION SHOULD BE CONTACTED FOR THE LATEST REVISION.

DWN: V. FUZZI 23NOV2005
 CHK: L. O. M. BORELLI 23NOV2005
 APVD: J. A. A. SALVIA 23NOV2005

TYCO ELECTRONICS do Brasil LTDA. Sao Paulo, Brasil

NAME: MEDIUM I ECONECT ASS'Y

PRODUCT SPEC: 108-37074-1
 APPLICATION SPEC: 411-37044-1

WEIGHT: -

CUSTOMER DRAWING

SCALE: - SHEET 1 OF 1 REV A

RESTRICTED TO: -