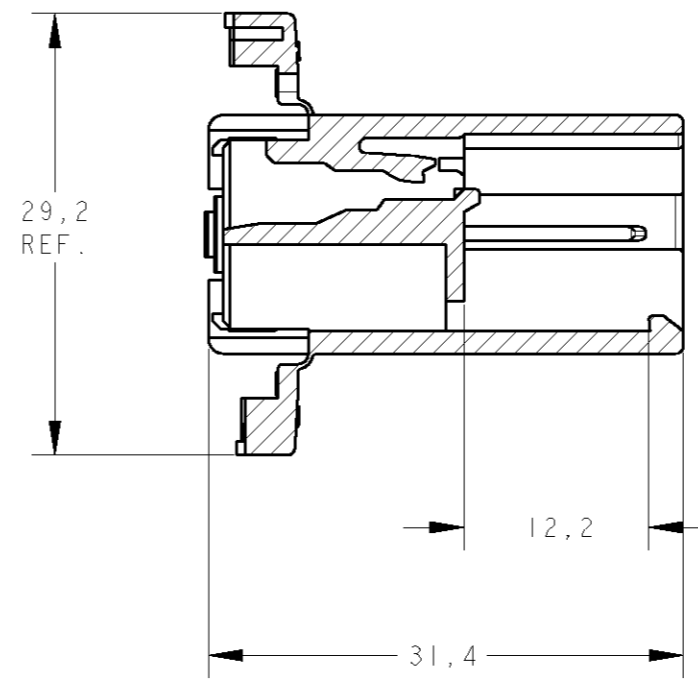
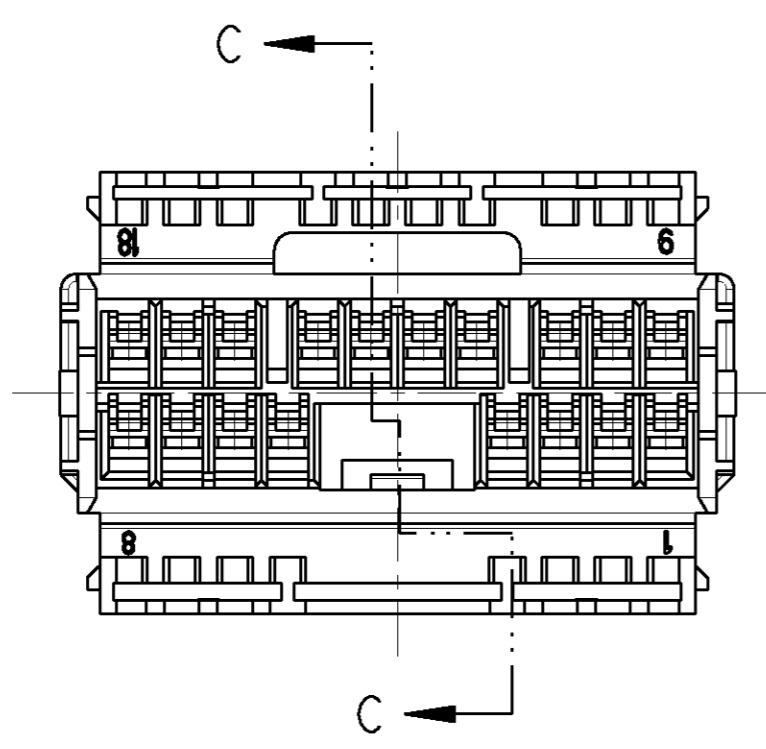


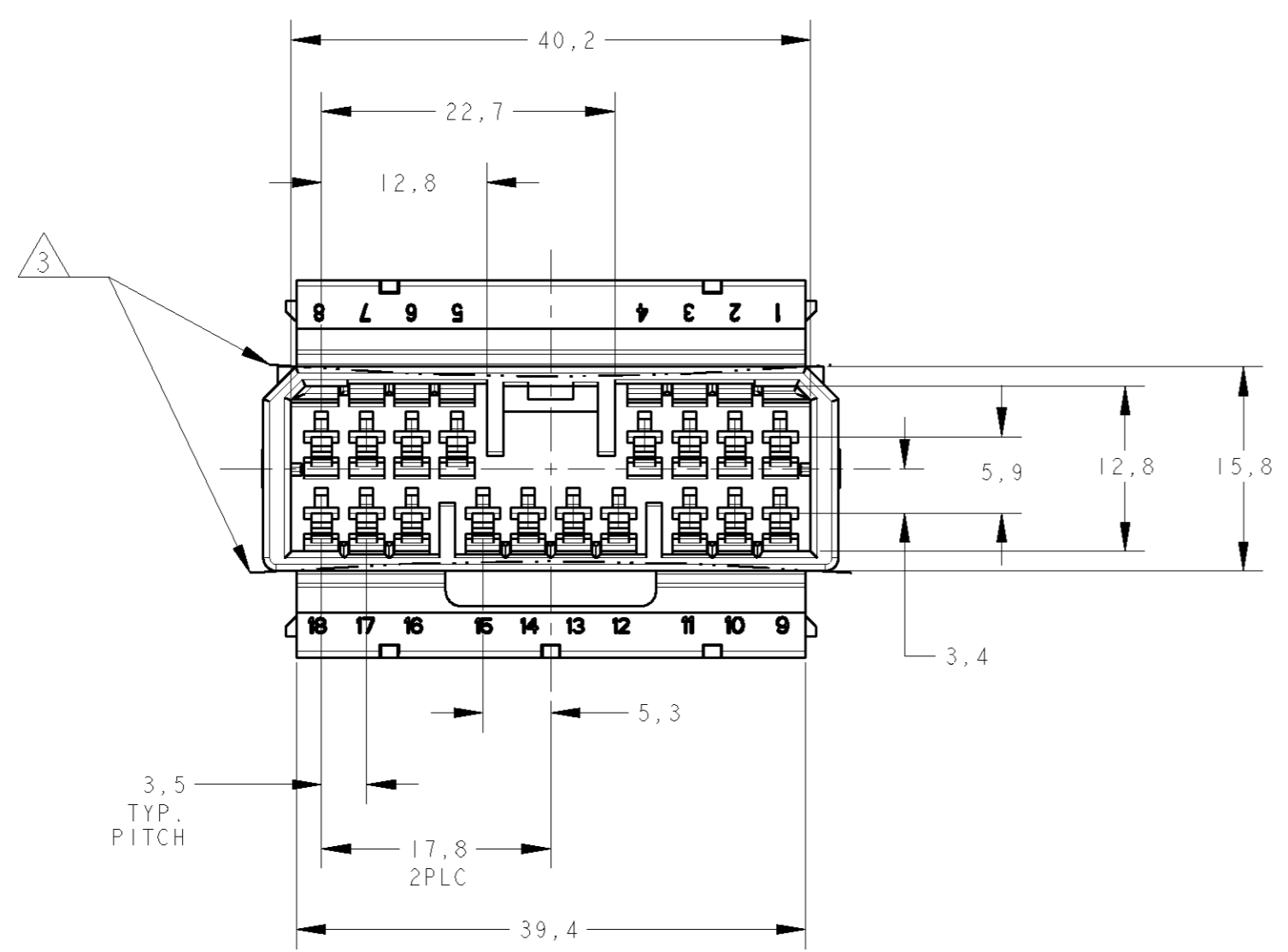
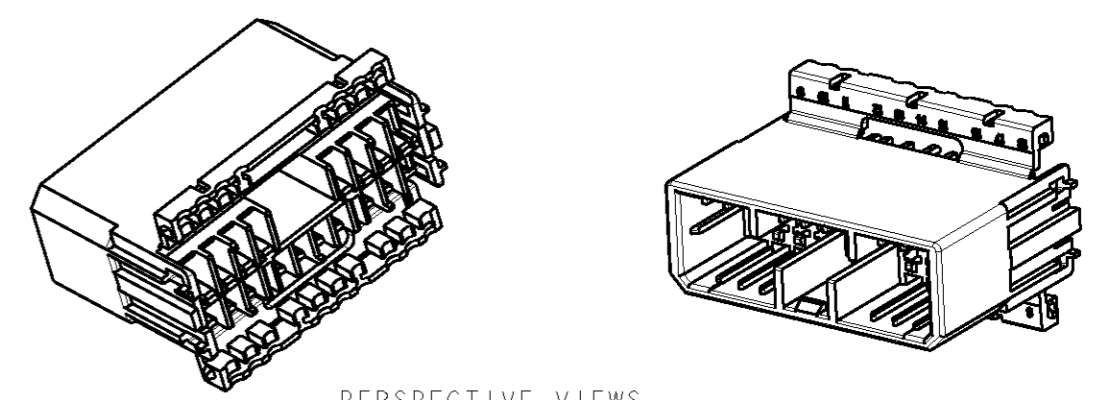
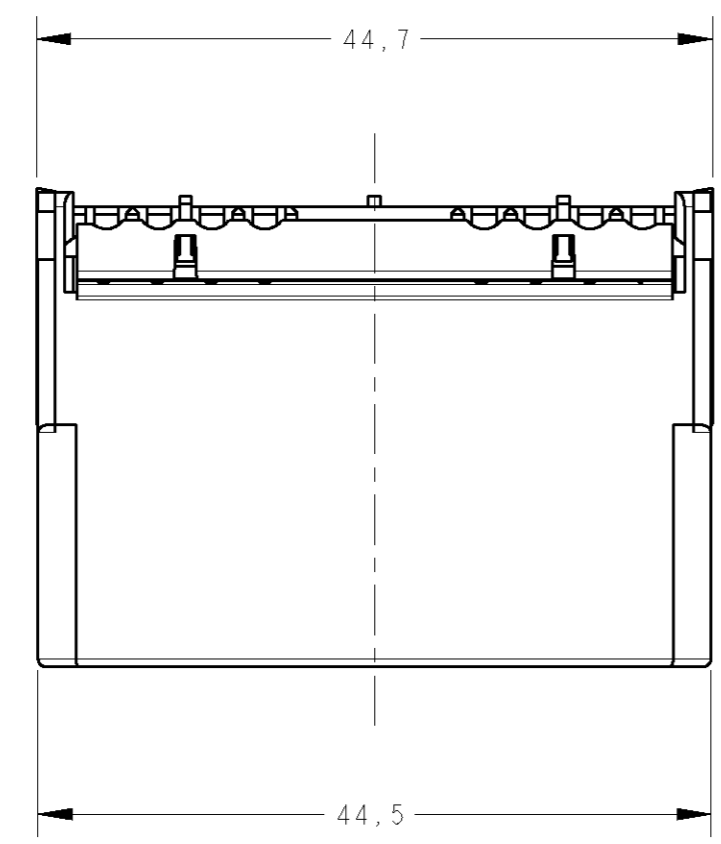
THIS DRAWING IS UNPUBLISHED. RELEASED FOR PUBLICATION 20
 © COPYRIGHT 20 BY TYCO ELECTRONICS CORPORATION. ALL RIGHTS RESERVED.

LOC	DIST	REVISIONS			
P	LTR	DESCRIPTION	DATE	DWN	APVD
AP	-				
O		RELEASED LE10-0191/04	22JUL2004	NCL	PLF
A		NOTE 3 ADDED EC-LE10-0255/04	08SEP2004	MRB	PLF

CAD
Pro-E
 DO NOT REVISE EXCEPT BY CAD



GRAVAÇÃO MARKING
LOGOTIPO AMP AMP LOGO
CÓDIGO PAÍS PRODUTOR MANUFACTURER COUNTRY CODE
NÚMERO CAVIDADE CAVITY NUMBER
IDENTIFICAÇÃO CIRCUITO CIRCUIT IDENTIFICATION
LOGOTIPO CLIENTE CUSTOMER LOGO
COD. DATADOR ANO / MES DATE CODE YEAR / MONTH



- 1- TERMINAIS UTILIZADOS: USED TERMINALS:
 WIRE RANGE 0,3 - 0,5mm - PN TYCO 282377-1
 WIRE RANGE 1,0 - 1,5mm - PN TYCO 282378-1
- 2- USADO NO: PN TYCO 1599386 USED ON:
- ③ - EMPENAMENTO MÁX. DE 0,3 MM. MAX. WARPAGE 0,3 MM.

NATURAL	PBT	A	1599385 -1
FINISH	MATERIAL	PART REV	PART NUMBER

THIS DRAWING IS A CONTROLLED DOCUMENT FOR TYCO ELECTRONICS CORPORATION IT IS SUBJECT TO CHANGE AND THE CONTROLLING ENGINEERING ORGANIZATION SHOULD BE CONTACTED FOR THE LATEST REVISION.		DWN NCLAPRESA 22JUL2004	tyco TYCO ELECTRONICS do Brasil LTDA. Sao Paulo, Brasil	
DIMENSIONS: mm		CHK PLEFARIA 22JUL2004	NAME HOUSING 18 POSN., .070 SERIES MULTILOCK TAB	
TOLERANCES UNLESS OTHERWISE SPECIFIED:		APVD LWPRADO 22JUL2004	SIZE CAGE CODE DRAWING NO RESTRICTED TO	
0 PLC ±		PRODUCT SPEC -	A2 00779 C-1599385	
1 PLC ±0,3		APPLICATION SPEC -	SCALE 2:1 SHEET 1 OF 1 REV A	
2 PLC ±		WEIGHT --		
3 PLC ±		CUSTOMER DRAWING		
4 PLC ±				
ANGLES ±1°				
FINISH				