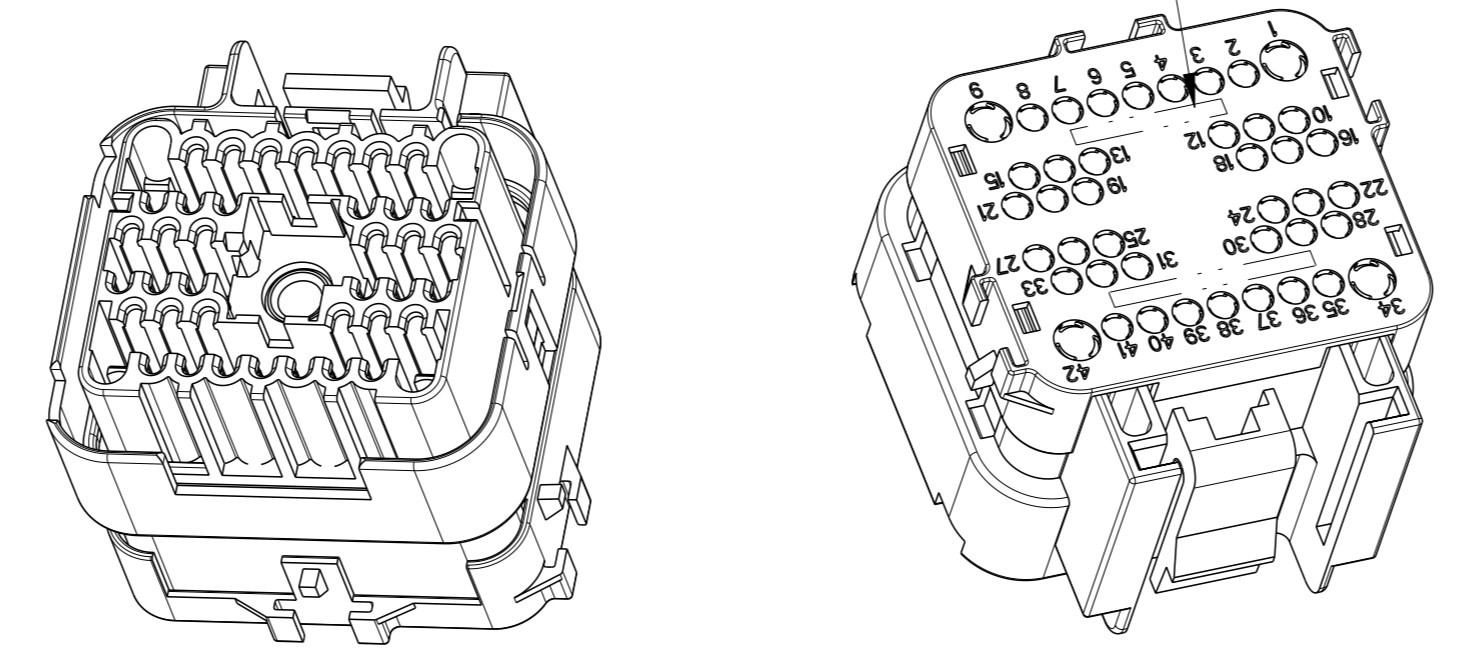
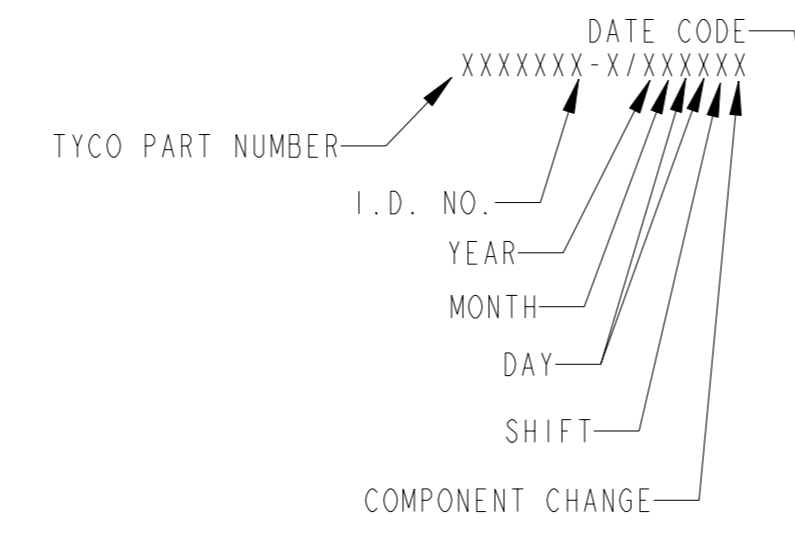
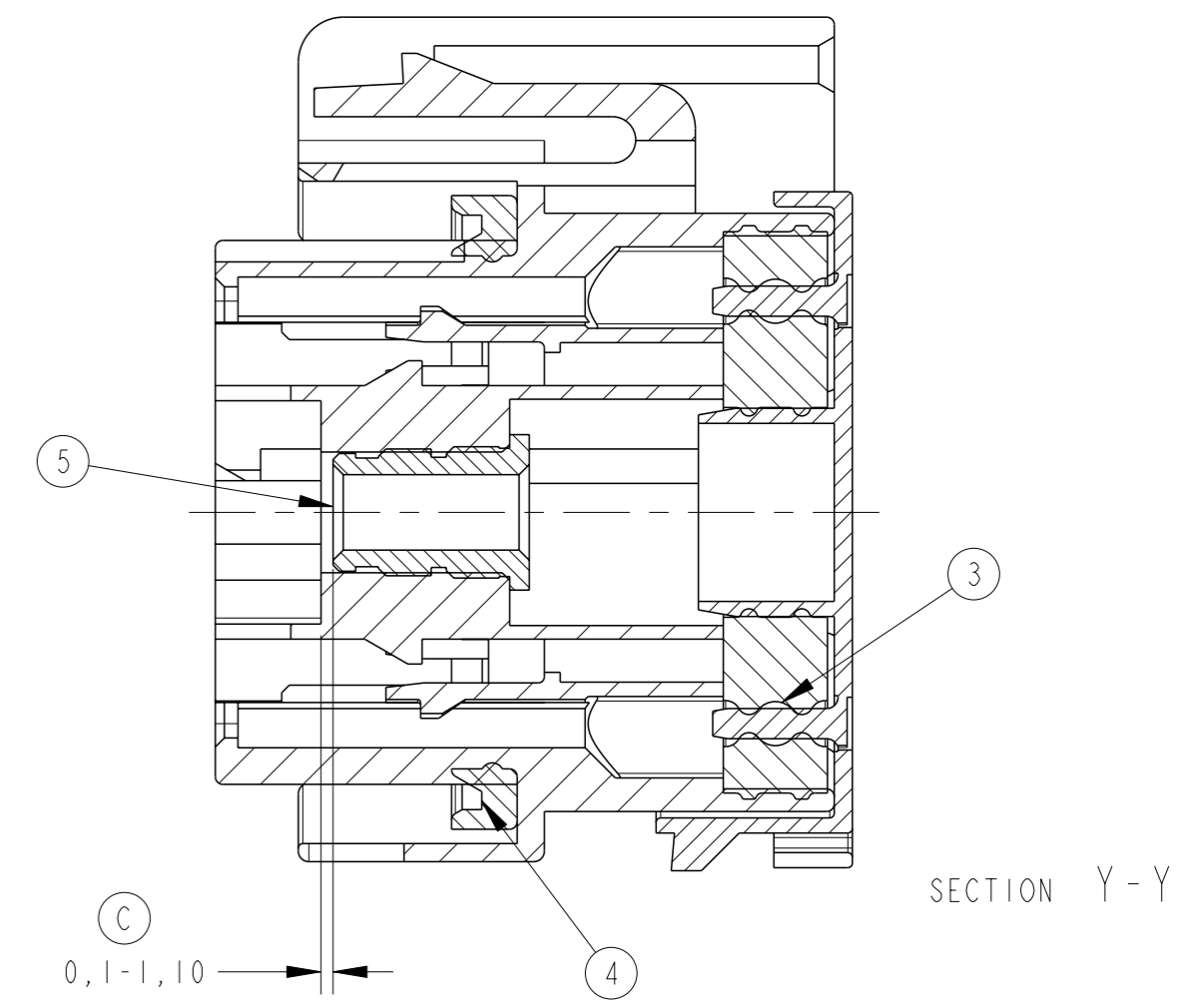
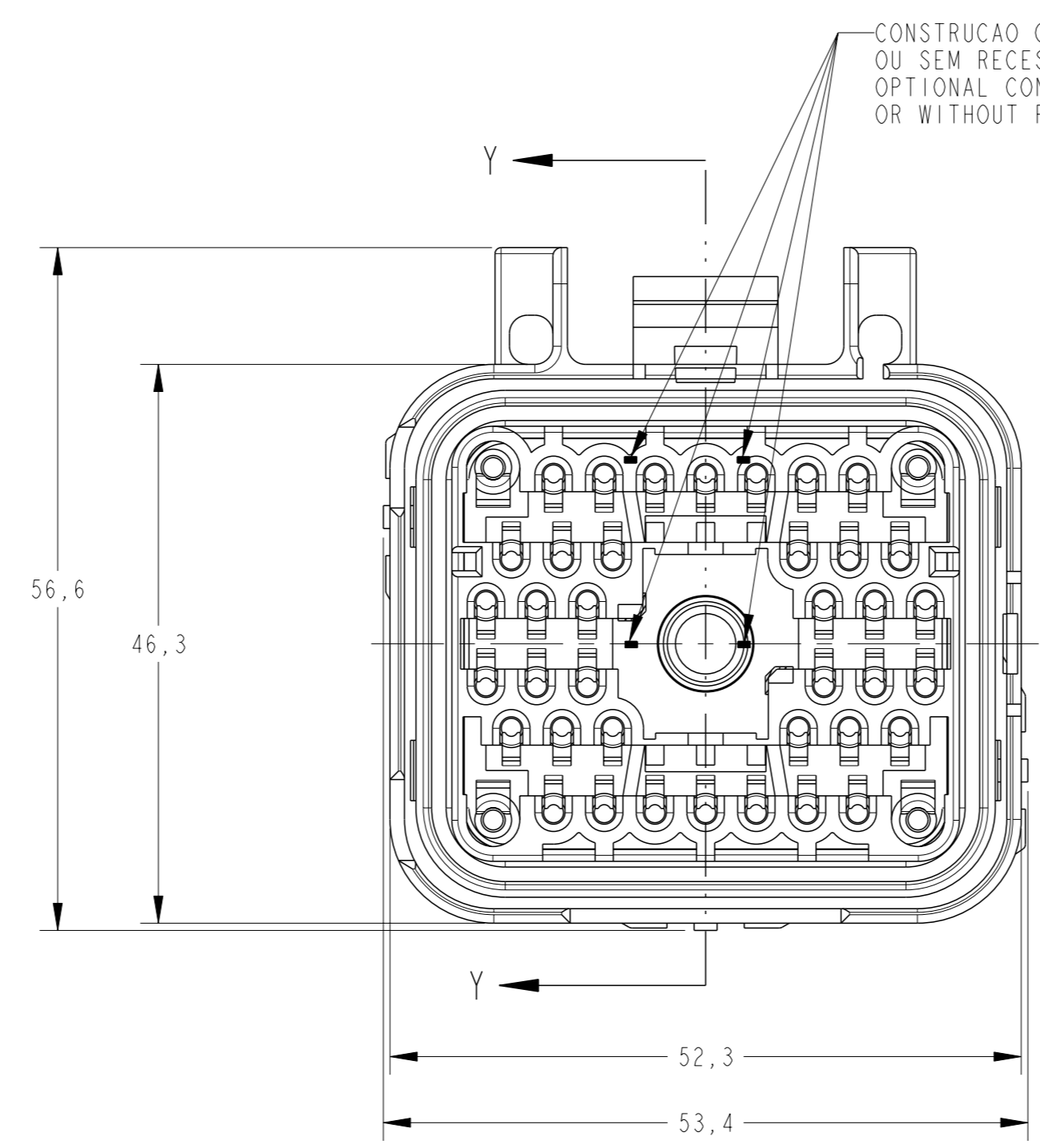
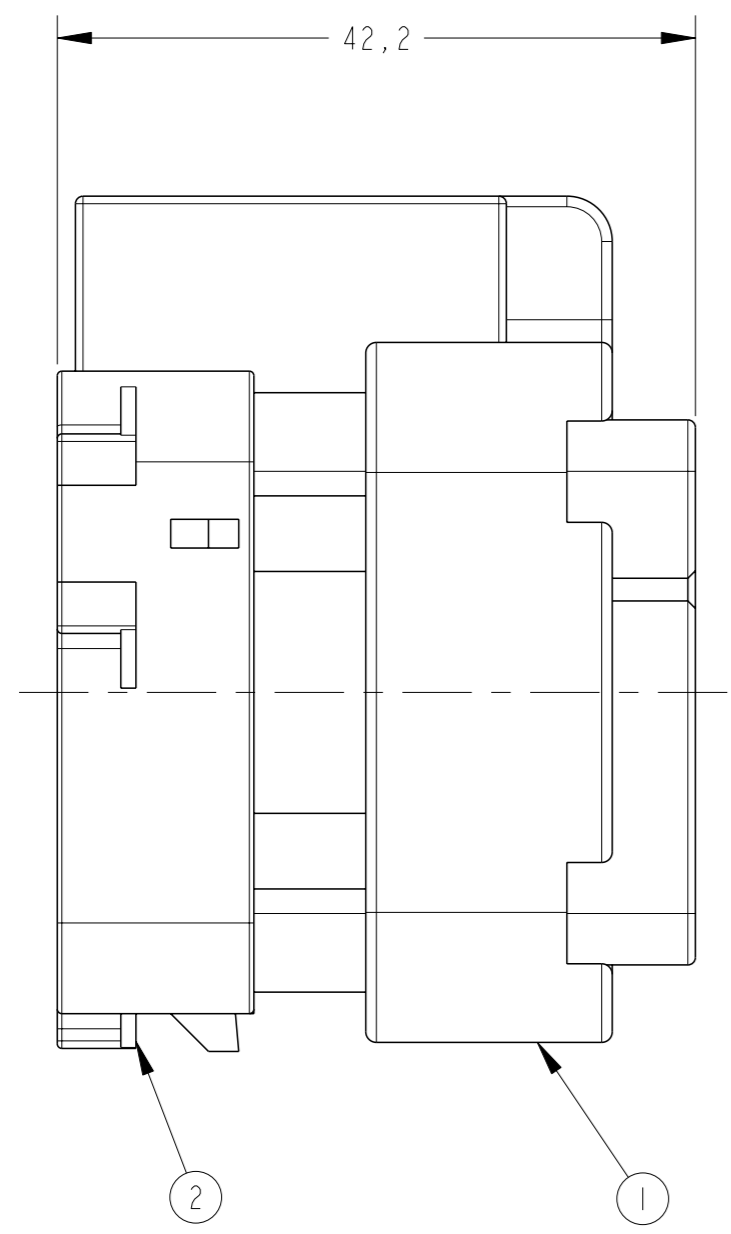
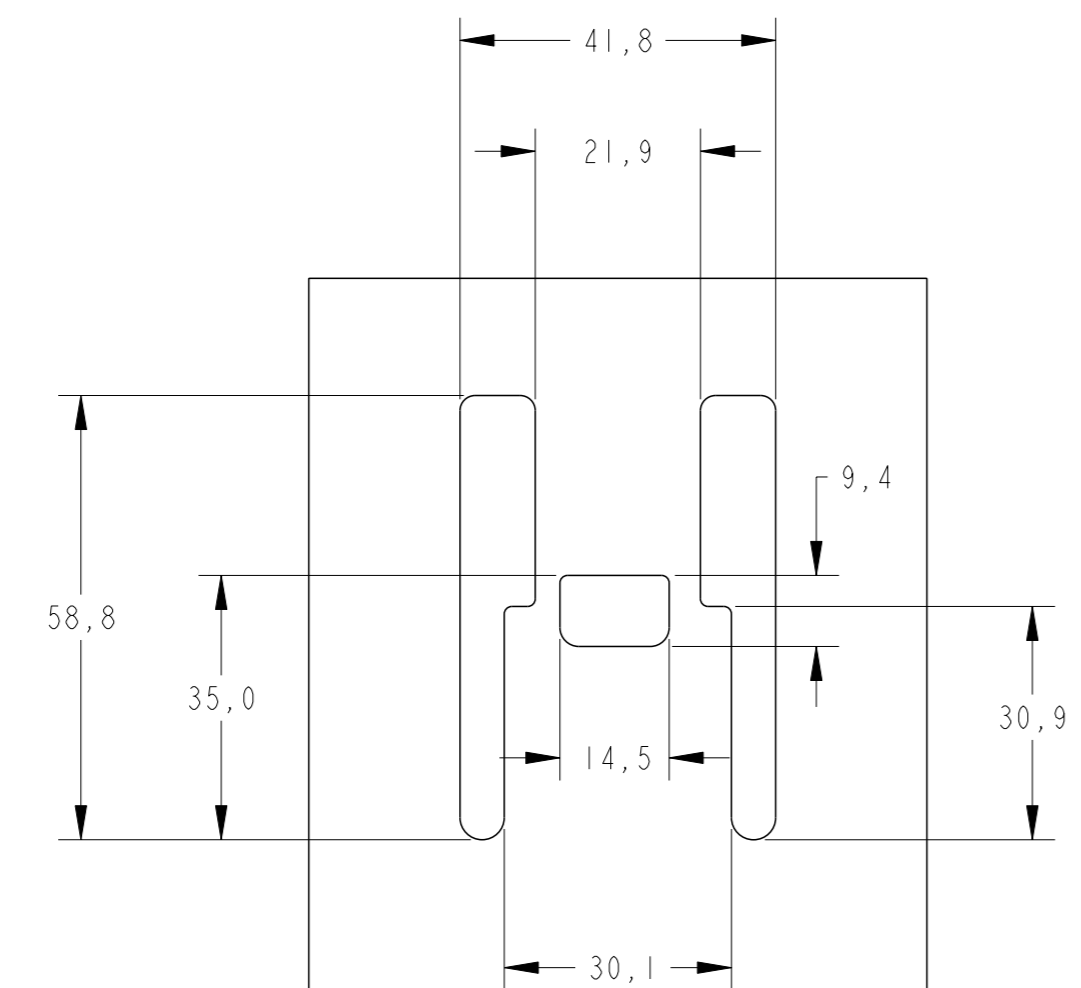
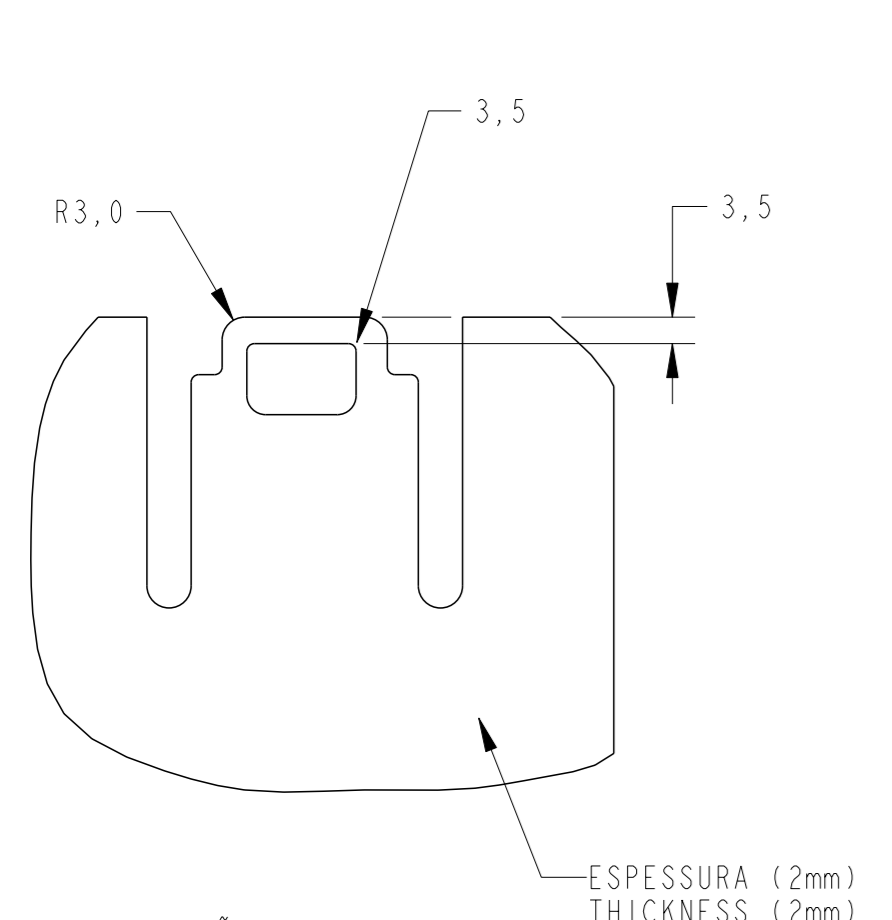


REVISIONS				
P.	LY#	DESCRIPTION	DATE	OWN APVD
C1		REVISED PER ECO-20-013015	13OCT2020	AP DO
C2		REVISE BY ECN-21-103478	18MAY2021	PSB NMS

CAD
DO NOT REVISE
EXCEPT BY CAD



- 1 - UTILIZAR COM SPACER CENTRAL 493511-1 (1CADA) E SPACER LATERAL 493510-1 (2CADA).
- 2 - PARA ASSEGURAR A COMPATIBILIDADE FUNCIONAL ENTRE AS PEÇAS ELAS DEVEM SER FERRAMENTADAS JUNTAS E MANUFATURADAS POR UM MESMO PROVEDOR.
- 3 - 1599027 (HOUSING ASSY PIN CONTACT) DEVE MONTAR COM 1599028 (HOUSING ASSY, SOCKET CONTACT) APROPRIADAMENTE.
- 4 - AS PEÇAS DEVEM ENCAIXAR COMPLETAMENTE USANDO-SE TORQUE MÁXIMO NO PARAFUSO DE 3,65 Nm.
- 5 - PARA EXTRAÇÃO DO TERMINAL UTILIZAR FERRAMENTA CONF. AMP SPEC. 411-37031.



OBSOLETE					
QTY	REV	DESCRIPTION	MATERIAL	COLOR	
1	1	5	493513-1	NUT 6 mm	NA
1	1	4	493514-1	CONNECTOR SEAL (GASKET)	SILICONE
1	1	3	493507-1	GROMMET WIRE SEAL 16MIL	SILICONE
1	1	2	493512-3	COVER-WIRE CONNECTOR, 42 POSN.	PBT +33% GF
1	1	1	493509-3	HOUSING, 42 POSN. SOCKET CONTACT	PBT +33% GF

THIS DRAWING IS A CONTROLLED DOCUMENT.

OWN: E.J.G.SILVA 12AUG2002
CHK: P.L.FARIA 12AUG2002
APVD: D.OLIVEIRA 12AUG2002

TE TE Connectivity

NAME: HOUSING ASSY., 42 POSN., SOCKET CONTACT

SIZE: A1 CAGE CODE: 00779 DRAWING NO: 1599028

MATERIAL: SEE TABLE FINISH: SEE TABLE WEIGHT: NA

CUSTOMER DRAWING SCALE: 2:1 SHEET 1 OF 2 REV: C2

8

7

6

5

4


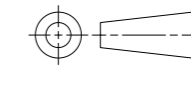
3

2

1

REVISIONS				
#	DATE	DESCRIPTION	DATE	APP'D
-		SEE SHEET 1	-	-

①		40		36		33		29	28	26	25									14																		34	+1599028-5						
②		40	39	36		34	33		29	28	26	25									14		10		8	7	6								3	1	26	+1599028-4							
③		40		36		33						26	25								14					7										2	34	+1599028-3							
④		40		36		33							26	25							14						7										33	+1599028-2							
																																					42	1599028-1							
		42	41	40	39	38	37	36	35	34	33	32	31	30	29	28	27	26	25	24	23	22	21	20	19	18	17	16	15	14	13	12	11	10	9	8	7	6	5	4	3	2	1	TOTAL OPEN HOLES	PN AMP

THIS DRAWING IS A CONTROLLED DOCUMENT.		OWN E. J. G. SILVA 12AUG2002	
		CHK P. L. FARIA 12AUG2002	
DIMENSIONS:	TOLERANCES UNLESS OTHERWISE SPECIFIED:	APVD D. OLIVEIRA 12AUG2002	NAME HOUSING ASSY., 42 POSN., SOCKET CONTACT
mm	0 PLC ± 1 PLC ±0.3 2 PLC ± 3 PLC ± 4 PLC ±	PRODUCT SPEC NA	
	ANGLES ★°	APPLICATION SPEC NA	SIZE A 00779
MATERIAL SEE TABLE	FINISH SEE TABLE	WEIGHT NA	DRAWING NO. C=1599028
		CUSTOMER DRAWING	RESTRICTED TO -
		SCALE 2:1	SHEET 2 OF 2
			REV C2