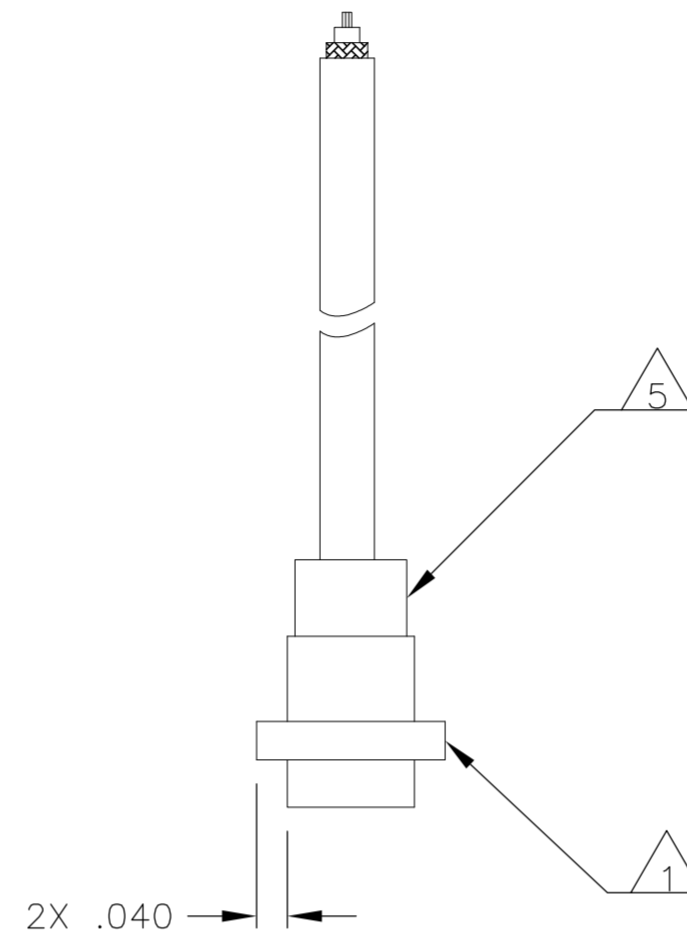
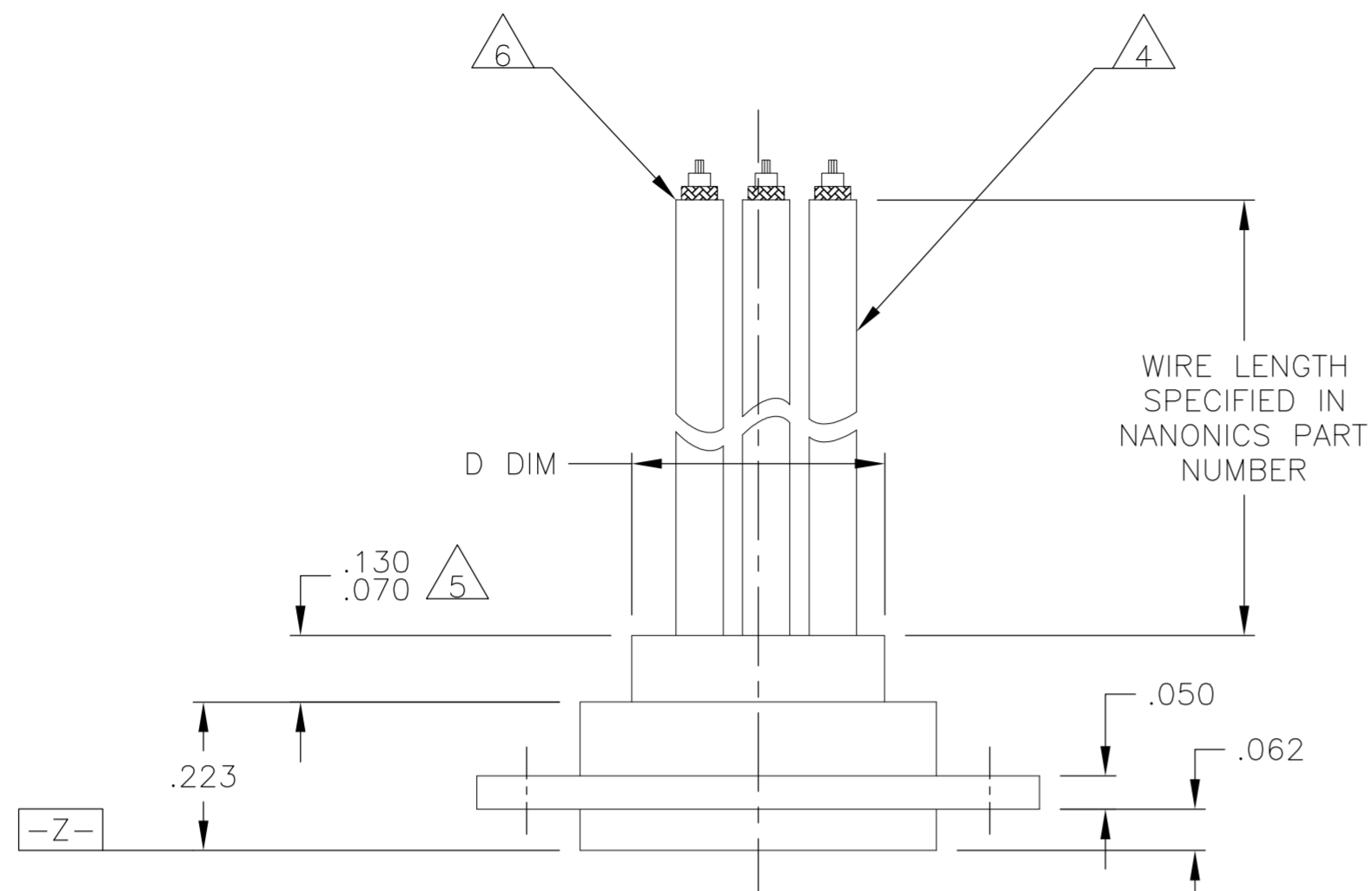
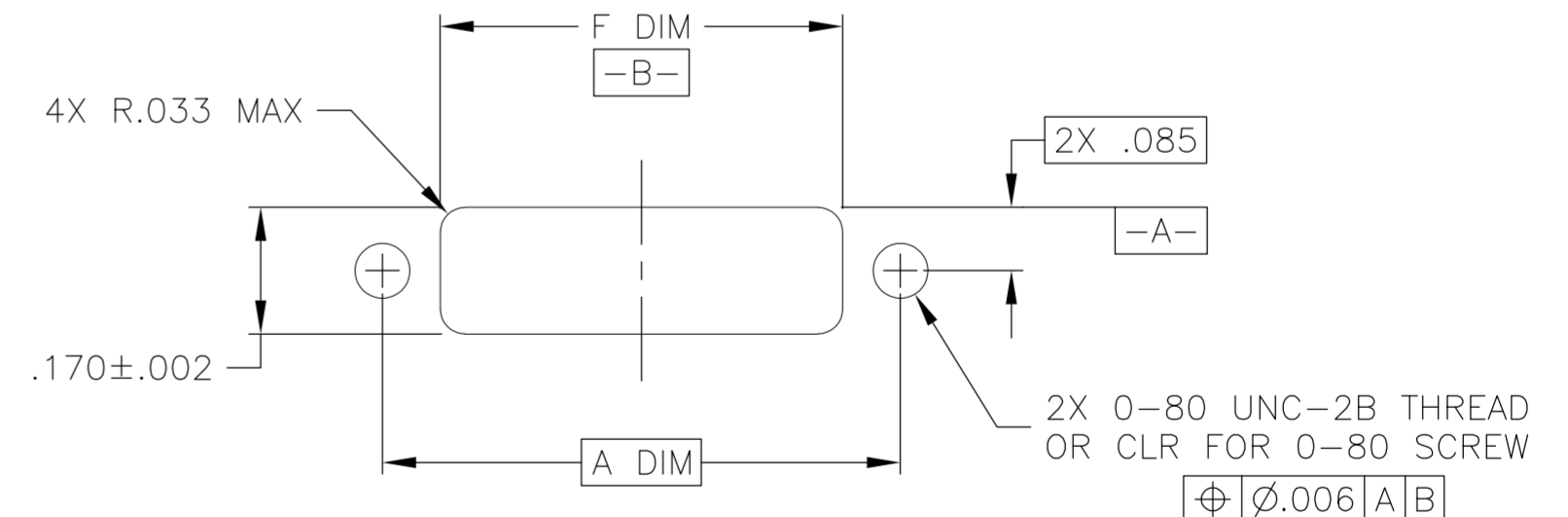
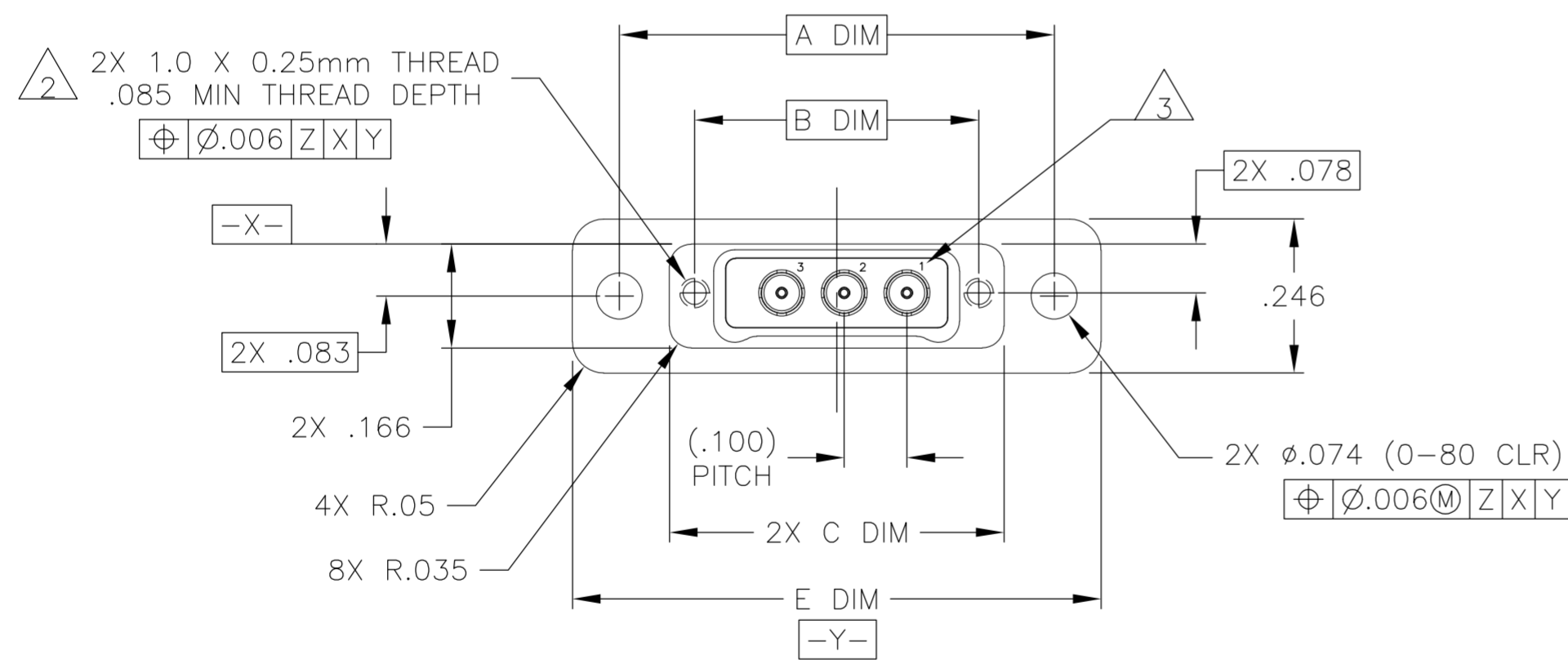


THIS DRAWING IS UNPUBLISHED. RELEASED FOR PUBLICATION
 © COPYRIGHT BY TYCO ELECTRONICS CORPORATION. ALL INTERNATIONAL RIGHTS RESERVED.

LOC		DIST		REVISIONS			
P	LTR	DESCRIPTION		DATE	DWN	APVD	
	B	UPDATE PER ECO-08-028630		7 NOV 08	BJR	MKS	



SIZE	A DIM	B DIM	C DIM	D DIM	E DIM	F DIM ±.002	No. COAX
01	.495	.254	.335	.18	.645	.340	1
02	.595	.354	.435	.28	.745	.440	2
03	.695	.454	.535	.38	.845	.540	3
04	.795	.554	.635	.48	.945	.640	4
05	.895	.654	.735	.58	1.045	.740	5
06	.995	.754	.835	.68	1.145	.840	6
07	1.095	.854	.935	.78	1.245	.940	7
08	1.195	.954	1.035	.88	1.345	1.040	8
09	1.295	1.054	1.135	.98	1.445	1.140	9



SUGGESTED PANEL CUT-OUT

- 1 SHELL MATERIAL: 6061-T6 ALUMINUM, ELECTROLESS NICKEL PLATED PER SAE-AMS-C-26074 OR SAE-AMS-2404E
- 2 INSULATOR MATERIAL: LIQUID CRYSTAL POLYMER (LCP) PER MIL-M-24519 OR PER ASTM D5138
- 3 STANDARD 1.0 X 0.25mm JACKSCREW THREADS ARE SHOWN FOR REFERENCE ONLY AND MUST BE SPECIFIED IN THE NANONICS PART NUMBER WHEN REQUIRED. 1.2 X 0.25mm THREADS ALSO AVAILABLE.
- 4 CONTACT NUMBERS ARE FOR REFERENCE ONLY AND ARE NOT MARKED ON THE PART
- 5 THIS CONFIGURATION MAY BE TERMINATED WITH RG-178 50 OHM COAXIAL CABLE, OR OTHER 50 OHM COAXIAL CABLES WITH 30 AWG OR SMALLER CENTER CONDUCTORS. CABLE TYPE AND LENGTH SHALL BE SPECIFIED IN THE NANONICS PART NUMBER.
- 6 EPOXY BACKPOTTING USING FREY CF-3003 EPOXY
- 7 STRIPPED COAXES ARE SHOWN FOR VISUAL PURPOSES ONLY
- 8 THIS DRAWING ALSO IDENTIFIED AS NANONICS 303-0114

THIS DRAWING IS A CONTROLLED DOCUMENT.		DWN C SCHOLL 8 MAR 05	Tyco Electronics Corporation Harrisburg, PA 17105-3608	
DIMENSIONS: INCHES		CHK M STORRY 8 MAR 05	NAME	
TOLERANCES UNLESS OTHERWISE SPECIFIED:		APVD	PRODUCT SPEC	
0 PLC ± -		APPLICATION SPEC		
1 PLC ± -		WEIGHT		
2 PLC ± .010		SCALE 4:1		
3 PLC ± .005		SHEET 1 of 1		
4 PLC ± -		REV B		
ANGLES ± 1°		CUSTOMER DRAWING		
FINISH		SIZE A2		
SEE NOTES		CAGE CODE 0PJN9		
		DRAWING NO. 1589906		
		RESTRICTED TO		