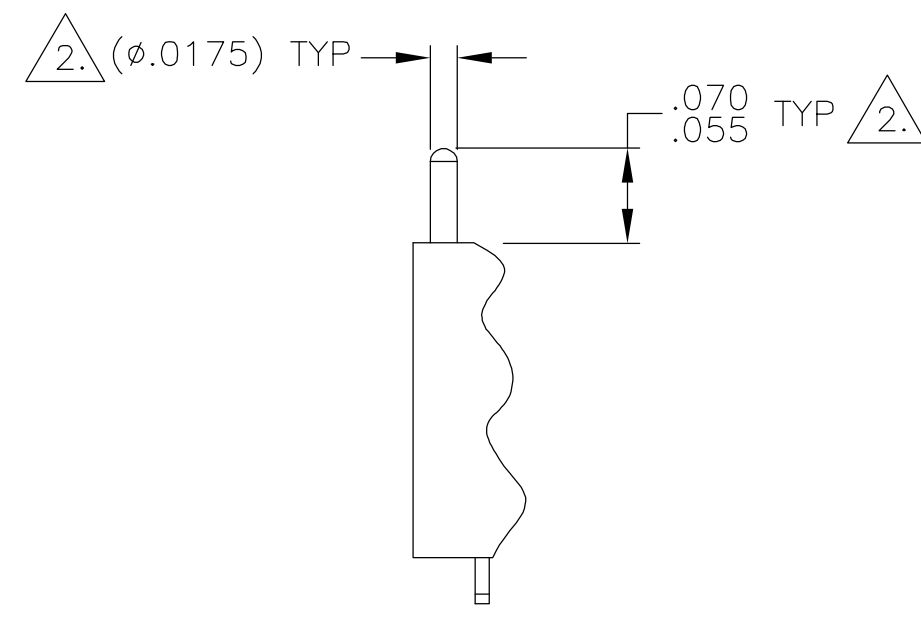
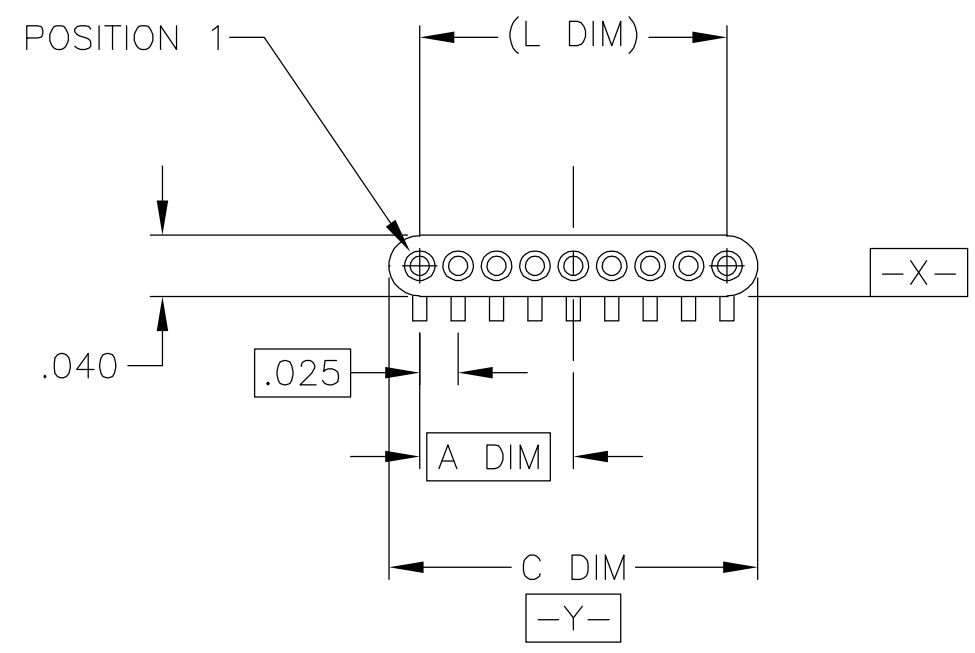


THIS DRAWING IS UNPUBLISHED. RELEASED FOR PUBLICATION
 © COPYRIGHT BY TYCO ELECTRONICS CORPORATION. ALL RIGHTS RESERVED.

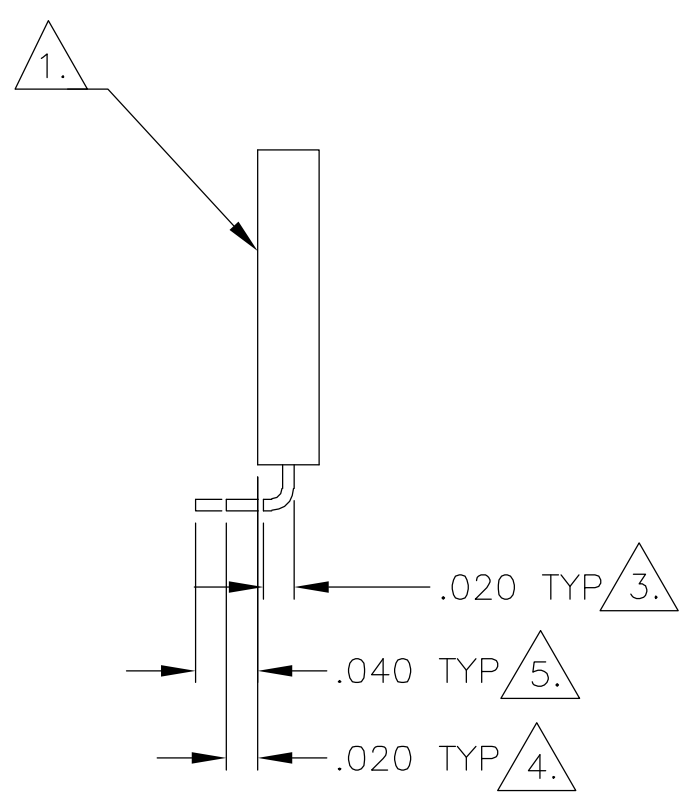
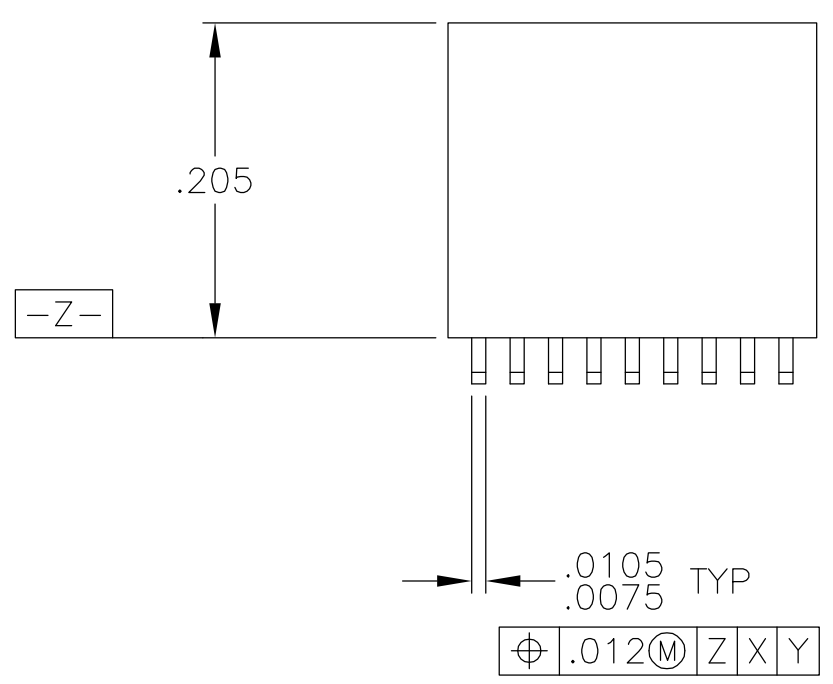
LOC	DIST	REVISIONS					
DF	D0	P	LTR	DESCRIPTION	DATE	DWN	APVD
		B		UPDATE PER 0H2Y-0026-04	01-23-04	JDM	MKS



SIZE	A DIM	C DIM	(L DIM)
04	.0375	.115	(.075)
09	.100	.240	(.200)
15	.175	.390	(.350)

25	.300	.640	(.600)
37	.450	.940	(.900)
51	.625	1.290	(1.250)

DETAIL A
 POSITION "T" SHOWN FOR REFERENCE



- T POSITION 1
- U POSITION 2
- V POSITION 3
- W POSITION 1, AND SECOND TO LAST POSITION
- Y POSITION 1, AND THIRD TO LAST POSITION
- Z POSITION 2, AND THIRD TO LAST POSITION

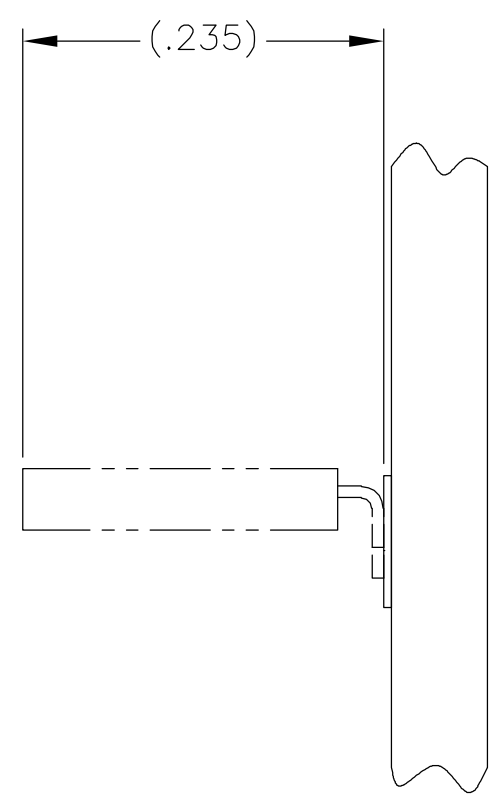
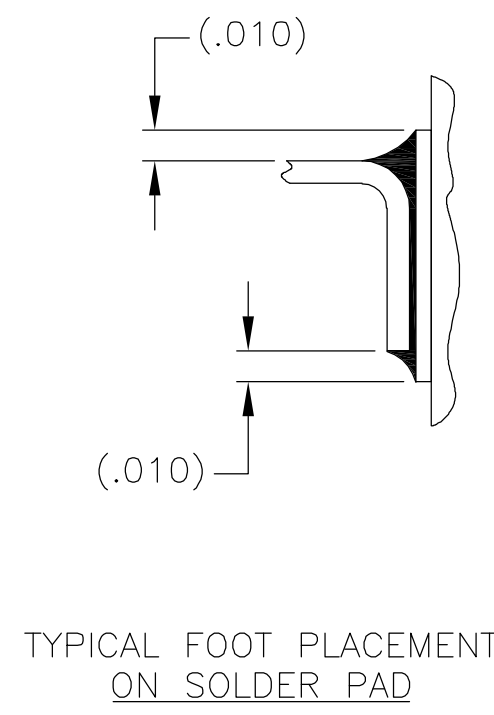
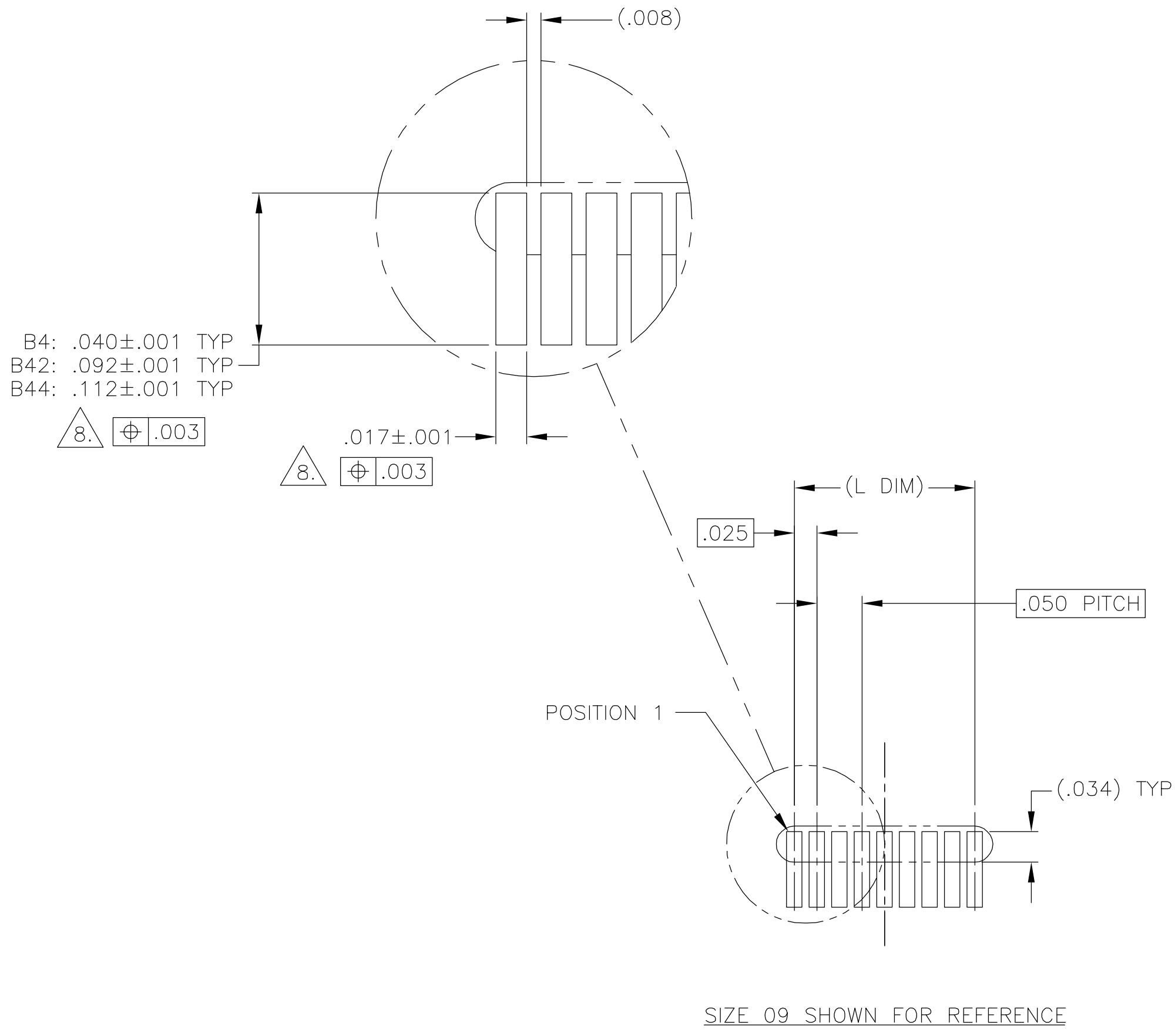
2. POLARIZING GUIDE POST "PGP" POSITIONS, SEE DETAIL A

- 1. INSULATOR MATERIAL: RYTON (POLYPHENYLENE SULFIDE) PER MIL-M-24519 OR LCP PER ASTM D5138
- 2. OPTIONAL POLARIZATION GUIDE POST SHOWN FOR REFERENCE ONLY. IF GUIDE POST(S) ARE REQUIRED, THE LOCATION MUST BE SPECIFIED IN THE NANONICS PART NUMBER. GUIDE POST MATERIAL IS 303 STAINLESS STEEL, PASSIVATED PER SAE-AMS-QQ-P-35.
- 3. TERMINATION CODE: B4 4. TERMINATION CODE: B42 5. TERMINATION CODE: B44
- 6. WHEN ORDERING THESE SIZES, FIRST CONSULT TYCO ELECTRONICS/NANONICS FOR ADDITIONAL INFORMATION.
- 7. THIS DRAWING PREVIOUSLY IDENTIFIED AS NANONICS N10138/060

THIS DRAWING IS A CONTROLLED DOCUMENT.		DWN C. SCHOLL 12-12-02	Tyco Electronics Corporation Harrisburg, PA 17105
DIMENSIONS: INCHES		CHK M. STORRY 12-13-02	
TOLERANCES UNLESS OTHERWISE SPECIFIED:		APVD D. MORALES 01-27-04	NAME
0 PLC ± - 1 PLC ± - 2 PLC ± .010 3 PLC ± .005 4 PLC ± - ANGLES ± 1°		PRODUCT SPEC	PLUG ASSEMBLY, UNSHROUDED STRIP, VERTICAL SMT, PLASTIC
MATERIAL SEE NOTES		FINISH SEE NOTES	SIZE CAGE CODE DRAWING NO RESTRICTED TO
SEE NOTES		WEIGHT -	A2 00779 C=1589775 -
CUSTOMER DRAWING		SCALE 8:1	SHEET 1 OF 2 REV B

THIS DRAWING IS UNPUBLISHED. RELEASED FOR PUBLICATION
 © COPYRIGHT BY TYCO ELECTRONICS CORPORATION. ALL RIGHTS RESERVED.

LOC	DIST	REVISIONS					
DF	DO	P	LTR	DESCRIPTION	DATE	DWN	APVD
		B		UPDATE PER 0H2Y-0026-04	01-23-04	JDM	MKS



TYPICAL PCB LAYOUT

8. POSITIONAL TOLERANCES FOR BASIC DIMENSIONED FEATURES ARE RELATIVE TO FIDUCIALS OR SOME SIMILAR DATUM REFERENCE DEFINED BY THE PCB DESIGNER.

THIS DRAWING IS A CONTROLLED DOCUMENT.		DWN C. SCHOLL 12-12-02	 Tyco Electronics Corporation Harrisburg, PA 17105
DIMENSIONS: INCHES		CHK M. STORRY 12-13-02	
TOLERANCES UNLESS OTHERWISE SPECIFIED:		APVD D. MORALES 01-27-04	
0 PLC ± - 1 PLC ± - 2 PLC ± .010 3 PLC ± .005 4 PLC ± - ANGLES ± 1° FINISH -		NAME D. MORALES	
MATERIAL -		PRODUCT SPEC -	PLUG ASSEMBLY, UNSHROUDED, STRIP, VERTICAL SMT, PLASTIC
		APPLICATION SPEC -	SIZE A2
		WEIGHT -	CAGE CODE 00779
		CUSTOMER DRAWING	DRAWING NO. C=1589775
		SCALE 8:1	RESTRICTED TO -
		SHEET 2 OF 2	REV B