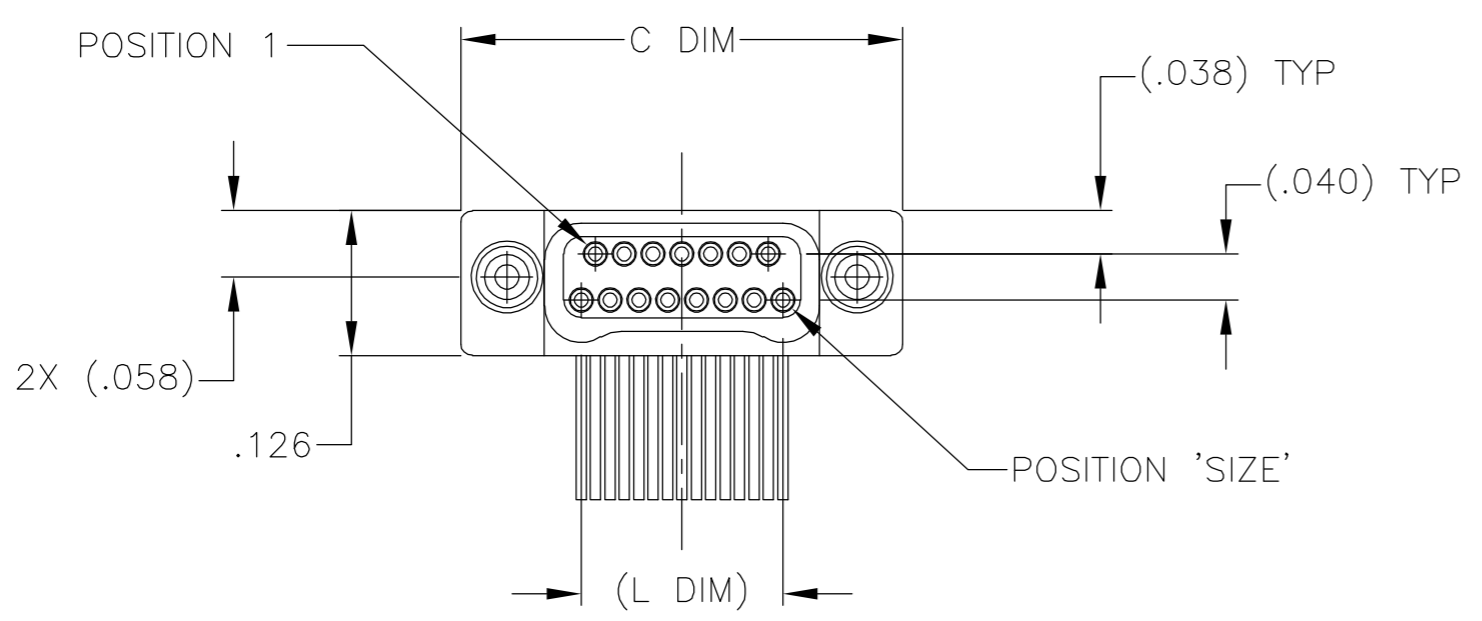
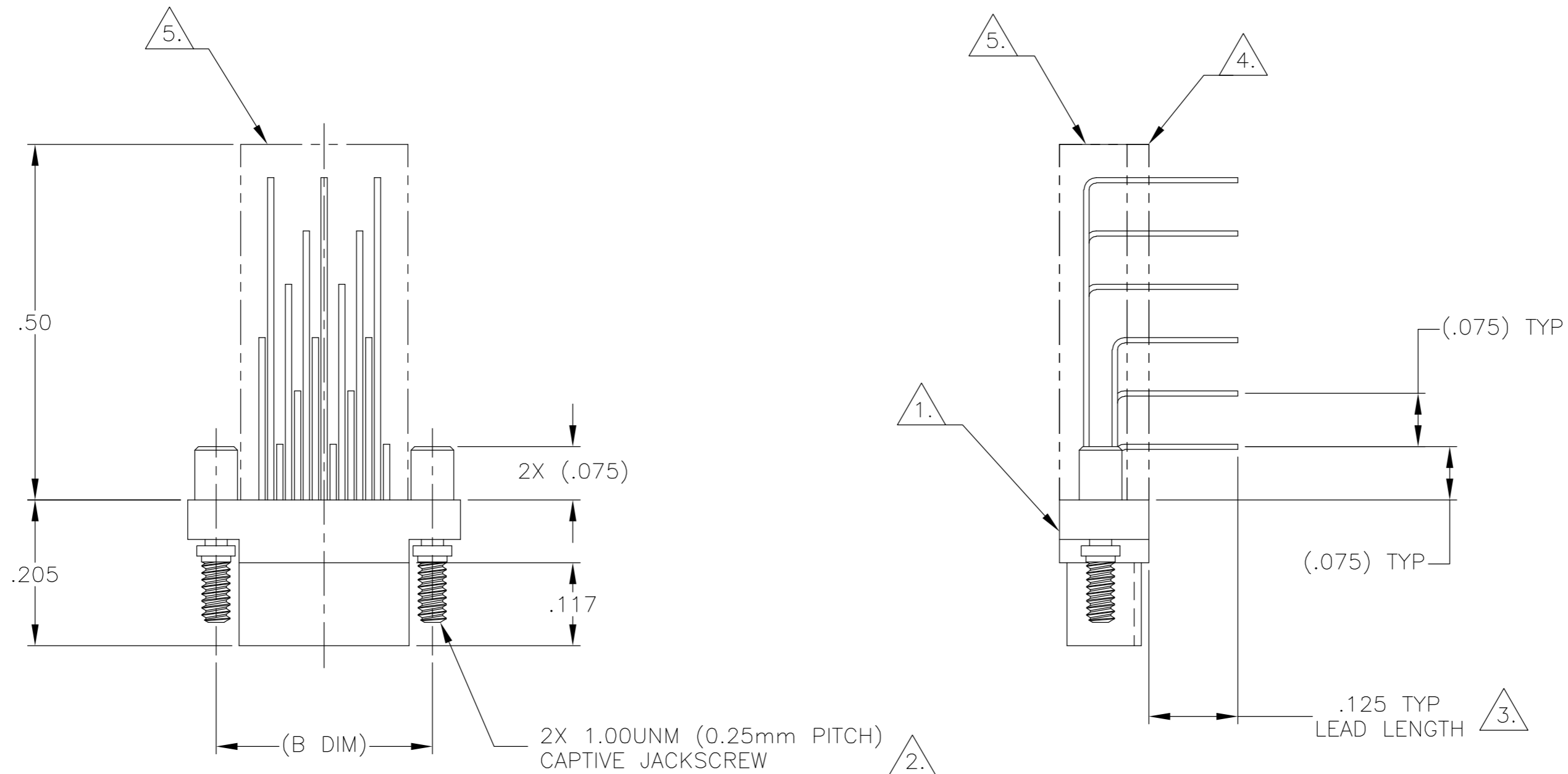


THIS DRAWING IS UNPUBLISHED. RELEASED FOR PUBLICATION  
 © COPYRIGHT BY TYCO ELECTRONICS CORPORATION. ALL RIGHTS RESERVED.

LOC	DIST	REVISIONS			
P	LTR	DESCRIPTION	DATE	DWN	APVD
DF	D0				
	D	UPDATE PER 0H2Y-0164-02	12 MAY 04	CAS	MKS



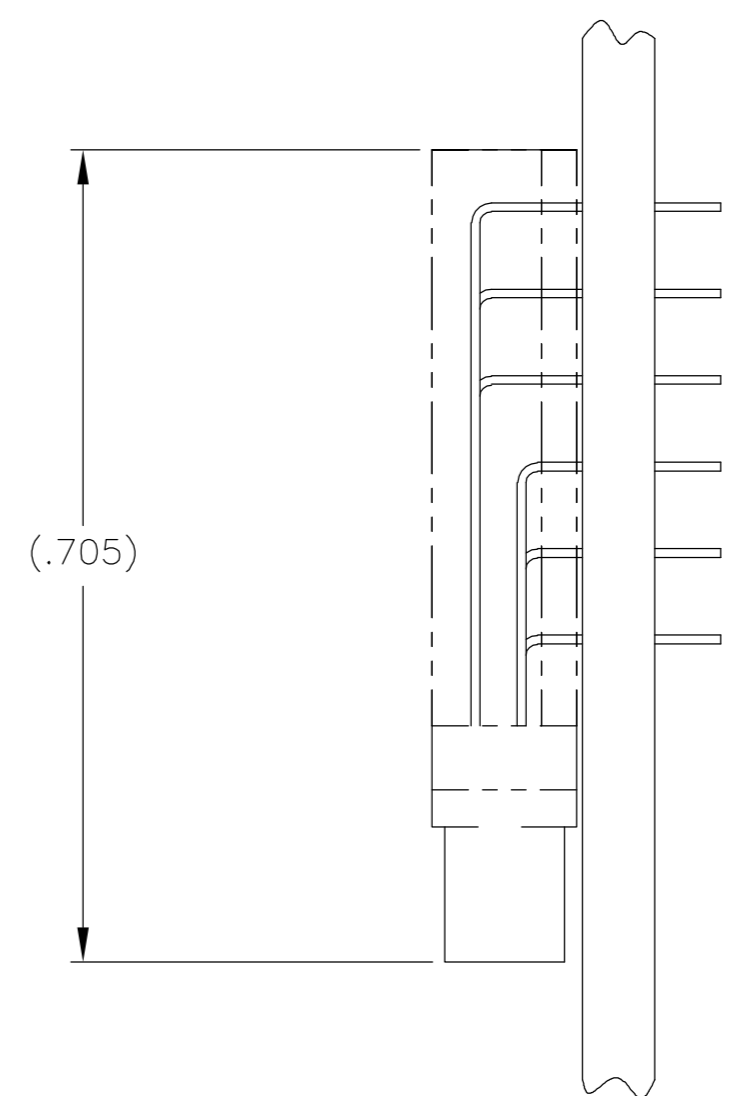
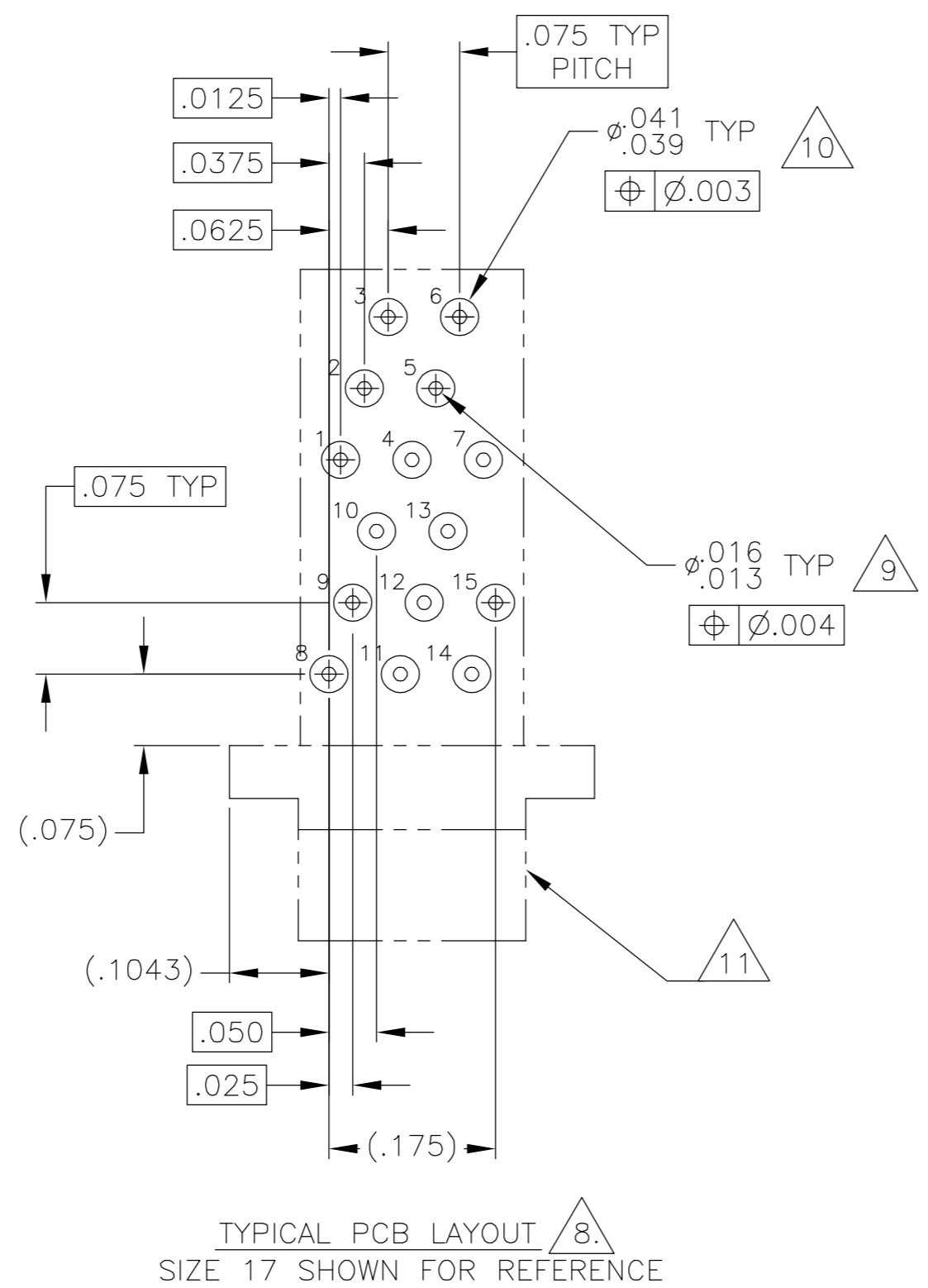
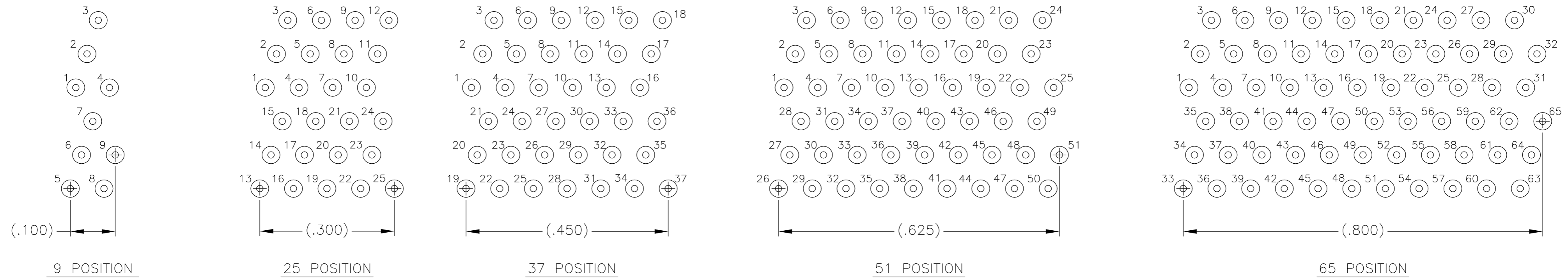
SIZE	(B DIM)	C DIM ±.0050	(L DIM)
09	(.229)	.3085	(.100)
15	(.304)	.3835	(.175)
25	(.429)	.5085	(.300)
37	(.579)	.6585	(.450)
51	(.754)	.8335	(.625)
65	(.929)	1.0085	(.800)

- 1. SHELL OPTIONS (TO BE SPECIFIED IN NANONICS PART NUMBER):  
 METAL: 6061-T6 ALUMINUM, ELECTROLESS NICKEL PLATED PER MIL-C-26074 (STANDARD) OR GOLD PLATED PER MIL-G-45204  
 303 STAINLESS STEEL, PASSIVATED PER SAE-AMS-QQ-P-35  
 INSULATOR MATERIAL FOR ALL METAL SHELLS IS LIQUID CRYSTAL POLYMER (LCP) PER MIL-M-24519 OR PER ASTM D5138  
 PLASTIC: LIQUID CRYSTAL POLYMER (LCP) PER MIL-M-24519 OR PER ASTM D5138
- 2. STANDARD 1.00UNM CAPTIVE JACKSCREWS ARE SHOWN FOR REFERENCE ONLY AND MUST BE SPECIFIED IN THE NANONICS PART NUMBER WHEN REQUIRED. JACKSCREW MATERIAL IS 303 STAINLESS STEEL, PASSIVATED PER SAE-AMS-QQ-P-35, AND DRY LUBED PER DOD-L-85645. RETAINING RING IS 17-4 STAINLESS STEEL, PASSIVATED PER SAE-AMS-QQ-P-35. JACKSCREWS HAVE A .9mm HEX SOCKET HEAD. 1.20UNM JACKSCREWS ALSO AVAILABLE.
- 3. LEADS ARE HH BRASS, TIN LEAD PLATED 60/40 COMPOSITION PER SAE-AMS-P-81728.
- 4. INSULATOR BOARD MATERIAL: G10 OR EQUIVALENT.
- 5. EPOXY ENCAPSULATION.
- 6. TERMINATION CODE: C6
- 7. THIS DRAWING PREVIOUSLY IDENTIFIED AS NANONICS N10138/285

THIS DRAWING IS A CONTROLLED DOCUMENT.		DWN M. STORRY 6 JUL 00	Tyco Electronics Corporation Harrisburg, PA 17105	
DIMENSIONS: INCHES	TOLERANCES UNLESS OTHERWISE SPECIFIED:	CHK S. KAIN 6 JUL 00	NAME	
	0 PLC ± -	APVD -	PRODUCT SPEC	
	1 PLC ± -		APPLICATION SPEC	
	2 PLC ± .010		-	
	3 PLC ± .005		-	
MATERIAL	FINISH	WEIGHT -	SIZE A2	CAGE CODE 00779
SEE NOTES	SEE NOTES	CUSTOMER DRAWING	DRAWING NO C=1589492	RESTRICTED TO -
		SCALE 6:1	SHEET 1	OF 2
			REV D	

THIS DRAWING IS UNPUBLISHED. RELEASED FOR PUBLICATION  
 © COPYRIGHT BY TYCO ELECTRONICS CORPORATION. ALL RIGHTS RESERVED.

LOC		DIST		REVISIONS			
DF	D0	P	LTR	DESCRIPTION	DATE	DWN	APVD
		D		UPDATE PER 0H2Y-0164-04	12 MAY 04	CAS	MKS



TYPICAL PCB LAYOUT <sup>8</sup>  
 SIZE 17 SHOWN FOR REFERENCE

- <sup>8</sup>. POSITIONAL TOLERANCES FOR BASIC DIMENSIONED FEATURES ARE RELATIVE TO FIDUCIALS OR SOME SIMILAR DATUM REFERENCES DEFINED BY PCB DESIGNER.
- <sup>9</sup>. PLATED THRU HOLES.
- <sup>10</sup>. SOLDER PADS.
- <sup>11</sup>. CONNECTOR ORIENTATION
- 12. ALL THROUGH HOLE LAYOUTS ARE AS VIEWED FROM TOP OF PCB.

THIS DRAWING IS A CONTROLLED DOCUMENT.		DWN M. STORRY 6 JUL 00	Tyco Electronics Corporation Harrisburg, PA 17105	
DIMENSIONS: INCHES		CHK S. KAIN 6 JUL 00		
TOLERANCES UNLESS OTHERWISE SPECIFIED:		APVD -	NAME PLUG ASSEMBLY, HORIZONTAL MOUNT, THROUGH HOLE, 2 TO 6 ROW, .075 SPACING, PLASTIC OR METAL	
0 PLC ± - 1 PLC ± - 2 PLC ± - 3 PLC ± - 4 PLC ± - ANGLES ± - FINISH -		PRODUCT SPEC -	APPLICATION SPEC -	RESTRICTED TO -
MATERIAL -		WEIGHT -	SIZE A2	CAGE CODE 00779
		CUSTOMER DRAWING	DRAWING NO C=1589492	SCALE 6:1
			SHEET 2	OF 2
			REV D	