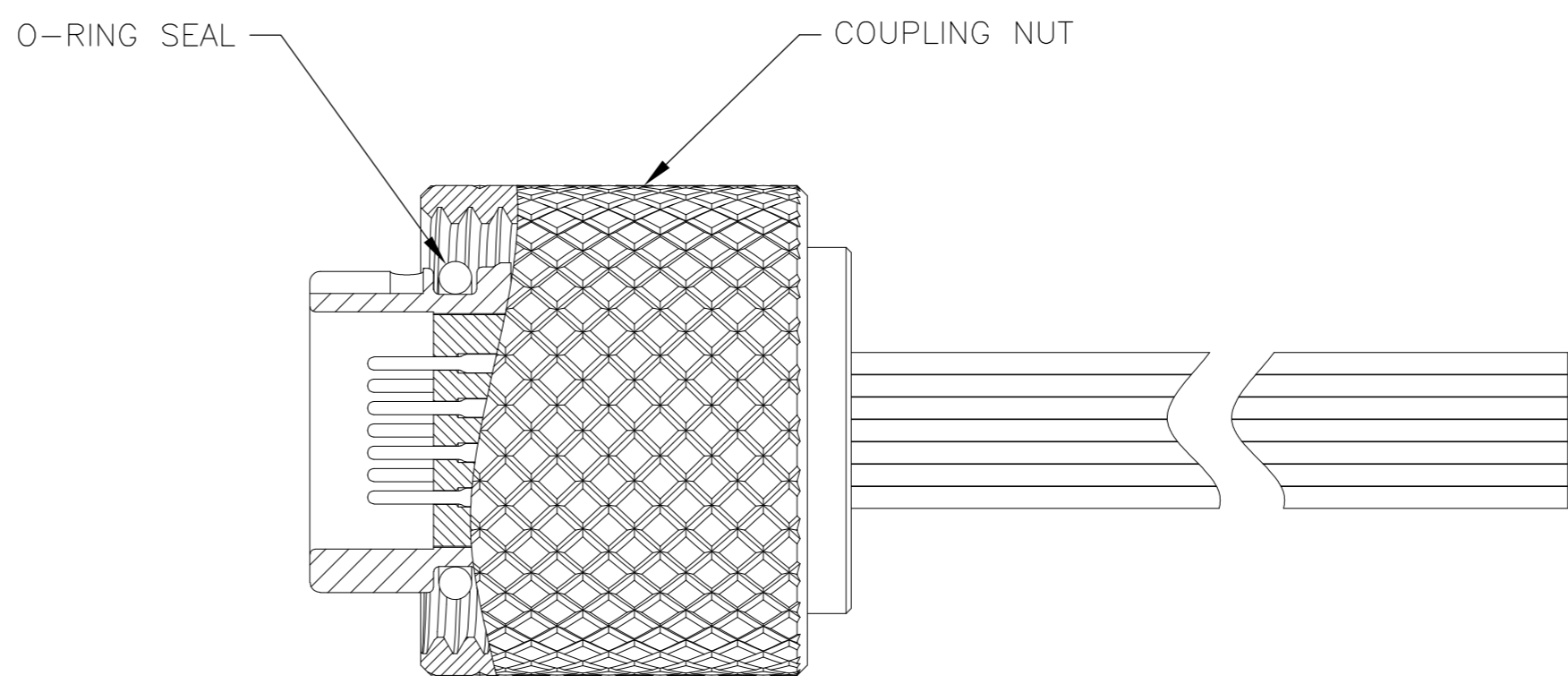
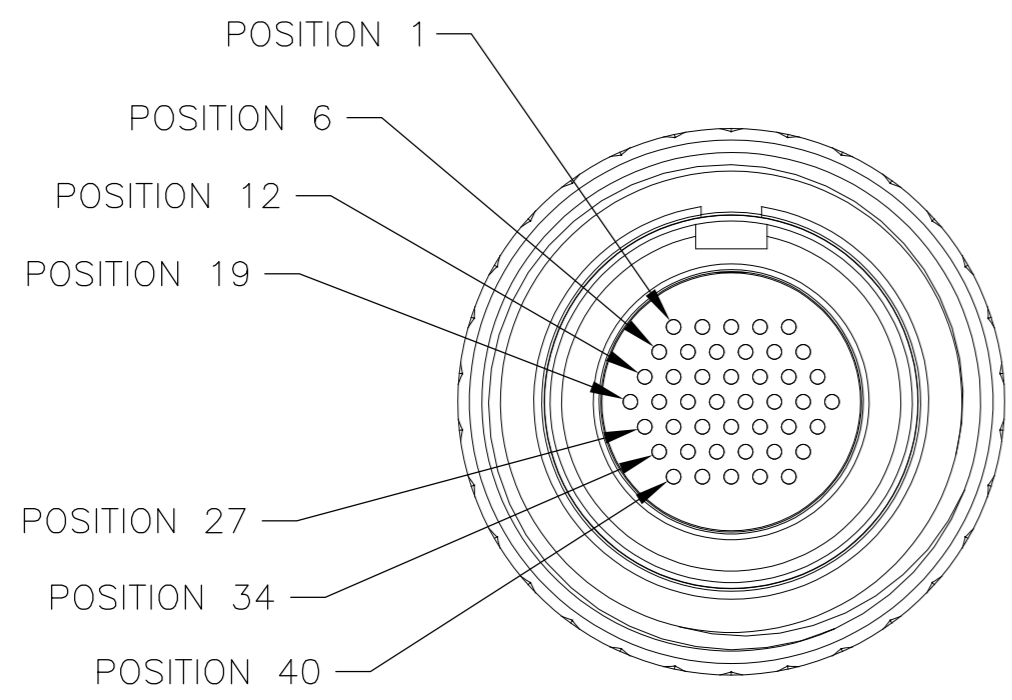
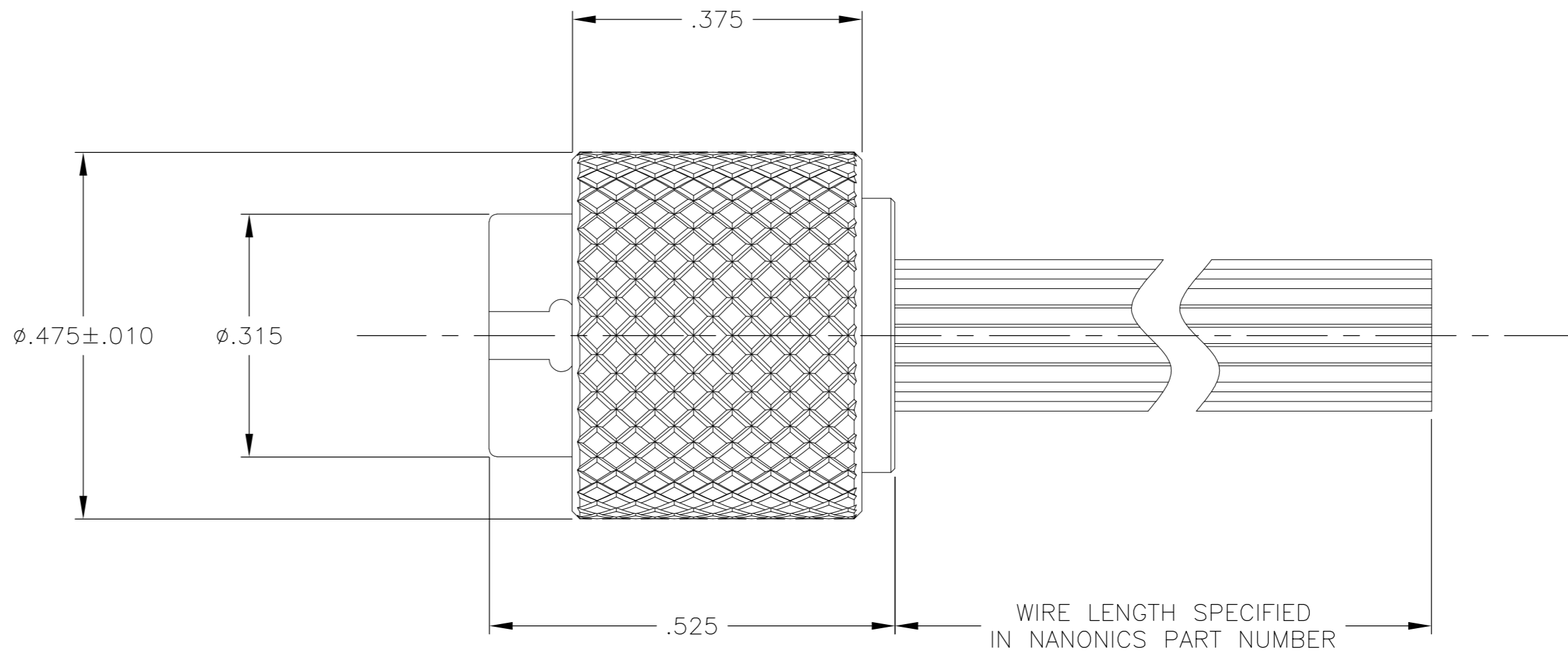
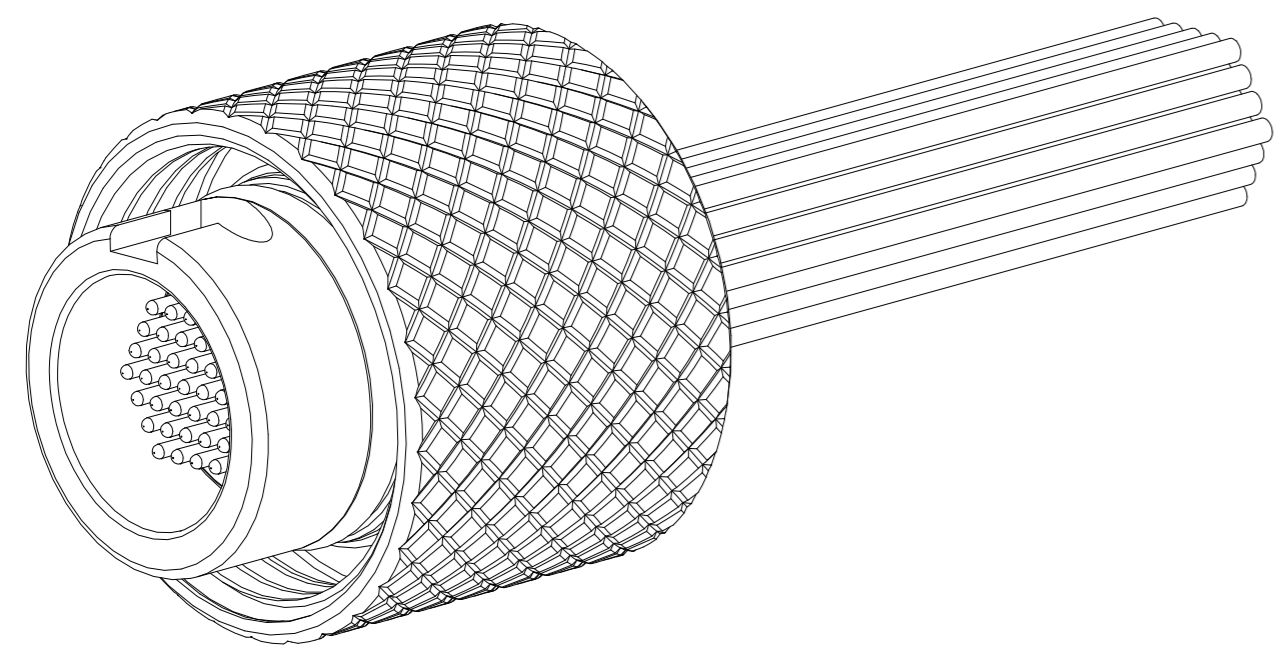


THIS DRAWING IS UNPUBLISHED. RELEASED FOR PUBLICATION
 © COPYRIGHT - By - ALL RIGHTS RESERVED.

LOC		DIST		REVISIONS			
P	LTR	DESCRIPTION	DATE	DWN	APVD		
	H	UPDATE PER ECO-11-013056	23 JUN 11	CAS	MKS		



1 CONNECTOR BODY AND COUPLING NUT MATERIAL: 6061-T6 ALUMINUM, ELECTROLESS NICKEL PLATED PER SAE-AMS-C-26074 OR SAE-AMS-2404E
 LOCKING RING MATERIAL: BERYLLIUM COPPER, ELECTROLESS NICKEL PLATED PER SAE-AMS-C-26074 OR SAE-AMS-2404E
 INSULATOR MATERIAL: LIQUID CRYSTAL POLYMER (LCP) PER ASTM D5138 OR POLYPHENYLENE SULFIDE (PPS) PER ASTM D4067
 O-RING MATERIAL: FLUOROSILICONE

2 WIRE TERMINATION: 28 AWG SOLID, 30 AWG STRANDED WIRE OR SMALLER
 3 LUBRICATE O-RING WITH PARKER SUPER-O-LUBE PRIOR TO INSTALLATION
 4 THIS DRAWING ALSO IDENTIFIED AS NANONICS 303-0034

THIS DRAWING IS A CONTROLLED DOCUMENT.		DWN	M. STORRY	20 MAY 99		TE Connectivity		
DIMENSIONS: INCHES		CHK	E. PAULUS	11 JUN 99		NAME		
		APVD	S. KAIN	27 JAN 00		PLUG ASSEMBLY, CIRCULAR, THREADED COUPLING, METAL, 44 POSITION		
TOLERANCES UNLESS OTHERWISE SPECIFIED:		PRODUCT SPEC		SIZE CAGE CODE DRAWING NO RESTRICTED TO				
0 PLC ± - 1 PLC ± - 2 PLC ± .010 3 PLC ± .005 4 PLC ± - ANGLES ± 1°		APPLICATION SPEC		A2 0PJN9 C-1589065		SCALE 6:1 SHEET 1 OF 1 REV H		
MATERIAL SEE NOTES		FINISH SEE NOTES		WEIGHT -		CUSTOMER DRAWING		