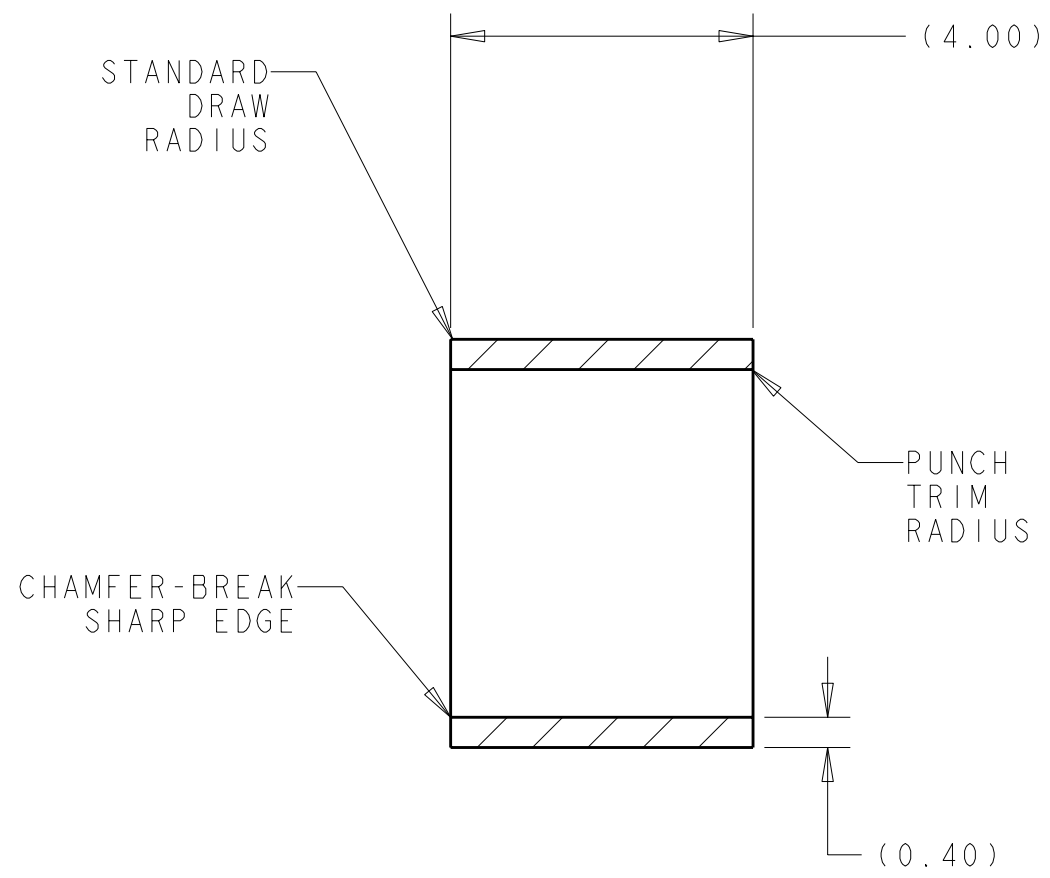
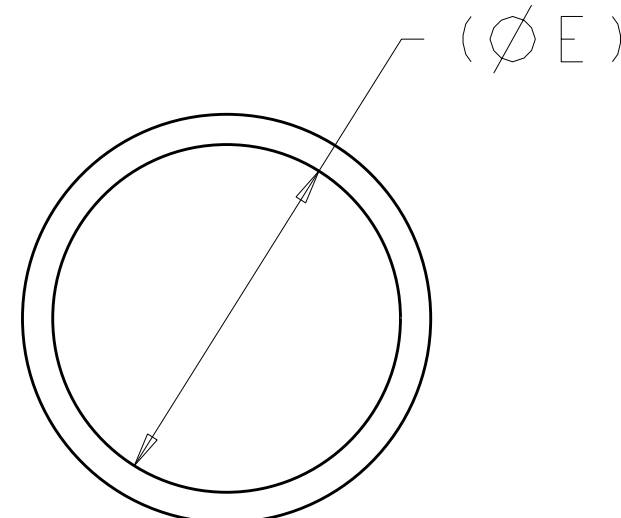
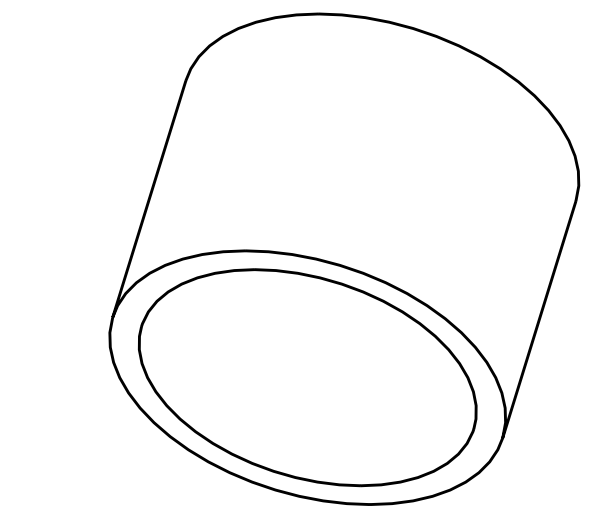


THIS DRAWING IS UNPUBLISHED. RELEASED FOR PUBLICATION 20
 © COPYRIGHT 20 BY TYCO ELECTRONICS CORPORATION. ALL RIGHTS RESERVED.

LOC	DIST	REVISIONS					
		P	LTR	DESCRIPTION	DATE	DWN	APVD
HV	00		A	ECO-08-001077 RELEASE	14JAN2008	DS	AT



- MATERIAL
TYPE: C19400
- FINISH
UNDERPLATE TYPE:
UNDERPLATE THICKNESS: 0.0005-0.0013
TOP PLATE TYPE: TIN
TOP PLATE THICKNESS: 0.0013-0.0025

3. PARTS MUST BE FREE OF EXCESSIVE BURRS, CRACKS, OR OTHER VISUAL IMPERFECTIONS THAT MAY AFFECT FIT FORM OR FUNCTION

4. PRELIMINARY PART—NOT RELEASED FOR PRODUCTION

4	5.80	TBD	INNER FERRULE SIZE D	1587583-4
4	5.40	TBD	INNER FERRULE SIZE C	1587583-3
4	5.00	TBD	INNER FERRULE SIZE B	1587583-2
	4.60	0.19	INNER FERRULE SIZE A	1587583-1
	Ø E	WT (gms)	DESCRIPTION	PART NO

<small>THIS DRAWING IS A CONTROLLED DOCUMENT FOR TYCO ELECTRONICS CORPORATION IT IS SUBJECT TO CHANGE AND THE CONTROLLING ENGINEERING ORGANIZATION SHOULD BE CONTACTED FOR THE LATEST REVISION.</small>		DWN 06SEP2007 D SIMPSON		Tyco Electronics Harrisburg, PA 17105-3608	
DIMENSIONS: mm		TOLERANCES UNLESS OTHERWISE SPECIFIED: 0 PLC ±- 1 PLC ±0.5 2 PLC ±0.13 3 PLC ±0.013 4 PLC ±0.0001 ANGLES ±-		CHK 06SEP2007 A TYLER	
		MATERIAL NOTED		FINISH -	
PRODUCT SPEC -		APPLICATION SPEC -		NAME INNER FERRULE HVA CABLE SHIELD	
WEIGHT TABLE		SIZE A3		CAGE CODE 00779	
CUSTOMER DRAWING		DRAWING NO C-1587583		RESTRICTED TO -	
SCALE 10:1		SHEET 1 OF 1		REV A	