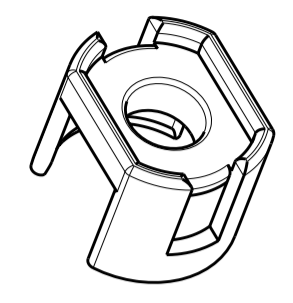
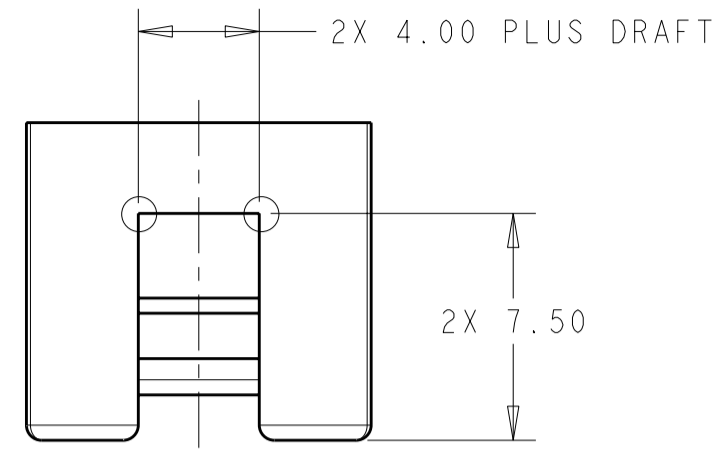
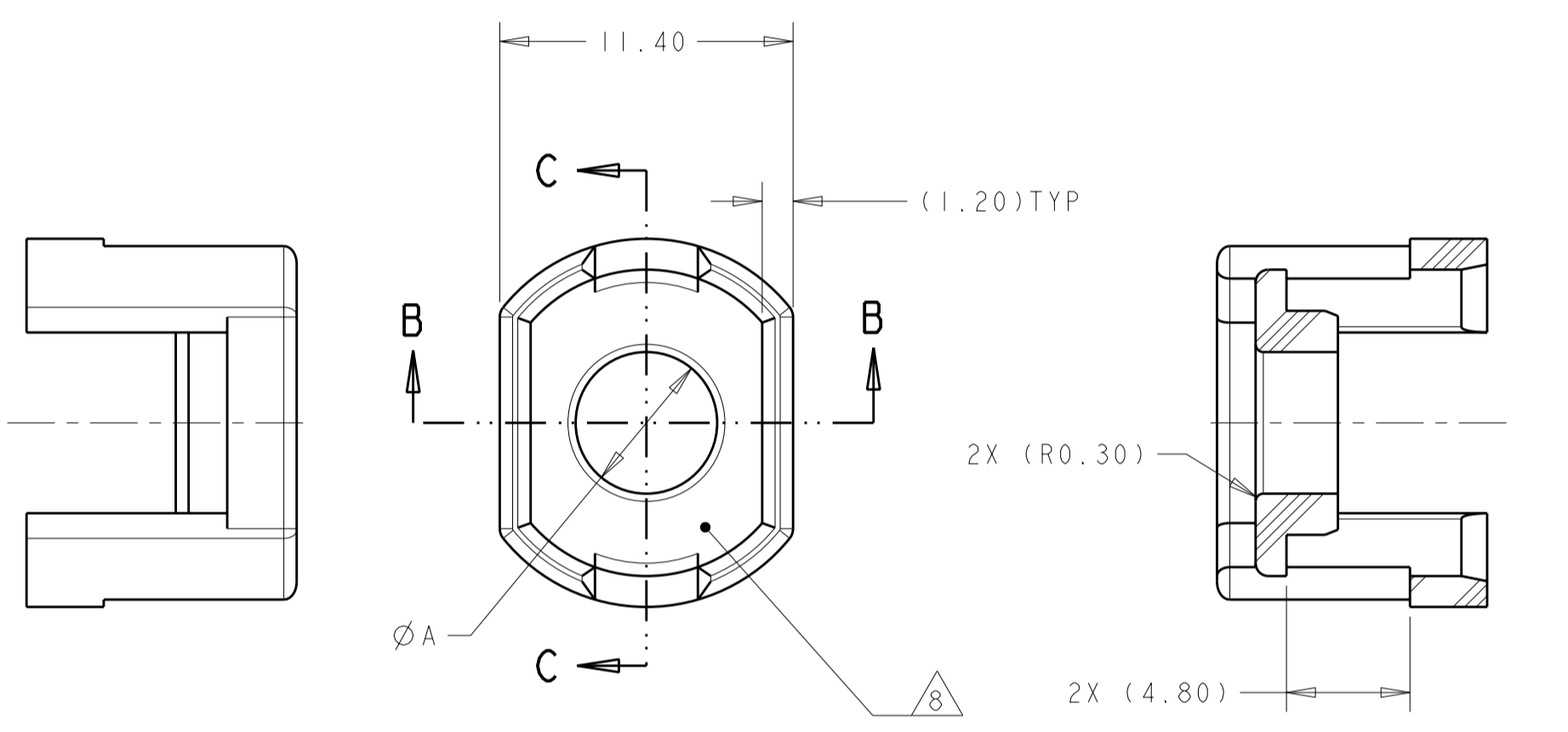


THIS DRAWING IS UNPUBLISHED. RELEASED FOR PUBLICATION 20
 © COPYRIGHT 20 BY TYCO ELECTRONICS CORPORATION. ALL RIGHTS RESERVED.

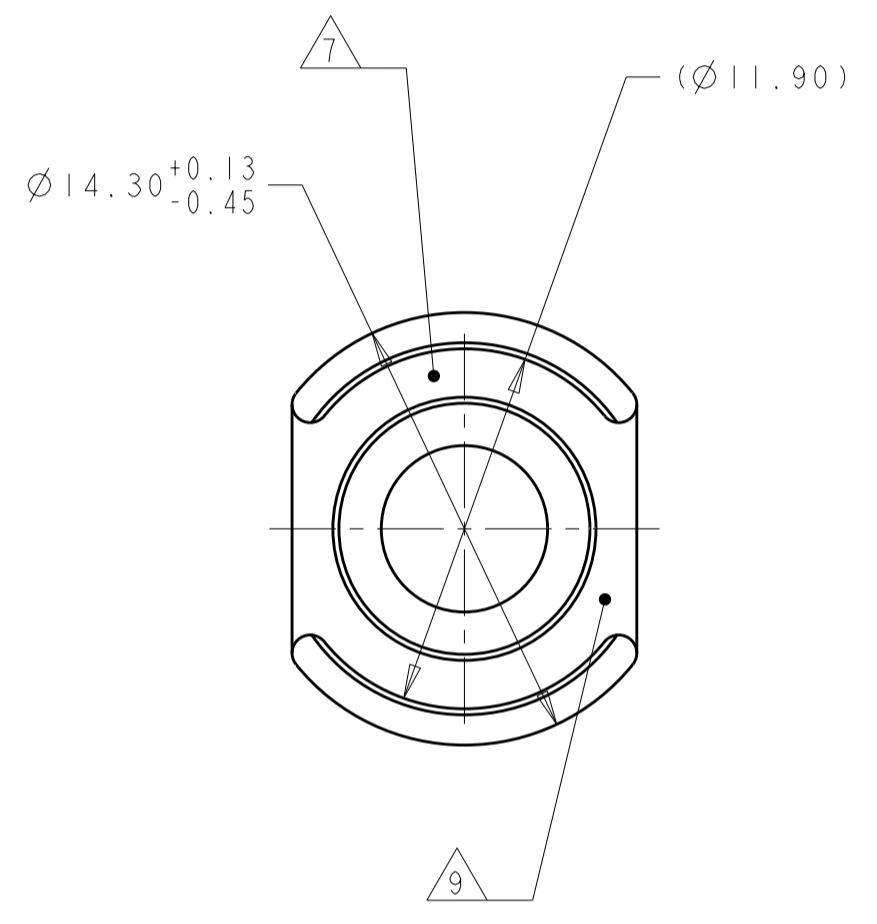
LOC	DIST	REVISIONS			
P	LTR	DESCRIPTION	DATE	DWN	APVD
	A	ECO-08-000738	11JAN2008	DS	AT
	AI	ECO-11-001556	24JAN2011	AD	AD



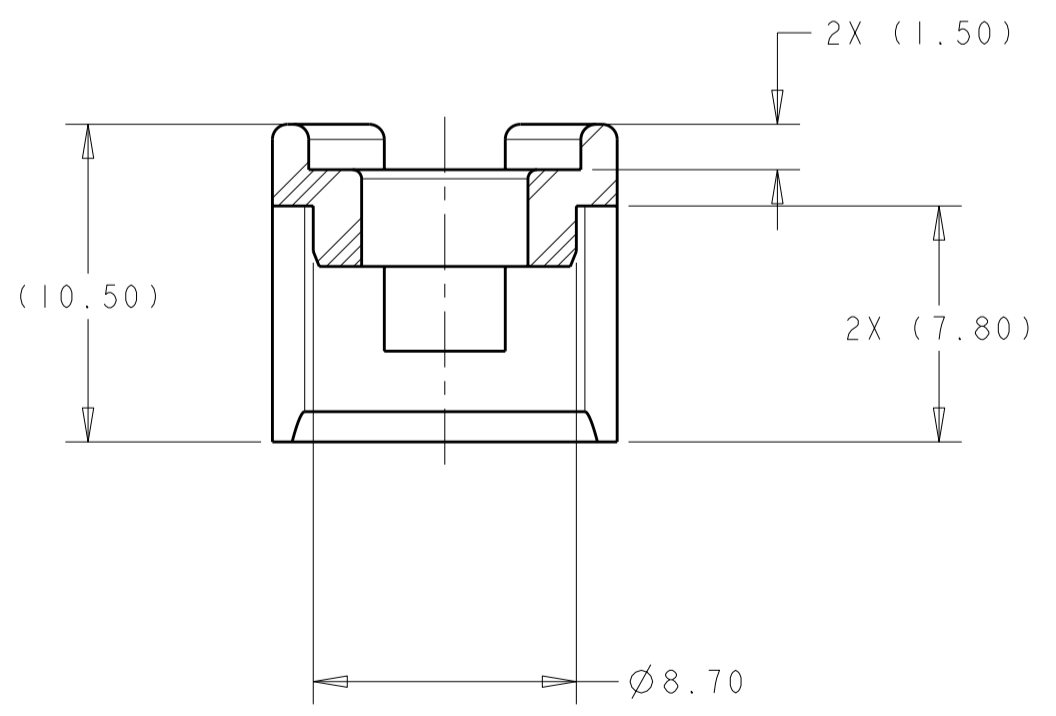
SCALE 2:1



SECTION C-C



- MATERIAL:
TYPE: PA6/6 35%GF
COLOR: ORANGE
 - DRAFT ALLOWABLE WITHIN TOLERANCE
 - FEATURES DENOTED BY REFERENCE DIMENSIONS MUST BE INSPECTED FOR PRESENCE
 - PART MUST BE FREE OF EXCESSIVE FLASH, MIS-MATCH, SINK MARKS, OR OTHER VISUAL IMPERFECTIONS THAT MAY AFFECT PRODUCT FIT OR FUNCTION
 - EJECTOR PIN MARK DEPTH 0.25 MAX
 - (R0.30 MAX) ALLOWABLE ON ALL CORNERS SHOWN AS SHARP UNLESS OTHERWISE NOTED
- 7 APPLY TYCO ELECTRONICS PART NUMBER RAISED (0.05) ON (0.05) RECESSED AREA
- 8 RECYCLE CODE ">PA66-GF35<" TO BE SHOWN IN THIS AREA RAISED (0.20) ON (0.20) RECESSED AREA
- 9 MOLD CAVITY ID TO BE SHOWN IN THIS AREA RAISED (0.20) ON (0.20) RECESSED AREA
- 10 REMOVED
11. ALL GATES, PARTING LINES, AND EJECTOR LOCATIONS MUST BE APPROVED BY TYCO ELECTRONICS ENGINEERING PRIOR TO TOOL FABRICATION
- 12 PRELIMINARY PART—NOT RELEASED FOR PRODUCTION



SECTION B-B

ØA	DESCRIPTION	PART NO
7.30	CABLE SEAL RETAINER, HVA, SIZE D	1587525-4
6.60	CABLE SEAL RETAINER, HVA, SIZE C	1587525-3
5.80	CABLE SEAL RETAINER, HVA, SIZE B	1587525-2
5.50	CABLE SEAL RETAINER, HVA, SIZE A	1587525-1

THIS DRAWING IS A CONTROLLED DOCUMENT FOR TYCO ELECTRONICS CORPORATION. IT IS SUBJECT TO CHANGE AND THE CONTROLLING ENGINEERING ORGANIZATION SHOULD BE CONTACTED FOR THE LATEST REVISION.		DWN D. SIMPSON 06SEP2007	Tyco Electronics Harrisburg, PA 17105-3608	
DIMENSIONS: mm		CHK A TYLER 06SEP2007	NAME CABLE SEAL RETAINER, HVA	
TOLERANCES UNLESS OTHERWISE SPECIFIED: 0 PLC ± 1 PLC ±0.5 2 PLC ±0.13 3 PLC ±0.013 4 PLC ±0.0001 ANGLES ± FINISH		APVD -	SIZE A200779	
MATERIAL NOTED		PRODUCT SPEC -	DRAWING NO C-1587525	
		APPLICATION SPEC -	RESTRICTED TO -	
		WEIGHT -	SCALE 4:1	
		CUSTOMER DRAWING	SHEET OF REV AI	